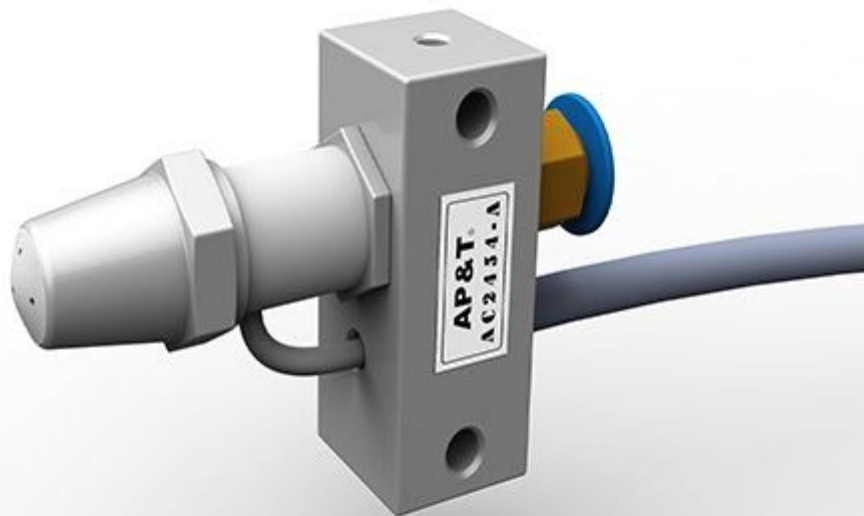




## AP-AC2454-A Ionizing Air Nozzle

AP-AC2454-A ionizing air nozzle is one of the static eliminator products produced by Shanghai Anping (AP&T). It is a fast and high efficient device design for removing static on object surface.

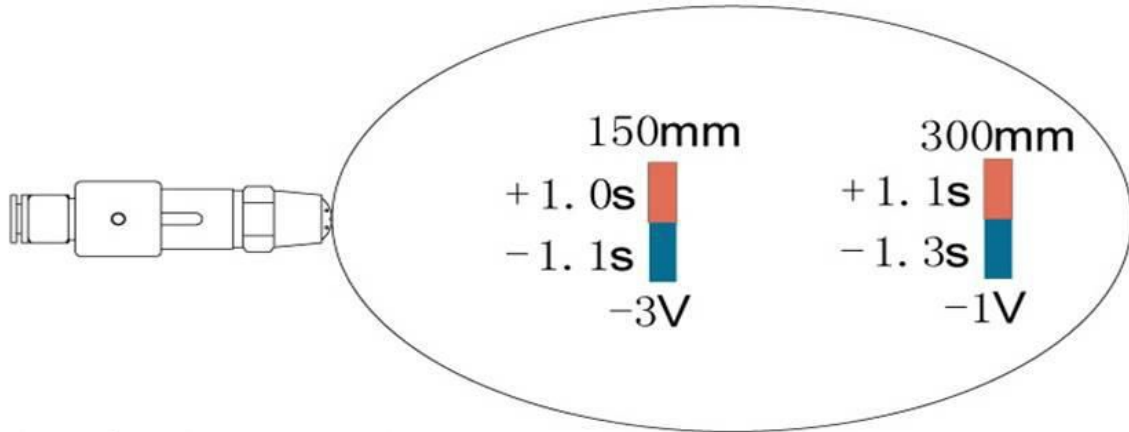
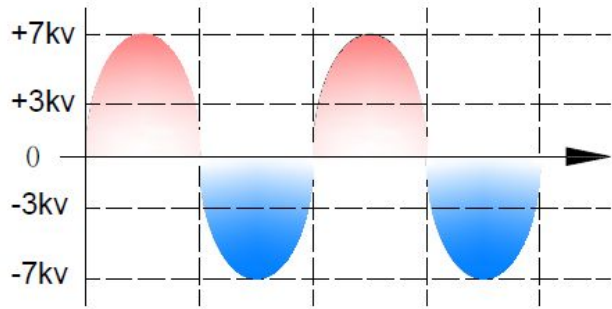
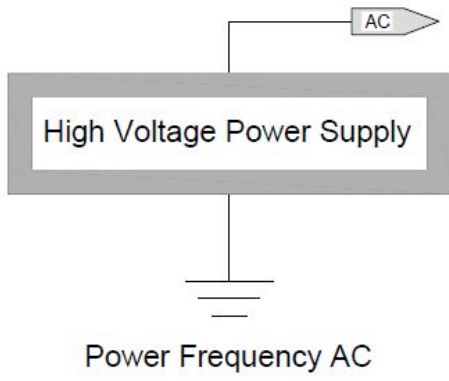
AP-AC2454-A ionizing air nozzle applies the modern positive and negative ion interchange technology. It generates a symmetrical ion group on one electrode and transmits the ion to the object surface thus neutralize static by compressed air. It can eliminate the static on object surface efficiently and keep the remaining static at low level.



### IONIZING AIR NOZZLE

#### ◆Product Feature

- 1、 Small size and easy installation
- 2、 Excellent electrical property data and good performance
- 3、 Static eliminating while cleaning the surface dust
- 4、 Safe and reliable working under high voltage and micro current
- 5、 With AP-AC2455 series high voltage power supply



◆ Industry Applications

Widely used in electronics, optoelectronics, semiconductors, plastics, films and printing industries

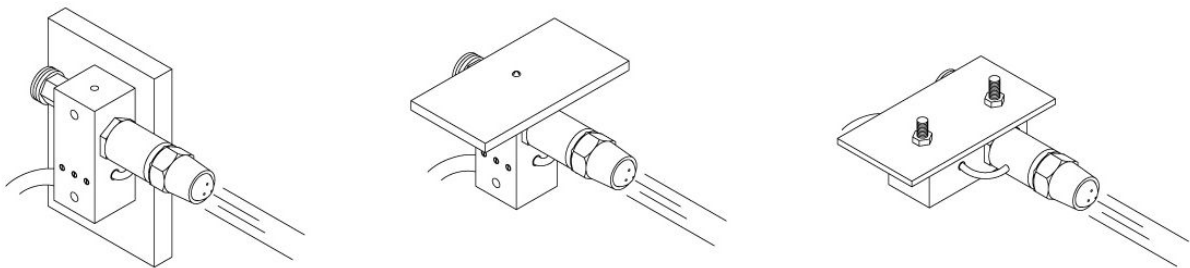
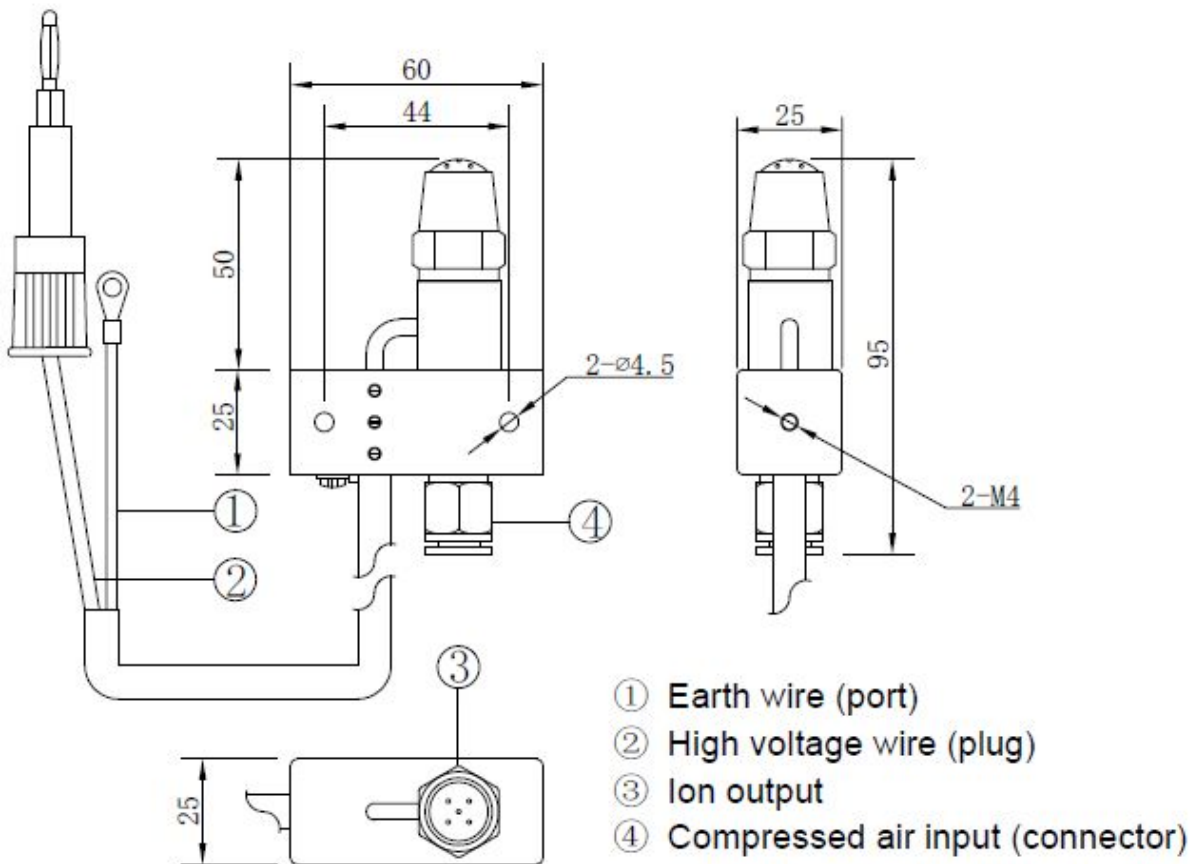


## Specification

Model	AP-AC2454-A
Input voltage	AC 220V/50Hz or 110V/60Hz (with external power adapter)
Working voltage	AC2800V
Power	20W
Working distance	150—300mm
Ion balance	$\leq  \pm 15V $ (150mm from air nozzle)
Discharge speed	$\leq 1.5S$ (150mm from air nozzle)
Noise	<65db (150mm from air nozzle)
Medium	Compressed air
Air pressure	0.05 - 0.6MPA
Working temperature	0°C - 50°C
Air connector	$\phi 8mm$ (Customize available)
Cord length	3M
Power generator	AP-AC2455-28A/B
Dimension	60*25*25mm (L*W*H)
Net weight	400g

Gross weight

480g



### Maintenance

(1) Take off the air cap in front of the air nozzle and observe the head of the alloy electrode. Change the electrode when it becomes obtuse while not sharp to guarantee the effectiveness of the static removing.

(2) If the indication light keep off user should stop operating the device and ask for maintenance. Device can only be used when the generator is under normal condition.

Warranty and After Sales Service

(1)AP-AC2454-A ionizing air nozzle are strictly inspected before ex-work and match all the related technical standard indicated in this manual.

(2)AP&T PROMISE : Repair or change any damaged parts caused by quality reasons free of charge within one year from the date of purchase after we confirm the quality issue.

(3)Above promise is not fit for the following situation : Alternation of the device, wrongly used, incorrect installation, abasement, negligence, accidental damage, wrong input voltage, unpacking and repacking by user itself or maintain by other unauthorized service department.

(4)Shanghai Anping is free from any related responsibility of using the product.

#### Caution

(1) User must install air filter for input air to guarantee the input air clean and dry and avoid the wet air get into the gun head thus cause short circuit in high voltage power generator.

(2) In order to guarantee the nozzle to work with good technical feature, user should clear the sediment on electrode sharp slightly with brush pen every 5-7 days under normal operation. (Must be done 10 minutes after power is switched off).