

**AP&T<sup>®</sup>**

**Power frequency AC high voltage  
power supply**

**AP-AC2455**

**User manual**

**Shanghai Anping Static Technology Co.,ltd**

3rd Floor, Building 27, 69 Guilu Road, Shanghai, China

Tel: 021-64517676

Fax: 021-64517673

# Power frequency AC high voltage power supply AP-AC2455



## Product Overview

AP-AC2455 series power supply is one of the series of high voltage power supply for static eliminator produced by AP&T. It is used to control the static electricity on the surface of the target, so as to achieve the purpose of electrostatic safety protection of the object to be discharged. A power frequency AC high voltage power supply, which is used for the special configuration power supply of Anping's AC ion bar, ion wind gun, ion wind snake and other products.

## The product features

1. It has overvoltage and short circuit protection characteristics.
2. High voltage and micro current work.
- 3, plug-in interface, easy to operate and install.
- 4, excellent performance, safe and reliable.

## Performance parameters

Type	AP-AC2455 -28A/B
Input voltage	AC220V/50Hz or AC110V/60Hz
Output voltage	AC2800V /AC3500V/ AC4000V/ AC5600V
Power	20W
Operating temperature	-10°C—+50°C
Working humidity	<85%RH
Net weight	2600g±250g (AP-AC 2455-28-35-40-56)
Gross weight	3100g±300g (AP-AC 2455-28-35-40-56)
Dimensions	184*118*105 (L*W*H)

## Security warning

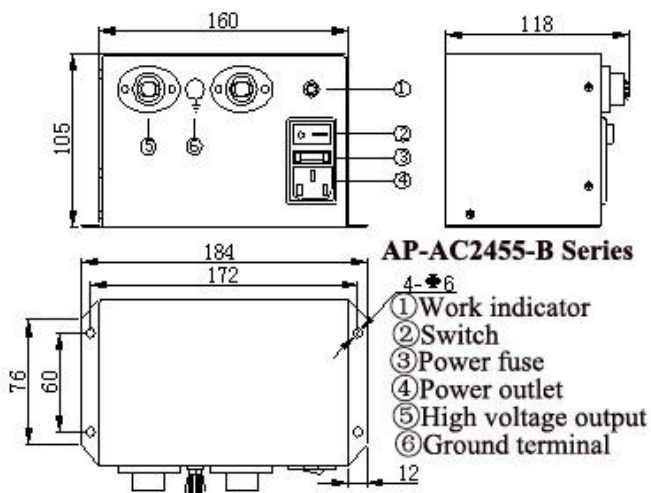
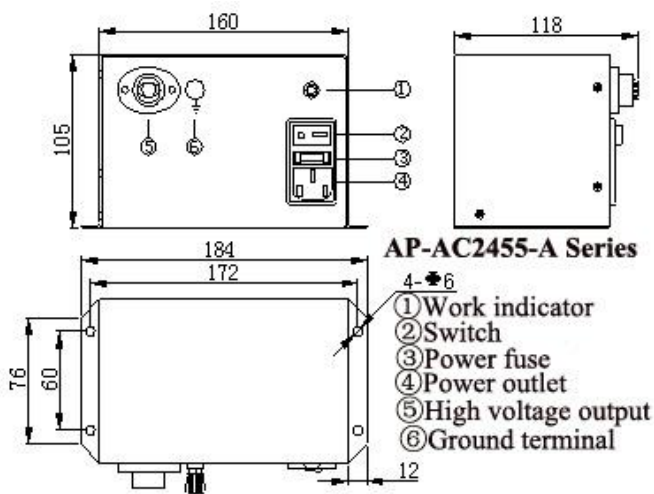
1. The working input power of the power box must be reliably connected to the grounding line of the power supply line.
2. Do not use the device in a >85% humidity environment.
3. It is strictly forbidden to use this equipment in flammable and explosive environment.
4. Internal maintenance and repair must be carried out by professionals.

## Installation and maintenance

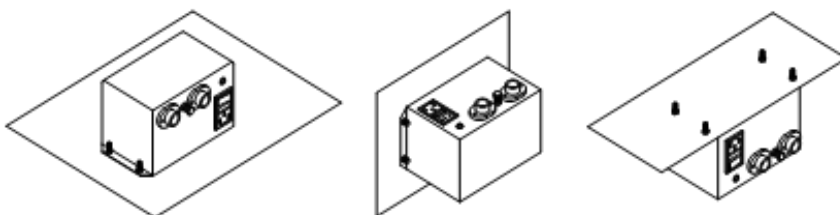
### 1. Installation and use instructions:

- (1) Plug the power cord into the mains outlet.
- (2) Insert the high voltage connector of the static elimination device into the high voltage output socket of the power supply and connect its ground terminal to the grounding stud of the high voltage power supply.
- (3) Turn on the power switch, the switch indicator light shows the power supply.

### 2. Panel function and structure size diagram:



### 3. Installation diagram:



## **Power maintenance:**

If the red switch working indicator on the high-voltage power panel is off, it should be stopped and checked by professional maintenance personnel. It can be used after the electrical performance indicators are normal.

## **After-sales service**

1. AP-AC2455 series power frequency AC high voltage power supply undergoes rigorous testing and aging treatment before leaving the factory, and the performance fully meets the relevant indicators marked in the instructions for use.

2. AP&T makes the following commitments to the user: Within one year from the date of purchase, the company will repair or replace any parts that have been inspected by the company for free. However, this commitment does not apply to the following conditions: equipment is misused, installed; negligence during use, accidental damage; self-modification, disassembly, or other non-Anping authorized service department.

3. AP&T shall not be liable for any obligation or liability of the product user except for repair or replacement of parts within the scope of this regulation.

## **Attachment**

1.Warranty card    2.Manual    3.Certificate