



Professional Electrostatic Generator Ionizer Power Supply Approved CE



AP-AC2455 High Voltage Static Discharge Power Supply 28W AC Power Generator

Working Principle:

The electrostatic generator is consisted by electrostatic transmitter (rods) and DC high voltage power supply. DC high voltage power supply for electrostatic transmitter (stick) to negative (or positive) and high pressure, make the electrostatic transmitter (rods) emission negative (or positive) and object (artifacts) with electric charge (artificial charged). The higher the voltage, the greater the effective range.

Features

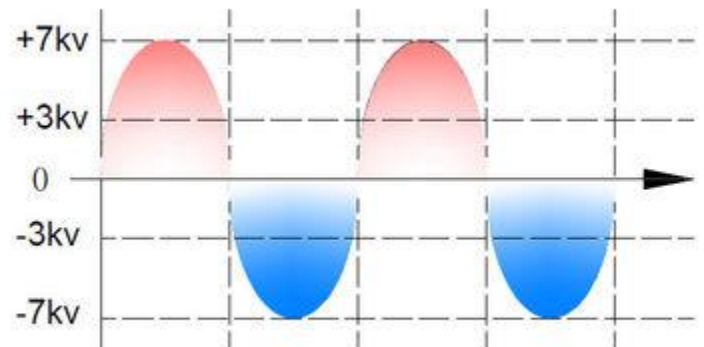
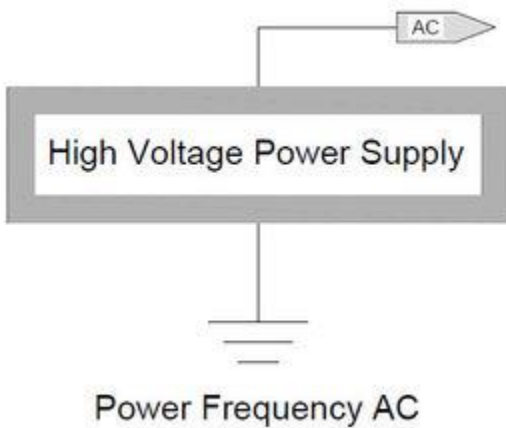
- 1, Overvoltage and short circuit protection
- 2, Excellent performance, safe and reliable

- 3, Easy operation strong environmental adaptability
- 4, Quick-released interface, convenient to install
- 5, Stable and safe high voltage

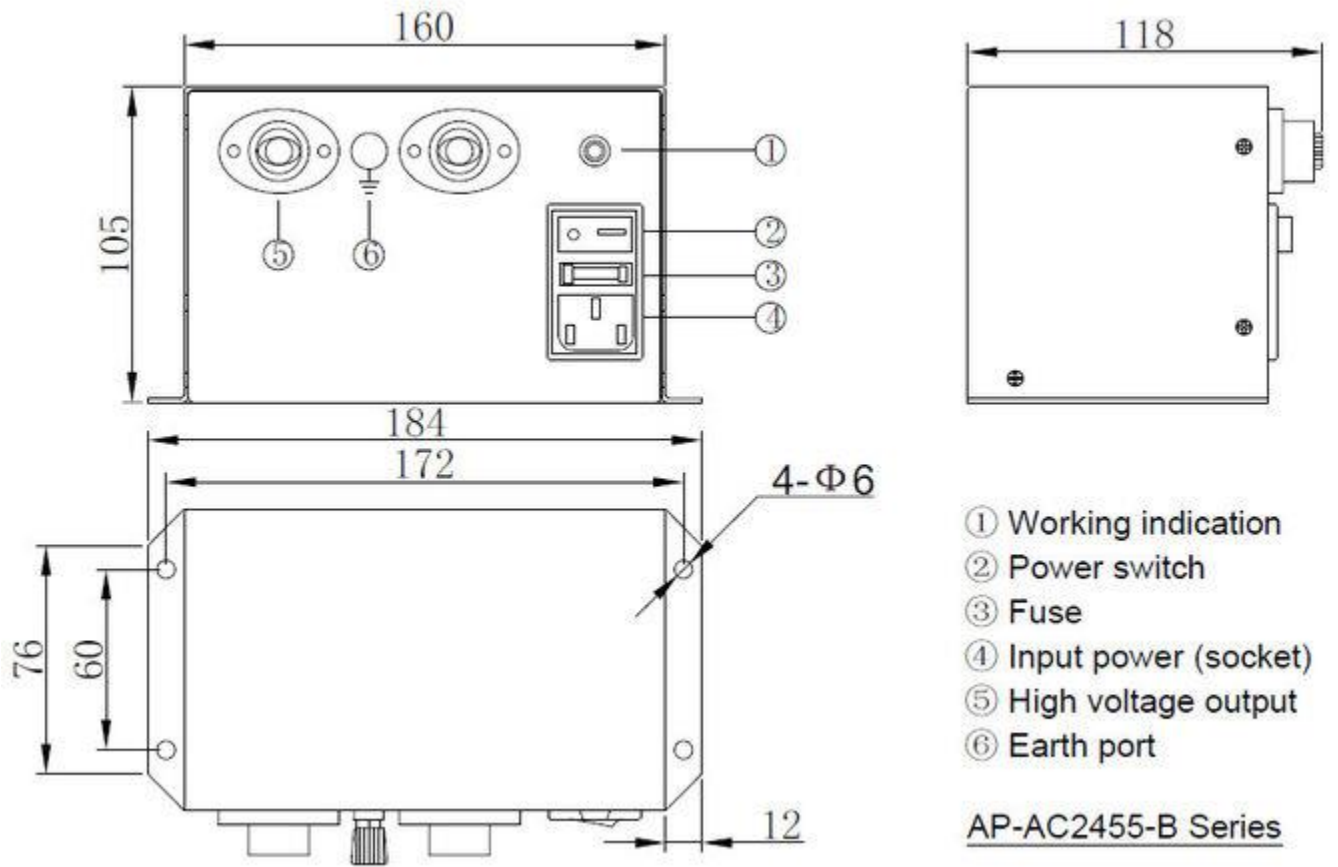
Specification

Model	AP-AC2455-35	AP-AC2455-40	AP-AC2455-56
Input voltage	AC220V/50Hz 110V/60Hz	or AC220V/50Hz 110V/60Hz	or AC220V/50Hz 110V/60Hz
Working voltage	AC3500V	AC4000V	AC5600V
Power	25W	28W	28W
Working temperature	0-50°C	0-50°C	0-50°C
Working humidity	≤85%	≤85%	≤85%
Dimension	184*118*105mm (L*W*H)	184*118*105mm (L*W*H)	184*118*105mm (L*W*H)
Output terminal	A:one group B:two groups	A:one group B:two groups	A: one group B: two groups
Working way	Continuity	Continuity	Continuity
Gross weight	2730g(including power cord)	2730g(including power cord)	2730g(including power cord)
Power Supply	3.120g	3.120g	3.120g
Configurable Product	AP-AC2456 AP-AC2454-A AP-AC3301	AP-AC5601	AP-AC5701 AP-AC5702

Working Ways(AC)



Dimension



Safety warning

- 1, Input power must be earthed reliable.
- 2, Do not use this equipment in the environment where the humidity is greater than 85%.
- 3, It is strictly prohibited to use this equipment in flammable and explosive environment.
- 4, Internal maintenance and repair must be carried out by professionals

Positioning

