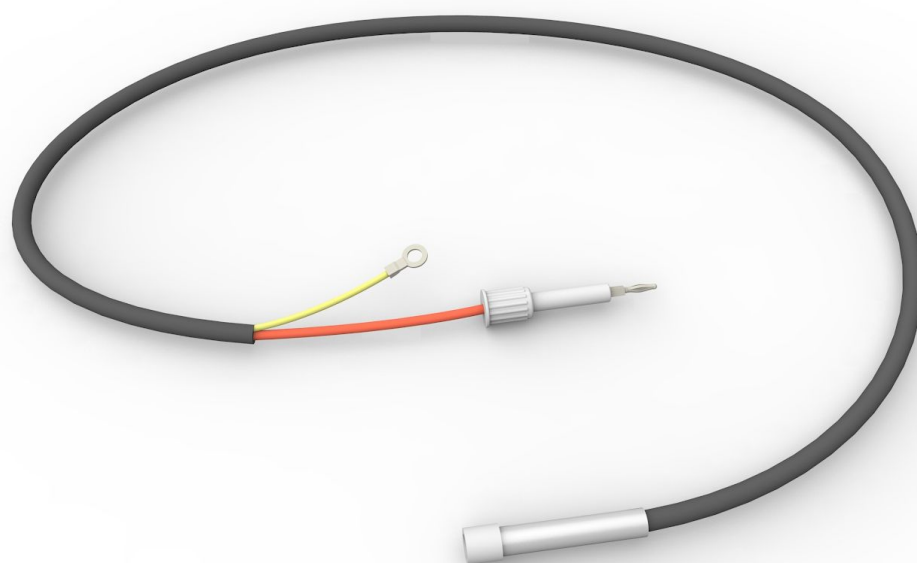




AP-AC3301 Ion Pen



Features

1. Pen shaped and vertical static eliminator
2. Excellent electrical property data by applying the newest static eliminating technology
3. Fast air ionization, great quantity of ion haloes and long lifetime
4. Convenient to install, flexible fixing
5. Working under high voltage and micro current with good safety performance

Industry Applications

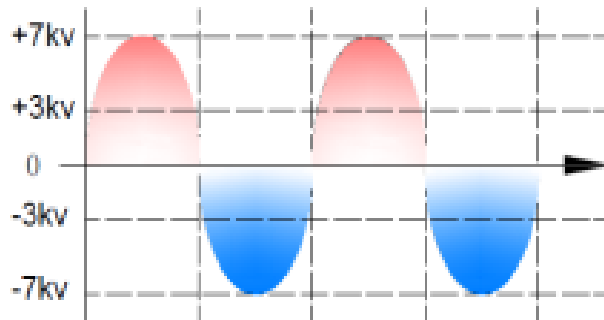
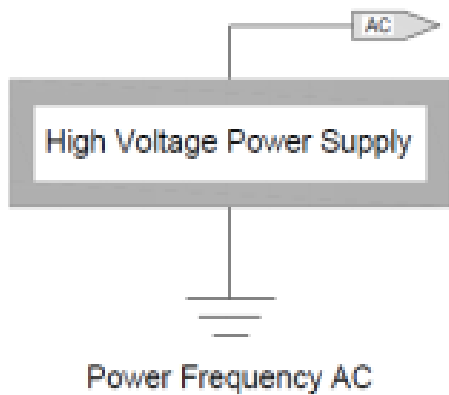
Wildly used in electronics, optoelectronics, semiconductors, plastics, films and printing industries

Specification

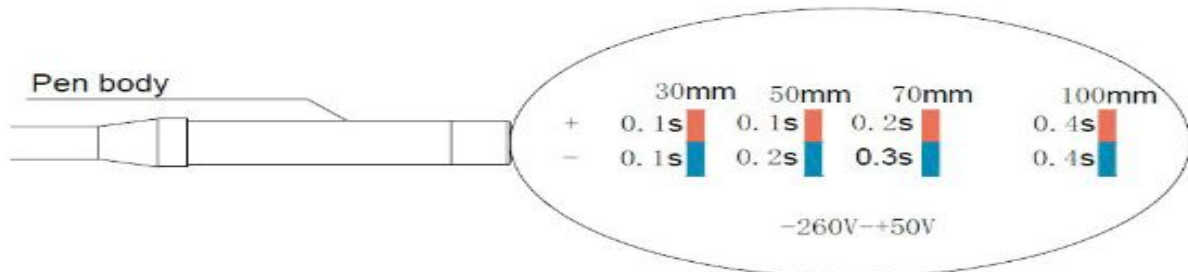
Item	Ion pen
Model	AP-AC3301
Working Voltage	DC4000V
Power	20W
Ion balance	-15~+15V
Discharge speed	≤0.05s

Working distance	150-300mm
Wire length	2.5m(customized available,5m as longest)
Power Supply	AP-AC2455-35
Bar length	customized available

Working Ways(AC)



Elimination Effect



Testing instrument :3M-711 Static tester

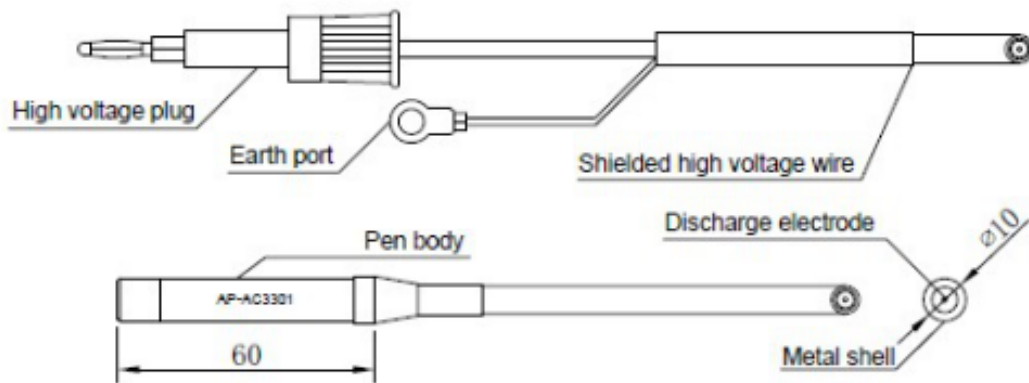
Testing standard :SJ/T10694-2006,GB/T14437-97

Testing voltage :±1000 — ±100V Attenuation

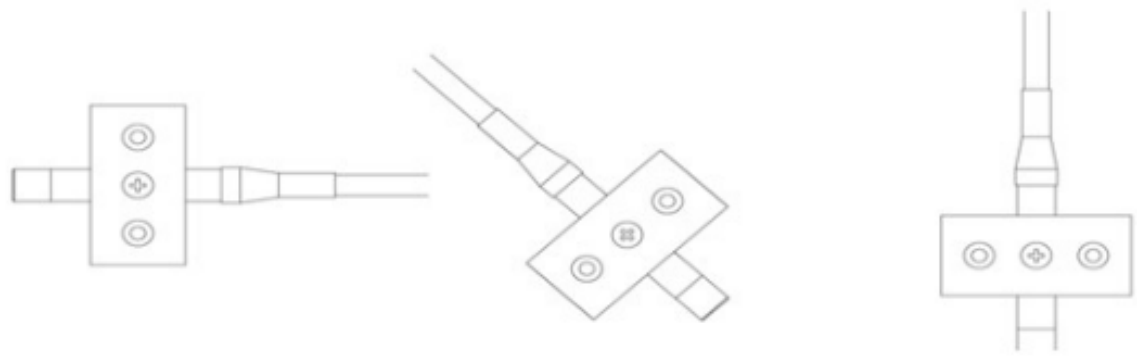
Testing environment :Humidity30%—50% Temperature20±5°C

Testing Air pressure:0.5MPa

Dimension



Positioning



Q&A

Payment Term	T/T, L/C, West Union, Paypal
Delivery Time	7 to 10 days after confirm the order
Warranty	2 years after delivery
Package	Carton

Anping's Qualification

- A. 15-year's experience in static industry.
- B. Customers from more than 120 countries.
- C. Successful cases from dozens of countries.
- D. Professional team offers technical support to customers.
- E. 24hours online services from our professional foreign trade department.
- F. All our game machines passed the CE certificate.
- G. Our technicians go to different countries to help customers solve problems.

Choosing Anping, you will get not only the products, but also the better service, and better operating mode.

About Anping

Shanghai Anping Static Technology Co.,Ltd was established in 1999 which is the first Hi-Tech enterprise researching and manufacturing DC ionizer in China.

Our AP&T brand series products include ionizing air blower, ionizing air gun, ion bar, ion nozzle with various specifications are widely used in semi conduct, encapsulation, opto-electrical, electronics, communication, spray finishing, printing, textile, pharmaceutical equipments, construction material, injection molding industries. Our products have won good reputation of our users and have been exported to Japan, Korean, South East Asia, Europe , North and South America.

As councilman of China Electronics Industry Association Anti-static Equipment Branch, we devote our efforts in providing comprehensive perfect solution of static control and eliminating and serve our customers with our strong technical strength and rich industry experience. We are ready to supply you over valued products and technology. We'll be your reliable partner in ESD field.

Detail Image





