

AP&T®

Power Supply AY1502



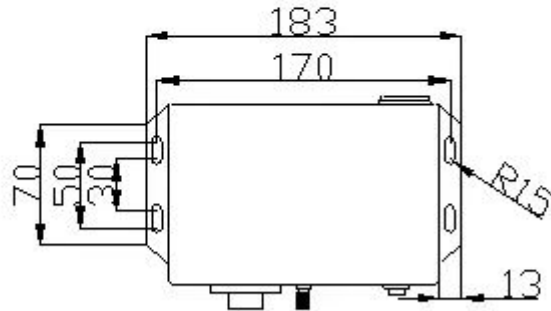
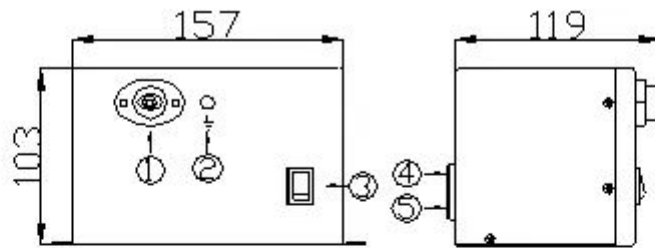
Product Feature

- Ensure the stability of output with a energy limited components
- Work under high voltage and micro current
- Plug-in interface, easy to install and operate
- Excellent performance, safe and reliable

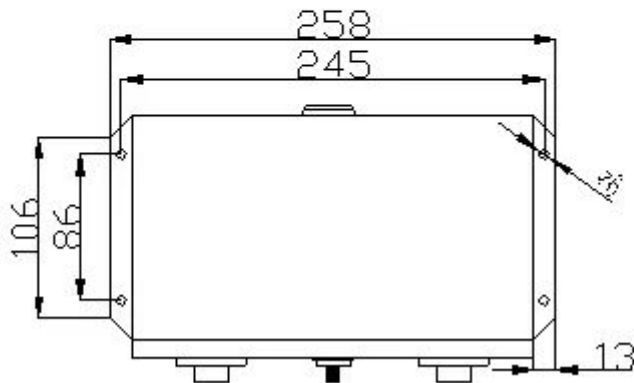
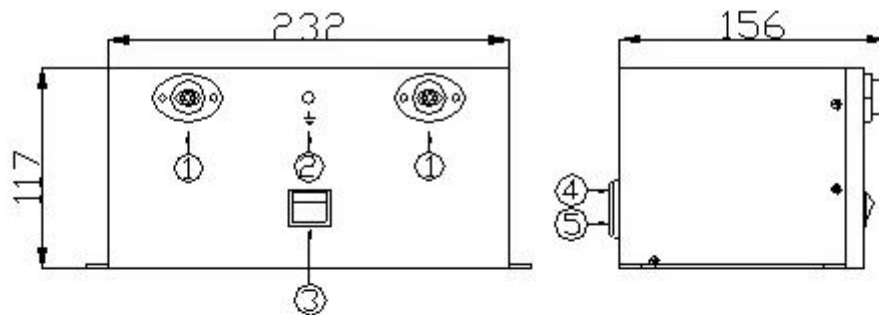
Specification

Model	AP-AY1502/2502
Input voltage	AC220V/50Hz or AC110V/60Hz
Output voltage	AC7000V
Power	20W
Working temperature	-10°C—+50°C
Working humidity	<85%RH
Net weight	2850g(AP-AY 1502)
	5300g(AP-AY 2502)
Gross weight	3350g(AP-AY1502)
	5800g(AP-AY2502)
Dimension	157*119.5*103(L*W*H)(AP-AY1502)
	232 *156 * 117(L*W*H)(AP-AY2502)

Outline Dimensional Drawing



- 1 High voltage output
 - 2 Earth connection
 - 3 Power switch
 - 4 Power input (socket)
 - 5 Fuse
- AP-AY1502** Power Supply



- 1 High voltage output
 - 2 Earth connection
 - 3 Power switch
 - 4 Power input (socket)
 - 5 Fuse
- AP-AY2502** Power Supply