

AP&T[®]

Double Power Supply Anti Static Device Ionizer Bar
Generator 20W For AP-AB1103 AP-AB1108 Series





◆Features

- 1, Energy-limited components to ensure stable output.
- 2, High voltage, micro current operation.
- 3, Plug-in interface, easy to operate and install.
- 4, Excellent performance, safe and reliable.

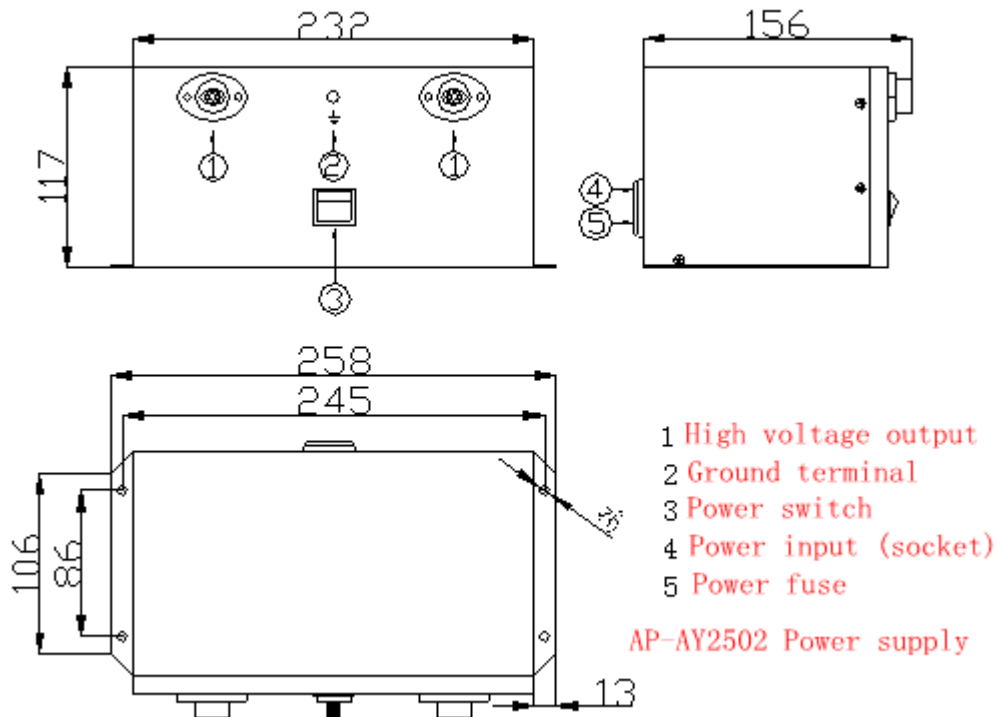
◆Specification

Model	AP-AY2502
Input voltage	AC220V 50Hz or AC110V 60Hz(customized)
Output voltage	AC7000V
Power	20W
Working temperature	-10°C - 50°C
Working humidity	≤ 85%RH
Net weight	5300g
Gross weight	5800g
Dimension	232 *156 * 117mm(L*W*H)

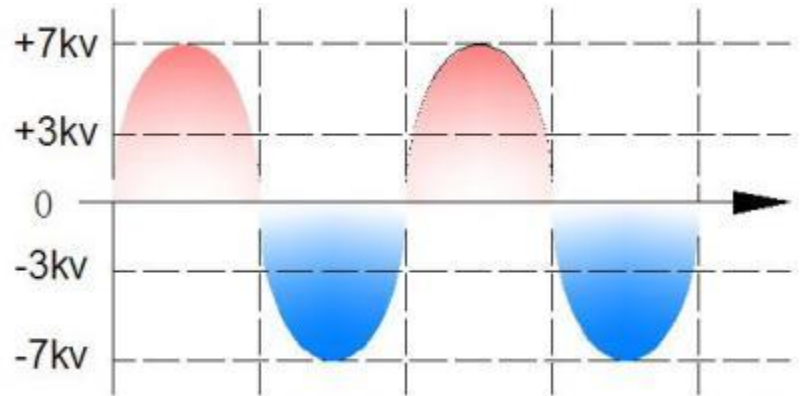
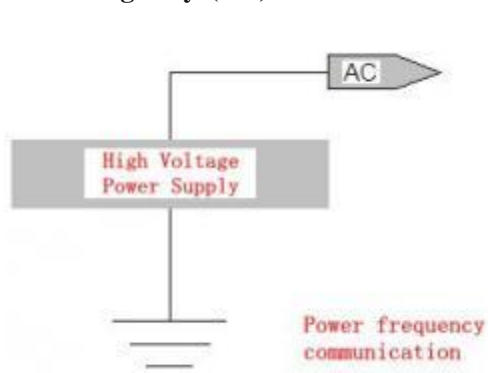
◆ Installation and usage

1. Plug the power cord into the mains socket.
2. Insert the high-voltage connector of the electrostatic elimination device into the high-voltage output seat of the power supply, and connect its grounding terminal to the high-voltage power grounding stud.
3. Turn on the power switch, and the switch indicator is on to show the power work.

◆outline dimensional drawing



◆ Working Ways(AC)



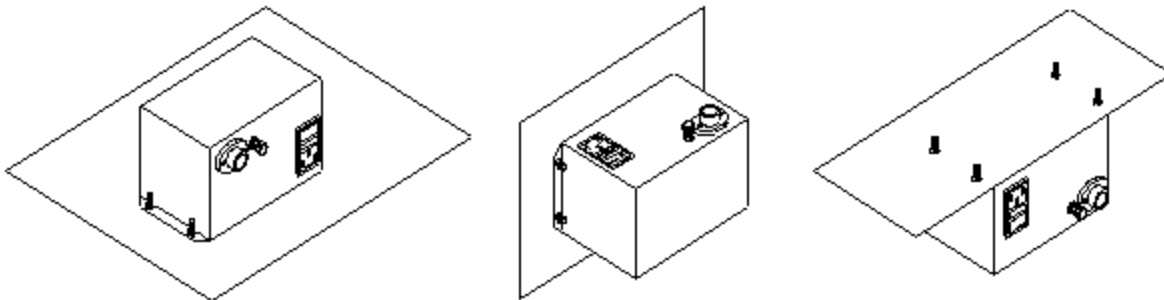
◆ Power maintenance

If the red switch working indicator on the high-voltage power panel is not on, it should be stopped and repaired by professional maintenance personnel. It can only be used after the test electrical performance index is normal.

◆ Friendly reminder

1. The working input power of the power box must be reliably connected to the grounding line of the power supply line.
2. Do not use the device in a more than 85% humidity environment.
3. It is strictly forbidden to use this equipment in flammable or explosive environment.
4. Internal maintenance and repair must be carried out by professionals.

◆ Installation method



Application Image



