

# AP&T<sup>®</sup>

## Electrostatic Inductive Ionizing Air Nozzle Static Eliminating For Offset Machine



### *Features*

- 1.Small size,convenient installation,flexible operation and reliable performance
- 2.Static eliminating while cleaning the surface dust

- 3. Controlled by far automatic and inductive IR circuit without hand operation
- 4. Integration of the inductive control section and power supply

**Industry Applications**

Used in electronics, injection molding, printing, film and pharmaceutical machinery industries

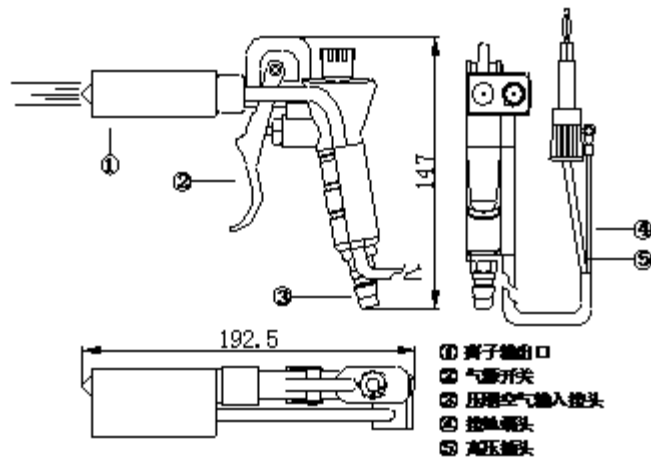
**Specificion**

|                       |  |
|-----------------------|--|
| Model                 | AP-AZ3201                                      |
| Input voltage         | AC220V 50Hz or AC110V 60Hz                     |
| Power                 | 26W  |
| Working distance      | 150~300mm                                      |
| Ion balancing         | ≤±50V(150mm testing center from the air snake) |
| Discharge speed       | ≤1.5s  |
| Noise                 | ≤65db (150mm to blower)                        |
| Medium used           | Clean pressed air                              |
| Scope of air pressure | 0.2 - 0.6MPA                                   |
| Working temperature   | 0 - 50°C                                       |
| Air connector         | Φ8mm   |
| Power cord length     | 3-5M   |
| Dimension             | 180*135*118mm(L*W*H)                           |
| Net Weight            | 3350g  |
| Gross Weight          | 3780g  |

**Q&A**

|               |                                      |
|---------------|--------------------------------------|
| Payment Term  | T/T, L/C, West Union, Paypal         |
| Delivery Time | 7 to 10 days after confirm the order |
| Warranty      | 2 years after delivery               |
| Package       | Carton                               |

**Outline dimensional drawing**



### ***Anping's Qualification***

- A. 15-year's experience in static industry.
- B. Customers from more than 120 countries.
- C. Successful cases from dozens of countries.
- D. Professional team offers technical support to customers.
- E. 24hours online services from our professional foreign trade department.
- F. All our machines passed the CE certificate.
- G. Our technicians go to different countries to help customers solve problems.

**Choosing Anping, you will get not only the products, but also the better service, and better operating mode.**

### ***About Anping***

Shanghai Anping Static Technology Co.,Ltd was established in 1999 which is the first Hi-Tech enterprise researching and manufacturing DC ionizer in China.

Our AP&T brand series products include ionizing **air blower**, **ionizing air gun**, **ion bar**, **ion nozzle** with various specifications are widely used in **semi conduct**, **encapsulation**, **opto-electrical**, **electronics**, **communication**, **spray finishing**, **printing**, **textile**, **pharmaceutical equipments**, **construction material**, **injection molding industries**. Our products have won good reputation of our users and have been exported to Japan, Korean, South East Asia, Europe , North and South America.

As councilman of China Electronics Industry Association Anti-static Equipment Branch, we devote our efforts in providing comprehensive perfect solution of static control and eliminating and serve our customers with our strong technical strength and rich industry experience. We are ready to supply you over valued products and technology. We'll be your reliable partner in ESD field.

### ***Package and Shipping***

### ***Detail Image***





