

AP&T®

Desktop ionizing air blower



Industry Application

Wildly used in electronics, optoelectronics, semiconductors, plastics, films and printing industries

Product Feature

- 1、 Compact structure and elegant appearance
- 2、 Large volume of ion generating and fast speed of static removing

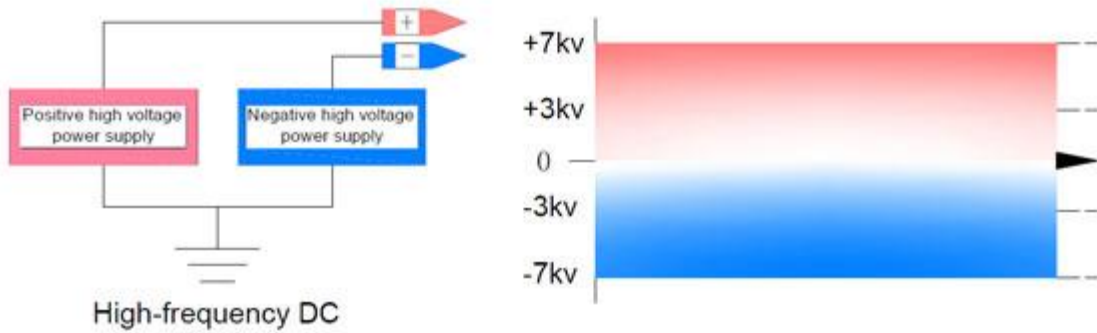
- 3、 Fan stepless speed adjustment
- 4、 Stable, safe and reliable performance
- 5、 Detachable cover net both front and back, convenient to maintain
- 6、 Equipped with special external power adapter
- 7、 Automatically cleaning pins when turn on, and regular cleaning.

Model	AP-DC 2451-001
Input voltage	AC 220V/50Hz or 110v/60Hz (with external power adapter)
Output voltage	DC±4KV→±7KV
Output frequency	30Hz (Default)
Discharge speed	≤2S (300mm Testing center from the air outlet)
Power	12W
Discharge range	1200*600mm
Air Volume	0-95 CFM
Noise	<45dBA (150mm from air outlet)
Ozone thickness	≤0.02ppm (150mm from air outlet)
Ion balance	≤ ±10V
Working temperature	0°C-50°C
Working humidity	<70%
Dimension	180x72x201.5mm
Net weight	1500g

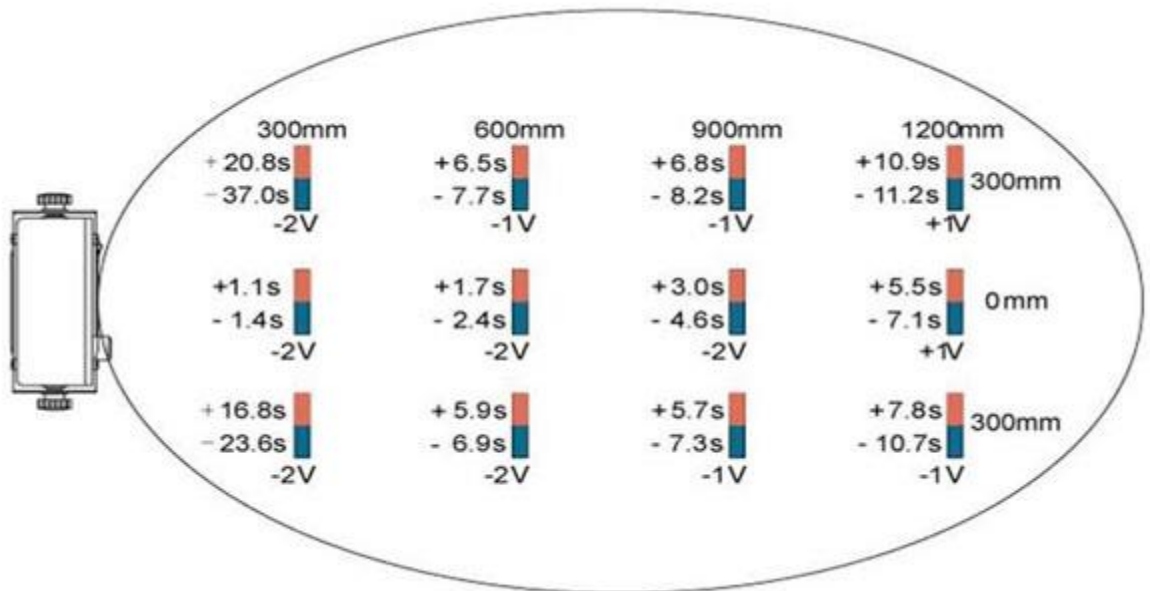
Gross weight

1980g (include adaptor, power cable, packing etc)

Working Ways(DC)



Elimination Effect



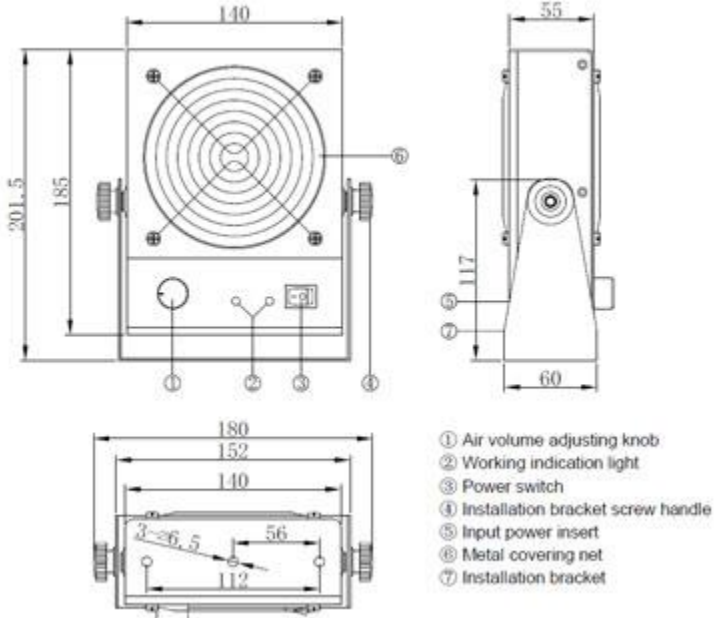
Testing instrument : 3M-711 Static tester

Testing standard : SJ/T10694-2006、GB/T14437-97

Testing voltage : ± 1000 — $\pm 100V$ Attenuation

Testing environment : Humidity30%—50% Temperature $20\pm 5^{\circ}C$

Outline Dimensional Drawing



Positioning

