

AP&T®

AP-DC2458 Desktop ionizing air blower



General

AP-DC2458 ionizing air blower is a member of the ionizing blower product series manufactured by Shanghai Anping Static Science&Technology Co.,Ltd, which is a reliable and high efficient device in providing static removing for the objective surface.

AP-DC2458 applies the latest technology of ionization model in the world. It generate both polarity ion and arrive the object surface where the static to be eliminated most equally. Eliminate static effectively and control the remaining static well.

AP-DC2458 is widely used in electronics,plastic,chemical,printing and optics industry etc.

Features

- 1, Low power and long lifetime
- 2, Large volume of ion generating and fast speed of static removing
- 3, Stepless adjustment of fan speed
- 4, Stable, safe and reliable performance
- 5, Detachable cover net both front and back, convenient to maintain
- 6, Built-in power supply and convenient to use

2. Industry Applications

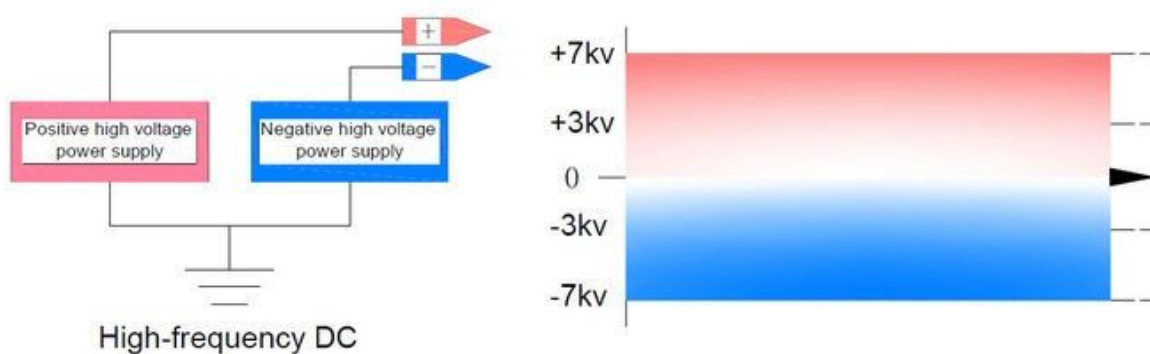
Used in electronics, optoelectronics, semiconductors, plastics, films and printing industries.

3, Specification

Model	AP-DC2458
Input voltage	AC220V/50Hz or 110V/60Hz
Working voltage	±DC4000-DC7000V
Power	12W
Ion balance	-10V~+10V(300mm testing center from the air outlet)
Discharge speed	≤1.5s (300mm testing from thr air outlet)
Effective working range	1200*600mm(L*W)
Air volume	0-95CFM(adjustable)

Noise	≤45df(150mm from the air outlet)
Ozone thickness	≤0.02ppm(150mm from the air outlet)
Working temperature	0-50°C
Dimension	180*102*230mm(L*M*H)
Net weight	1960G
Ion emission	Steady state DC
Transmitting electrode	Tungsten alloy
Discharge structure	Uncoupled electrical contact (discharge cylinder)
Alarm indication	The power indicator is on and working normally.
shell material	Aluminum dusting
Mounting accessories	1 pair of U-shaped aluminum powder spray mounting bracket, 1 pair of bakelite screw handles (M6×12)
Gross weight	2620g
Quality assurance	1 Year
Certificate	CE

4, Working Ways(DC)



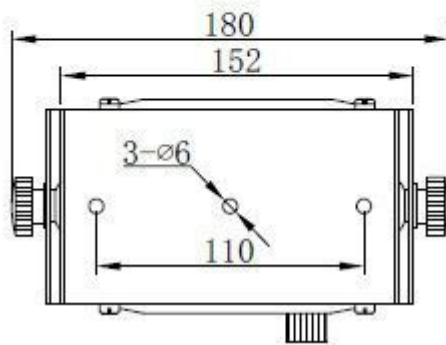
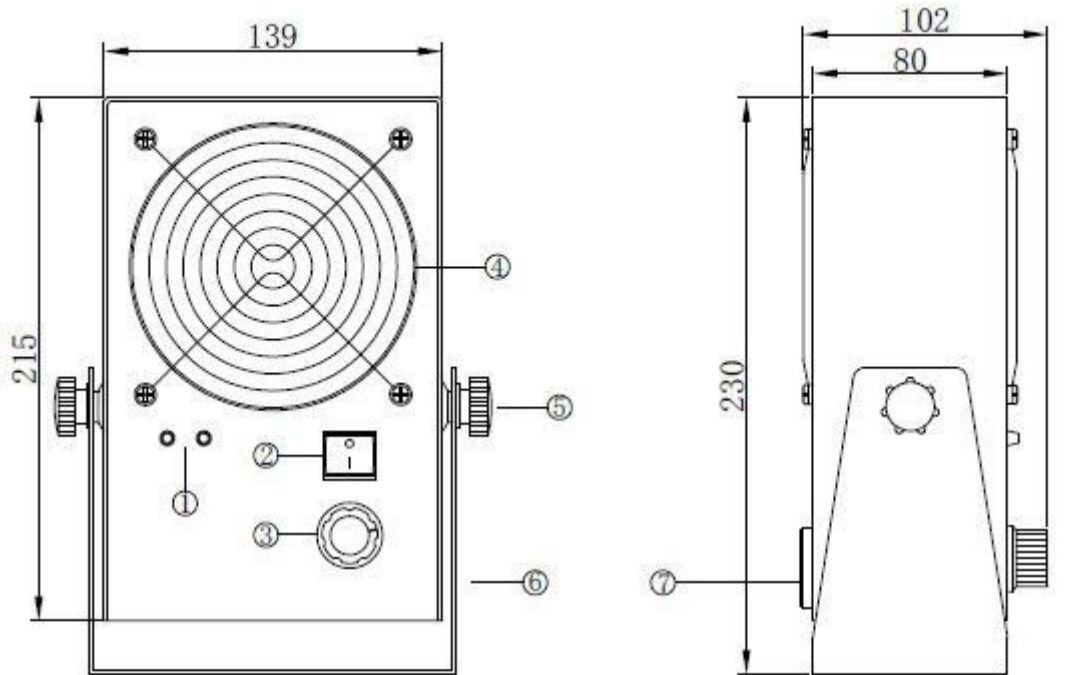
Testing instrument :3M-711 Static tester

Testing standard :SJ/T10694-2006,GB/T14437-97

Testing voltage :±1000 — ±100V Attenuation

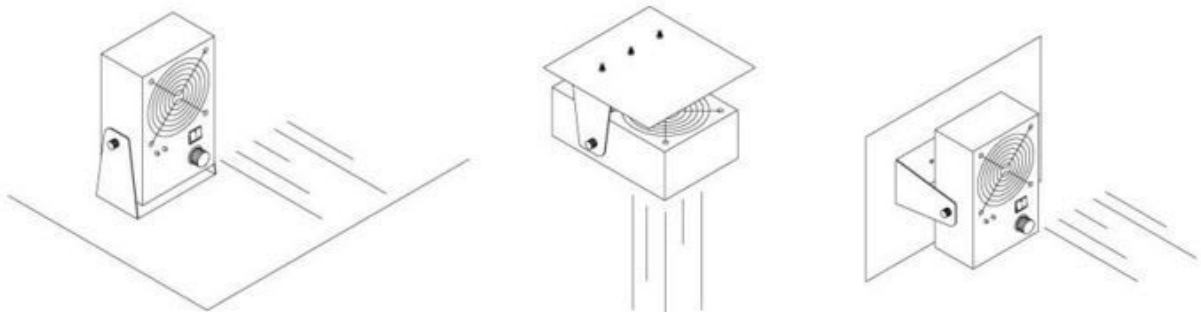
Testing environment :Humidity 30%—50% Temperature 20±5°C

Outline Dimensional Drawing



- ① Working indication light
- ② Power switch
- ③ Air volume adjusting knob
- ④ Metal covering net
- ⑤ Installation bracket screw handle
- ⑥ Installation bracket
- ⑦ Input Power (socket)

Positioning





Installation

When using AP-DC2458 ionizing air blower, the air transmitter should be vertical to the object which static to be removed. The trestle should be fixed on stable and plain surface such as wall by screw and nut.

AP-DC2458 ionizing air blower should be put near working area or 300~900mm to the objective. By screw the knob on both side of the trestle the horizontal angle can be adjusted so that the optimal effect of static removing can be achieved.