

ARTESYN MODULAR HIGH POWER SYSTEM

Up to 24000 Watts



iHP12



iHP24

Designed for a wide range of medical, industrial, lighting/horticulture and semiconductor applications, Advanced Energy's iHP configurable precision power system provides accuracy, resolution and stability as either a programmable voltage or current source. It provides up to 24 kW in 3 kW increments and can be configured for up to 8 outputs using a wide variety of plug-in modules that address a large range of voltages and currents.

Safety approvals secured by Advanced Energy eliminate the need for an isolation transformer in medical equipment. The iHP power system also has industrial safety approvals, including compliance to the SEMI F47 standard for semiconductor processing equipment.

The iHP power system offers developers either an analog or digital interface to their system supporting standard communications protocols, while a software graphical user interface (GUI) allows for easy configuration and user Dashboard creation. For Horticulture customers, detailed scheduling and control software is available. For non-medical applications, a smaller and lighter rack is now available using the same plug-in modules.

SPECIAL FEATURES

- 5 years manufacturer's warranty
- Multi output intelligent and modular high power system
- Standard 19" rack
- Outputs parallel up to 1600 A
- Outputs series up to 1000 V
- 100% digital control
- Outputs program as voltage or current source
- Versatile input configurable to:
 - Low line 180-264 Vac single phase and 3-phase
 - High line 342-528 Vac 3-phase
 - High line 540-660 Vac 3-phase (iHP24C)
- Medical Safety Approved on iHP12 and iHP24, not on iHP24S or iHP24C
- Analog Interface either 0-5 V or 0-10 V for both current and voltage. Compatible with, but not limited to Priva, Argus, TrollMaster and Hortimax controllers, In lighting applications

Note 1: Digital Ethernet UDP, RS485, CAN or Ethernet TC/IP with PowerPro Connect Module option. Command protocol is patterned to PMBus specification using a proprietary transaction protocol.

DATA SHEET

Total Power:

Up to 24 KW per 3U rack.
Up to 144 KW in an 18U Cabinet

Input Voltage

iHP12, iHP24 and iHP24S:

180-264 Vac

342-528 Vac

Single or 3-Phase for iHP12

3-Phase for iHP24 and iHP24S

iHP24C:

540-660 Vac

3-Phase for iHP24C

of Outputs:

Up to 8

iHP

- Flexible digital control interfaces (Note 1)
- Air cooled
- Semi F47 compliance (except for iHP24S)
- Field upgradeable firmware
- Programmable slew rate
- Fast current slew rate up to 200 Hz
- Active power factor correction
- User defined command profiles
- Very low THD compared to LED Drivers when used in lighting applications

SAFETY

SAFETY FOR ALL MODELS (except for iHP24S and iHP24C models)

- UL 62368-1
- CSA C22.2 No. 62368-1
- EN62368-1
- EN60601-1
- IEC60601-1
- UL 60601-1 1st Edition; ANSI/AAMI ES60601-1 (2005 + C1:09 + A2:10) “3rd Ed”
- CAN/CSA-C22.2 No. 60601-1 (2008)
- IEC60601
- UL/cUL listed to UL 508 and CSA C22.2 No. 107.1-01, CSA to CSA C22.2 No. 107.1-01

- CB Certificate and Report
- CE LVD (EN62368-1 + RoHS)

SAFETY FOR CANADIAN MODEL iHP24C3A ONLY

- UL60950-1 with UL62368-1
- CSA C22.2 No 62368-1

SAFETY FOR iHP SHORT RACK iHPS24H3A & iHPS24L3A

- UL 62368-1 Listed
- CSA 62368-1 Listed
- EN 62368-1
- IEC 62368-1
- CE (LVD+RoHS), EN 62368-1

IHP24 ELECTRICAL SPECIFICATIONS

Input Parameter	19" Rack 24 KW strapped as 3-phase 380/480 Vac Nominal (iHP24H3A/iHP24SH3A)	19" Rack 24 KW strapped as 3-phase 208/240 Vac Nominal (iHP24L3A/iHP24SL3A)	19" Rack 24 KW strapped as 3-phase 600 Vac Nominal (iHP24C3A)
Input range	342 Vac to 528 Vac (Nominal rating 380/480 Vac)	187.5 Vac to 264 Vac (Nominal rating 208/240 Vac)	540 Vac to 660 Vac (Nominal rating 600 Vac)
Number of phases	3-phase (Wye or Delta) 4 wire total (3-phase and 1 protective earth ground)		3-phase Wye 5 wire total (3-phases, neutral and protective earth ground)
Frequency	47-63 Hz		
Phase detection	Loss of phase will inhibit unit off. Housekeeping/comms must continue with phase loss.		
Max current/phase	51 A @ 342 Vac 40 A @ 432 Vac	84 A @ 187.5 Vac	29 A @ 312 Vac
Undervoltage detection	Nominal input locked on at turn-on. Undervoltage shutdown at 15% below nominal. Turn-on at 12% below nominal. Not to interfere with SEMI F47 specs.		
Current inrush	2.5 x Max input current		
Power factor	> 0.98 @ full load and nominal line		
Harmonic distortion	THD < 13%, PWH < 22% (refer to EN 61000-3-12)		
Line interruption	Designed to meet SEMI F47-0706, 53, 58, S14 at nominal input voltages (Non "S" models don't apply)		
Input leakage current	< 2.5 mA (Note for fixed condition 3rd edition leakage = 5 mA)		
Power switch	Front panel power switch provided		
Input protection	Internal fuse (not user serviceable)		
Input overvoltage protection	Up to 115% of nominal input shall not damage unit		
Phase imbalance	≤ 5%		
Rack parallel	Up to 6 racks (144 KW)		
Efficiency	94.1% @ 3P 380 Vac 50% Load 94.8% @ 3P 480 Vac 50% Load	94.2% @ 3P 208 Vac 50% Load 94.7% @ 3P 240 Vac 50% Load	> 90% @ 3P 600 Vac full load
Standby voltage	5 V		
Standby regulation	4.75 - 5.25 V		
Standby max current	1 A		

TOTAL HARMONIC DISTORTION COMPARISON



% Load	600 W Driver	iHP24H3A and iHP24SH3A
50%	14.00%	2.78%
75%	13.10%	1.16%
100%	10.70%	0.80%

Notes:

1. 600 W driver data is taken from published datasheet.
2. iHP24H3A model data was captured at a nominal input of 480V 3-Phase at room ambient.
3. The input voltage of 277VAC is the single phase equivalent used when operating on 2 phases of a 480V 3-Phase utility service.

SAFETY TABLE

Model Number	Model Code	Module Nominal Voltage	Safety Compliance	Maximum Total Voltage Allowed
73-936-0012	SL	≤ 48 V	Medical 2MOPP*	300 V
73-936-0024	SQ		Medical 2MOOP**, ITE	400 V
73-936-0048	SW			
73-936-0080	S8	≥ 80 V	Medical 2MOPP	600 V
73-936-0125	S1		Medical 2MOOP	800 V
73-936-0200	SA		Medical 2MOOP	800 V
73-936-0250	S2		ITE	1000 V

Note: * -2MOPP or 2 × MOPP (Means of Patient Protection)
 ** -2MOOP or 2 × MOOP (Means of Operator Protection)

IHP12 ELECTRICAL SPECIFICATIONS

Input Parameter	19" Rack 12 KW strapped as 1-phase 200/220/230/240 Vac Nominal (iHP12L1A)	Type: 19" Rack 12 KW strapped as 3-phase 200/208/240 Vac Nominal (iHP12L3A)	Type: 19" Rack 12 KW strapped as 3-phase 380/480 Vac Nominal (iHP12H3A)
Input range	180 Vac to 264 Vac (Nominal rating 200/220/230/240 Vac)	180 Vac to 264 Vac (Nominal rating 200/208/240 Vac)	342 Vac to 528 Vac (Nominal rating 380/480 Vac)
Number of phases	1-phase 3-wire total (2-phase and 1 protective earth ground)	3-phase (Wye or Delta) 4-wire total (3-phase and 1 protective earth ground)	
Frequency	47-63 Hz		
Phase detection	NA	Loss of phase will inhibit unit off. Housekeeping/comms must continue with phase loss.	
Max current/phase	75 A @ 180 Vac	44 A @ 180 Vac	23 A @ 342 Vac 19 A @ 432 Vac
Undervoltage detection	Nominal input locked on at turn-on. Undervoltage shutdown at 15% below nominal. Turn-on at 12% below nominal. Not to interfere with SEMI F47 specs.		
Current inrush	2.5 x Max input current		
Power factor	> 0.99 @ full load and nominal line	> 0.98 @ full load and nominal line	
Harmonic distortion	THD < 3.5%, PWHD < 22% (refer to EN 61000-3-12)		
Line interruption	Designed to meet SEMI F47-0706, 53, 58, S14 at nominal input voltages		
Input leakage current	< 1.25 mA		<2.5 mA
Power switch	Front panel power switch provided		
Input protection	Internal fuse (not user serviceable)		
Input overvoltage protection	Up to 115% of nominal input shall not damage unit		
Phase imbalance	NA	≤ 5%	≤ 5%
Rack parallel	Up to 6 racks (72 KW)		
Efficiency	> 91% @ 1P 240 Vac full load > 90% @ 1P 208 Vac/200 Vac full load	> 91% @ 3P 240 Vac full load > 90% @ 3P 208 Vac/200 Vac full load	> 90% @ 3P 380 Vac full load > 91% @ 3P 480 Vac full load
Standby voltage	5 V		
Standby regulation	4.75 - 5.25 V		
Standby max current	1 A		

EMC/IMMUNITY

EMC	ALL MODELS (except Canadian model iHP24C3A)
ESD	EN61000-4-2 (IEC1000-4-2)
Fast Transients	EN61000-4-4 (IEC1000-4-4)
Surge Immunity	EN61000-4-5 (IEC1000-4-5)
Conducted Immunity	EN61000-4-6 (IEC1000-4-6)
Radiated Immunity	EN61000-4-3 (IEC1000-4-3)
Power Frequency Magnetic Field	EN61000-4-8
Voltage Dips, Short Interruptions and Voltage Variations	EN 61000-4-34
Conducted Emission	EN55011, FCC CFR 47, Part 15, Subpart B
Radiated Emission	EN55011, FCC CFR 47, Part 15, Subpart B

EMC/IMMUNITY (CONTINUED)

EMC	CANADIAN MODEL iHP24C3A ONLY
ESD	IEC 61000-4-2 Level 4 Criteria A, Air discharge 15kV, Contact Discharge 8kV
Fast Transients	IEC 61000-4-4 Level 3 Criteria A 2kV
Surge Immunity	IEC 61000-4-5 Level 3 Criteria A, Common Mode 2kV, Differential Mode 1kV
Conducted Immunity	IEC 61000-4-6 Level 3 Criteria A; 150kHz-80MHz, 10Vrms
Radiated Immunity	IEC 61000-4-3 Level 3 Criteria A; 80MHz-1GHz, 10V/M, 80% Modulation (1KHz)
Power Frequency Magnetic Field	IEC 61000-4-8 Criteria A; 30A/Meter
Voltage Dips, Short Interruptions and Voltage Variations	IEC 61000-4-11 100% dip, 1 cycle (20ms), Self Recoverable (Hold UP only 14ms on Short Rack and Liquid Cooled)
Conducted Emission	EN55011, FCC CFR 47, Part 15, Subpart B
Radiated Emission	EN55011, FCC CFR 47, Part 15, Subpart B

ALL MODELS (except Canadian model iHP24C3A, iHPS24H3A & iHPS24L3A)

Category	Standard	Frequency	Level / Limits	PSU Performance Criteria ¹
Radiated Emissions	EN 55011/CISPR11	30M -1GHz	Class A	5dB Margin
	FCC CFR 47, Part 15, Subpart B	30M-1GHz >1GHz (see standard)	Class A	5dB Margin
Conducted Emissions	EN 55011/CISPR11	150k-30MHz	Class A	5dB Margin
Power Line Harmonics ²	EN 61000-3-12	See standard	See standard	
Voltage Fluctuations ²	EN 61000-3-11	See standard	See standard	
Radiated Immunity	EN 61000-4-3	80M-2GHz	10 V/meter	A
ESD	EN 61000-4-2		8 KV contact, 15 KV Air	A
Electrical Fast Transient	EN 61000-4-4		+/- 4 KV	A
Surge AC	EN 61000-4-5		2KV DM, 4KV CM	A
	IEEE C62.41		2KV DM, 2KV CM	A
			6 KV, CM & DM	Fail Safe
Conducted Susceptibility	EN 61000-4-6	150 KHz – 80 MHz	10Vrms	A
Voltage Dips and Sags ²	EN 61000-4-34 SEMI F47	>95% reduction for	10mS	A
		>30% reduction for	500mS	A
		>95% reduction for	500mS	C
		20% reduction for	5000ms	A
		30% reduction for	500ms	A
		50% reduction for	200ms	A
		60% reduction for	200ms	B

Notes:

¹ Performance Criteria as defined by EN 300 386 V1.3.3² Applies to AC power supplies only. Short Rack and Short Rack inside Liquid Cooled rack do not meet 1 cycle hold-up³ 24KW load conducted EMI and 12KW load radiated EMI tests using 48V modules only. 3KW load comparative test for other module variants is ok.

iHP SHORT RACK (iHPS24H3A & iHPS24L3A)

Category	Standard	Frequency	Level / Limits	PSU Performance Criteria ¹	
Radiated Emissions	EN 55011/CISPR11	30M -1GHz	Class A	-	
	FCC CFR 47, Part 15, Subpart B	30M-1GHz	Class A	-	
		>1GHz (see standard)		-	
Conducted Emissions	EN 55011/CISPR11	150k-30MHz	Class A		
Power Line Harmonics ²	EN 61000-3-12	See standard	See standard		
Voltage Fluctuations ²	EN 61000-3-11	See standard	See standard		
Radiated Immunity	EN 61000-4-3	80M-2GHz	10 V/meter	A	
ESD	EN 61000-4-2		8 KV contact,	A	
			15 KV Air		
Electrical Fast Transient	EN 61000-4-4		+/- 4 KV	A	
Surge AC	EN 61000-4-5		2KV DM, 4KV CM	A	
			IEEE C62.41	2KV DM, 2KV CM	A
				6 KV, CM & DM	Fail Safe
Conducted Immunity	EN 61000-4-6	150 KHz – 80 MHz	10Vrms	A	
Voltage Dips and Sags ²	EN 61000-4-34		>95% reduction for	0.5 Cycle	A
			100% reduction for	0.5 Cycle (45deg phase angle)	A
			100% reduction for	1 Cycle (0deg phase angle)	C
			30% reduction for	25/30 Cycles ³	C
			30% reduction for	25/30 Cycles ³ (0deg phase angle)	C
			>95% reduction for	250/300 Cycles ⁴	C
			100% reduction for	250/300 Cycles ⁴	C
Power Frequency Magnetic Field	IEC 61000-4-8	See standard	See standard		

Notes:

¹ Performance criteria of EN61000-4-X standards as defined by EN55024

² Applies to AC power supplies only.

³ 24KW load conducted EMI and 12KW load radiated EMI tests using 48V modules only. 3KW load comparative test for other module variants is ok.

⁴ 25 cycles for 50Hz test, 30cycles for 60 Hz test

⁵ 250 cycles for 50Hz test, 300cycles for 60 Hz test

OUTPUT – GENERAL SPECS

Parameter								
MODULE CODE	SL	SQ	ST	SW	S8	S1	SA	S2
# Outputs	1	1	1	1	1	1	1	1
Nominal O/P (V)	12.0 V	24.0 V	32.0 V	48.0 V	80.0 V	125.0 V	200.0 V	250.0 V
Max Power (W)	2400 W	2880 W	2880 W	3000 W	3000 W	3000 W	3000 W	3000 W
O/P Current Range (A)	0.0 A - 200 A	0.0 A - 120 A	0.0 A - 90 A	0.0 A - 62.5 A	0.0 A - 37.5 A	0.0 A -24 A	0.0 A - 15.0 A	0.0 A -12 A
Power Density (W/cu-in)	32.5	39.0	39.0	40.6	40.6	40.6	39	40.6
Module Input Voltage	400 V							
Module Operating Temp	-0 °C to +65 °C; Baseplate Temp TBD							
Series Operation	250 V modules can be connected in series up to 800 V for Medical and 1000 V for ITE							
Parallel Operation	Up to 8 modules can be paralleled in 1 rack, with up to 6 racks connected in parallel. Single Wire Parallel connection will be provided as part of configuration							
Parameter								
MODULE CODE	TW				T3			
# Outputs	1				1			
Nominal O/P (V)	50 V				300 V			
Max Power (W)	12000 W				12000 W			
O/P Current Range (A)	0 -270 A				0 -50 A			
Power Density (W/cu-in)	TBA				TBA			
Module Input Voltage	395V ± 5V							
Module Operating Temp	0°C to +65°C							
Series Operation	No series operation offering							
Parallel Operation	Up to two (2) modules can be paralleled in one (1) rack, with up to six (6) racks connected in parallel. Single Wire Parallel connection will be provided as part of configuration.							

OUTPUT – MODULE IN VOLTAGE SOURCE MODE

Voltage Source								
MODULE CODE	SL	SQ	ST	SW	S8	S1	SA	S2
Nominal Output (V)	12	24	32	48	80	125	200	250
Setting Range (V)	0.6 V - 14.4 V	1.2 V - 28.8 V	1.6 V - 38.4 V	2.4 V - 57.6 V	4.0 V - 96.0 V	6.25 V - 150.0 V	10.0 V - 240.0 V	12.5 V - 300.0 V
Low Frequency RMS Ripple (mV)	24	48	64	96	160	250	500	500
Line Regulation (mV)	12	24	32	48	80	125	200	250
Load Regulation (mV)	24	48	64	96	160	250	400	500
P-P Ripple (mV)	60	120	160	240	400	625	1250	1250
Drift (Temp Stability)	±0.05% of I _{out} Rated over 8 hours, after 30 minute warm up, constant Line, Load and Temp							
Temp Coefficient (PPM/°C)	200							
Pgm Accuracy (mV)	Digital: 0.1% of Nominal Output Voltage; Analog: 1.0% of Nominal Output Voltage							
Pgm Resolution (mV)	SL=TBD; SQ=1; SW=2; S8=8; S1=6; S2=21							
Meas Accuracy (mV)	0.2% + 0.2% of Nominal Output Voltage							
Meas Resolution	SL=TBD; SQ=1; SW=2; S8=8; S1=6; S2=21							
Transient Response	Max 5.0% deviation from current set point must recover within 1mS for a 50% step load.							
Current Sense Method	Internal Shunt; External Shunt can be used for better temperature stability.							
Voltage Source								
MODULE CODE	TW				T3			
Nominal Output (V)	50				300			
Setting Range (V)	2.5 -60				15.0 -360			
Low Frequency RMS Ripple (mV)	100				600			
Line Regulation (mV)	50				300			
Load Regulation (mV)	100				600			
P-P Ripple (mV)	250				1500			
Drift (Temp Stability)	±0.05% of V _{out} rated over 8 hours, constant line and load.							
Temp Coefficient (PPM/°C)	200							
Pgm Accuracy (mV)	Digital: 0.1% of Nominal Output Voltage / Analog: 1.0% of Nominal Output Voltage							
Pgm Resolution (mV)	2				TBA			
Meas Accuracy (mV)	0.2% of Set Output + 0.2% of Nominal Output Voltage							
Meas Resolution	TBA							
Transient Response	Recovery time of 1mS (See Section 5.4.2 for the transient conditions)							
Current Sense Method	Internal Shunt							

OUTPUT – MODULE IN CURRENT SOURCE MODE

Current Source - Programmable load compensation available for resistive and inductive loads; capacitive load applications; and LED drive applications								
MODULE CODE	SL	SQ	ST	SW	S8	S1	SA	S2
Nominal Output (V)	12	24	32	48	80	125	200	250
Setting Range (A)	0.0 A - 200 A	0.0 A - 120 A	0.0 A - 90 A	0.0 A - 62.5 A	0.0 A - 37.5 A	0.0 A - 24 A	0.0 A - 15 A	0.0 A - 12 A
RMS Ripple (mA)	200	120	90	62.5	37.5	24	15	12
Line Regulation (mA)	200	120	90	125	93.75	48	50	24
Load Regulation (mA)	800	480	375	250	150	96	56	48
P-P Ripple (mA)	N/A							
Drift (Temp Stability)	±0.05% of I _{out} Rated over 8 hours, after 30 minute warm up, constant Line, Load and Temp							
Temp Co-efficient (PPM/°C)	SL, SQ = 300 PPM; All other modules are 200 PPM. Temp Co-efficient at rack level is [Temp Co-efficient (module level)] + [4500 PPM of I _{out} -max]							
Pgm Accuracy (A)	0.7% digital, 1.3% analog of rated output max							
Pgm Resolution (mA)	79.2	26.4		13.2	10	5.2	2.6	2.6
Meas Accuracy	0.7% + 0.7% of Rated Output Max							
Meas Resolution	79.2	26.4		13.2	10	5.2	2.6	2.6
Transient Response	0-63% output current change in 7.5 mSec, residual value 1%, settling time 35 mSec							
Current Sense Method	Internal Shunt / External Shunt							
Current Source - Programmable load compensation available for resistive and inductive loads; capacitive load applications; and LED drive applications								
MODULE CODE	TW				T3			
Nominal Output (V)	50				300			
Setting Range (A)	0 -270				0 -50			
RMS Ripple (mA)	270				50			
*Line Regulation (mA)	270				100			
*Load Regulation (mA)	1200				200			
Pgm Resolution (mA)	20				TBA			
Meas Resolution (mA)	TBA				TBA			
*Pgm Accuracy (A)	Digital: 0.7% of Rated Output Max / Analog: 1.3% of Rated Output Max (1% to 100% O/P Current adjustability)							
*Meas Accuracy	0.7% + 0.7% of Rated Output Max							
*Drift (Temp Stability)	±0.05% of I _{out} -max over 8 hours, constant line and load.							
Temp Coefficient – Module Level (PPM of I _{out} -max / °C)	300				300			
Temp Coefficient – Rack Level	[Temp Coefficient (module level)] + [4500ppm of I _{out} -max]							
Current Overshoot-Undershoot	+/- 5% of I _{out} -max (See Section 5.4.2 for the transient conditions)							
**Transient Response Time	Recovery time of 35mS (See Section 5.4.2 for the transient conditions)							
Current Sense Method	Internal Shunt							

ENVIRONMENTAL SPECIFICATIONS

Operating Conditions	ALL MODELS (Unless Otherwise Specified)
Operating Temperature	0 °C to +50 °C at 100% rated load.
Storage Temperature	-40 °C to +85 °C. For Liquid Cooled models, liquid must be drained before storage
Operating Humidity	20% - 90% non condensing
Storage Humidity	10% - 95% non condensing
Operating Altitude	Up to 9,842 feet above sea level (3,000 meters)
Storage Altitude	Up to 30,000 feet above sea level (9,144 meters)
Vibration	Operating Sinusoidal Vibration MIL-STD-810G Method 528 Procedure I (Type 1): NEBS Office Vibration Environment, Alternate Procedure Operating Random Vibration: IPC-9592B Class 1 Non-Operating Vibration (Packaged): IPC-9592B Class 1; MIL-STD-810G, Method 514.6, Procedure 1, Category 7, Table 514.6C-VII General Exposure
Shock	MIL-STD-810G Method 516.6 Procedures I, II, IV, VI
Shipping and Handling	NSTA for <100 lbs; MIL-STD-2073-1 >100 lbs
Cooling and Audible Noise	<65 dBA with 80% load @ 30 °C at nominal input voltage with Smart Fan algorithm to be optimized based on module and rack thermal sensors. When modules are inhibited via software control, the fan speed is reduced to idle and acoustic noise is <46 dBA. With modules off via front panel switch fans are at idle for 1 min, and off for 9 min.
Ingress Protection	Fan Cooled = IP20
Pollution Degree	2
RoHS Compliance	Yes

ORDERING INFORMATION

CASE CODE		MODULE CODES		PARALLEL/SERIES CASE CODE		CONF CODE	MOD CODE
iHP**XYA-		-XYZ* (x4/x8)		-XX-**		-X	-XXX
Case Decoder	iHP**XYA	Module Decoder	XVZ	First Digit	Second Digit	Special Configuration	Factory Assigned
** = Case Power		X = Output Type		0 = None	0 = None		
	12 = 12 KW 19" Rack		S = Single O/P (1-Slot)	1 = Slot 1&2	P = Parallel	Blank = Standard Configuration Alpha Character = Special Set-up	
	24 = 24 KW 19" Rack			2 = Slot 2&3	S = Series		
	24S = 24KW 19" Rack Short		T = Single O/P (3-Slot)	3 = Slot 3&4	1 = Combo 2 P/S		
X = Voltage Range		V = Nominal Voltage		4 = Slot 4&5	2 = Combo 2 S/P		
	L = Low Range*180-264		A = 200V	5 = Slot 5&6	3 = Combo 3 P/P/S		
	H = High Range 342-528		B = Future	6 = Slot 6&7	4 = Combo 3 P/S/P		
	C = Canadian 540-660		C = Future	7 = Slot 7&8	5 = Combo 3 P/S/S		
Y = Input Phase			D = Future	8 = Slot 1,2&3	6 = Combo 3 S/P/P		
	1 = Single Phase		L = 12 V	9 = Slot 1,2,3&4	7 = Combo 3 S/P/S		
	3 = 3-Phase		Q = 24 V	A = Slot 1,2,3,4&5	8 = Combo 3 S/S/P		
Z = Cooling			T = 32 V	B = Slot 1,2,3,4,5&6	9 = Combo 4 P/P/P/S		
	A = Air Cooled		W = 48 V	C = Slot 1,2,3,4,5,6&7	A = Combo 4 P/P/S/P		
			8 = 80 V	D = Slot 1,2,3,4,5,6,7&8	B = Combo 4 P/P/S/S		
A = Accessory Options			1 = 125 V	E = Slot 1&2; 3&4	C = Combo 4 P/S/P/P		
	Blank = Full control		2 = 250 V	F = Slot 1&2; 3&4; 5&6	D = Combo 4 P/S/P/S		
	1-9 = Future		3 = 300 V (12 KW ONLY)	G = Slot 1&2; 3&4; 5&6; 7&8	E = Combo 4 P/S/S/P		
			5 = 500 V (12 KW ONLY)	H = Slot 1,2&3; 4&5	F = Combo 4 P/S/S/S		
		Z=Mode	Blank = Standard	K = Slot 1,2&3; 4,5&6	H = Combo 4 S/P/P/S		
			P = Precision	L = Slot 1,2&3; 4,5&6; 7&8	J = Combo 4 S/P/S/P		
				M = Slot 1,2,3&4; 5&6	K = Combo 4 S/P/S/S		
				N = Slot 1,2,3&4; 5&6; 7&8	L = Combo 4 S/S/P/P		
				P = Slot 1,2,3&4; 5,6&7	M = Combo 4 S/S/P/S		
				R = Slot 1,2,3&4; 5,6,7&8	N = Combo 4 S/S/S/P		
				S = Slot 1,2,3,4&5; 6&7			
				T = Slot 1,2,3,4&5; 6,7&8			
				U = Slot 1,2,3,4,5&6; 7&8			
				Z=Special Defined by MOD Code			
				-** is allowed for secondary series/parallel code			
				1 = Groups 1&2	P = Parallel		
				8 = Groups 1,2&3	S = Series		
				9 = Groups 1,2,3&4	1 = Combo 2 P/S		
				E = Groups 1&2; 3&4	2 = Combo 2 S/P		

*Lowest possible input for the 24 kW version is 187.5 Vac

ORDERING INFORMATION (CONTINUED)

MODEL NUMBER SHORTCUT

For repeated like modules in parallel or series, instead of listing all the same modules separated by a “-”, you can simply list the module once and then follow by the number of times it repeats enclosed in parenthesis.

For example:

iHP24H3A-SW-SW-SW-SW-SW-SW-S8-S8-00

would become:

iHP24H3A-SW(6)-S8(2)-00

PART NUMBER INFORMATION

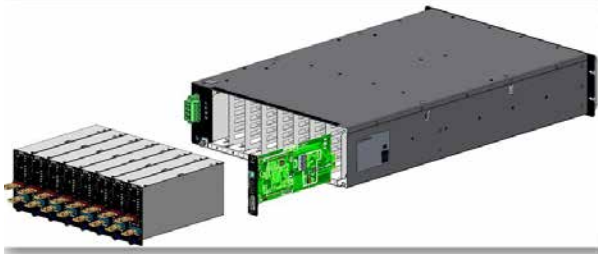
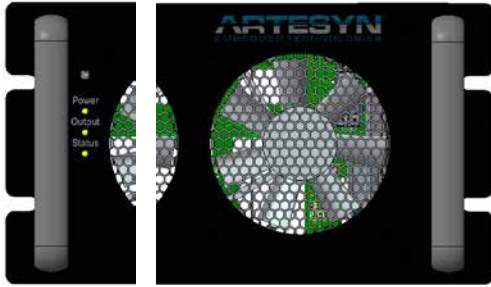
Rack/Module	Description	Status
RACK		
73-958-0001	19" 12KW Case High Line 3-Phase Air (iHP12H3A)	Released
73-958-0001L	19" 12KW Case Low Line 3-Phase Air (iHP12L3A)	Released
73-958-0001S	19" 12KW Case Low Line 1-Phase Air (iHP12L1A)	Released
73-959-0001	19" 24KW Case High Line 3-Phase Air (iHP24H3A)	Released
73-959-0001L	19" 24KW Case Low Line 3-Phase Air (iHP24L3A)	Released
73-959-0001Z	19" 24KW Case 600V Canadian 3-Ph Y Air (iHP24C3A)	Released
73-969-0001	19" 24KW SHORT Case High Line 3-Phase Air (iHP24SH3A)	Coming Soon
73-969-0001L	19" 24KW SHORT Case Low Line 3-Phase Air (iHP24SL3A)	Coming Soon
3KW MODULES		
73-936-0012	12V 2400W Output Module (SL)	Released
73-936-0024	24V 2880W Output Module (SQ)	Released
73-936-0032	32V 3000W Output Module (ST)	Released
73-936-0048	48V 3000W Output Module (SW)	Released
73-936-0080	80V 3000W Output Module (S8)	Released
73-936-0125	125V 3000W Output Module (S1)	Released
73-936-0200	200V 3000W Output Module (SA)	Released
73-936-0250	250V 3000W Output Module (S2)	Released
12KW MODULES		
73-938-0050	50V 12000W Output Module (TW)	Released
73-938-0300	300V 12000W Output Module (T3)	Coming Soon
ACCESSORIES		
73-778-000A	PPCM (PowerPro Connect Module) Kit	Released
73-778-001	3-Phase Low Line Config Kit	Released
73-778-002	1 Phase Low Line Config Kit	Released
73-778-003	Module Accessory Kit	Released
73-778-004	2X Parallel Module Accessory Kit	Released
73-778-005	3X Parallel Module Accessory Kit	Released
73-778-006	4X Parallel Module Accessory Kit	Released
73-778-007	5X Parallel Module Accessory Kit	Released
73-778-008	6X Parallel Module Accessory Kit	Released
73-778-009	7X Parallel Module Accessory Kit	Released
73-778-010	8X Parallel Module Accessory Kit	Released
73-778-011	Initial Series Module Accessory Kit	Released
73-778-012	Subsequent Series Module Accessory Kit	Released
73-778-013	CAN/RS485 Terminator	Released
73-778-016	3-Phase High Line Config Kit	Released
73-778-022	Blank Panel 73-778-022	Released
73-778-023	iHP12 Isocomm board	Released
73-778-024	iHP24 Isocomm board	Released
73-778-026	iHP24 Cover Kit	Released
73-778-027	iHP12 Cover Kit	Released
73-778-029	iHP 8X IPROG Cable Assembly	Released
73-778-030	iHP 4X IPROG Cable Assembly	Released

Model	Weight
73-959-0001 iHP24	36.0 KG
73-959-0001Z iHP24C	35.0 KG
73-958-0001 iHP12	22.2 KG
73-936-0012 Module 3KW	2.2 KG
All other 3KW Module	2.0 KG
73-938-0050 Module 12KW	5.95 KG

CASE SPECS - OUTLINE DETAIL

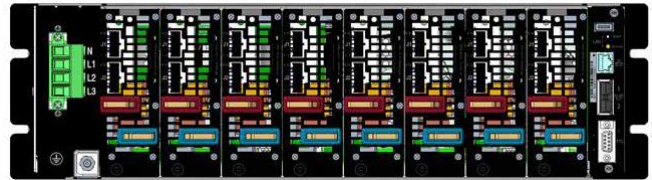
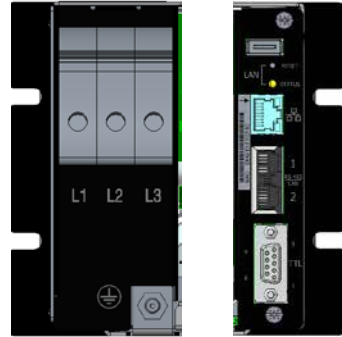
Front Panel Standard Markings

(Standard for both 12 KW and 24 KW)



Input and Comms Standard Markings

View of iHP24L/H and iHP12L/H shown on top, iHP24C shown on bottom. Comms interface is horizontal on the iHP12L/H. See mechanical drawings for more details.



Condition	POWER LED	OUTPUT LED	SYSTEM STATUS LED
No AC	OFF	OFF	OFF
ISOCOM Start-Up Boot Load	BLINKING GREEN	OFF	OFF
SLEEP Mode (ON/OFF switch)	AMBER	OFF	OFF
Global Inhibit	SOLID GREEN	BLINKING GREEN	OFF
AC GOOD	SOLID GREEN	X	X
AC FAULT (OV, UV)	SOLID RED	OFF	SOLID RED
Output GOOD	SOLID GREEN	SOLID GREEN	SOLID GREEN
Auto-recoverable Fault (OTP)	SOLID GREEN	OFF	SOLID AMBER
Latching Fault (OVP, UVP) or Internal Fault	SOLID GREEN	OFF	SOLID RED
FAN FAIL	SOLID GREEN	OFF	BLINKING RED
BOOTLOADING	X	OFF	BLINKING AMBER

MODULE INTERFACE DETAIL (SAME FOR BOTH "S" AND "T" MODULES)

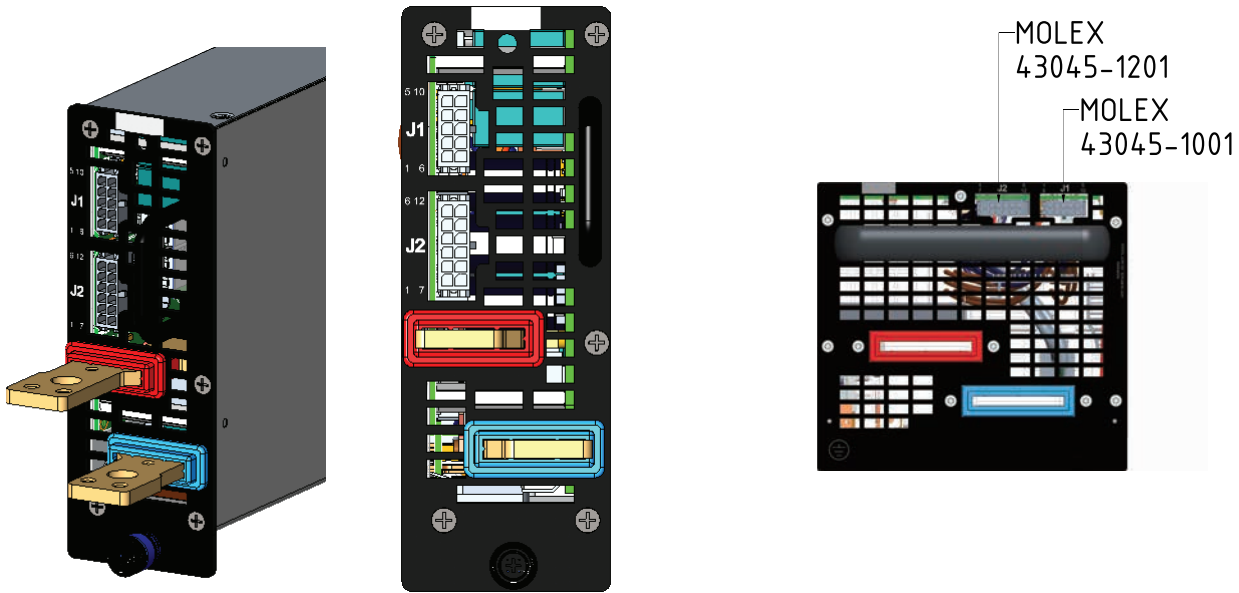
Module J1 Signals

Pin #	Function	Function	Pin #
5	4-20mA_IPROG	SYS_M_FAULT#	10
4	0-5V_IPROG	SYS_M_ENABLE#	9
3	0-10V_IPROG	SYS_RTN	8
2	0-5V_VPROG	SYS_M_INHIBIT	7
1	0-10V_VPROG	4-20mA_VPROG	6

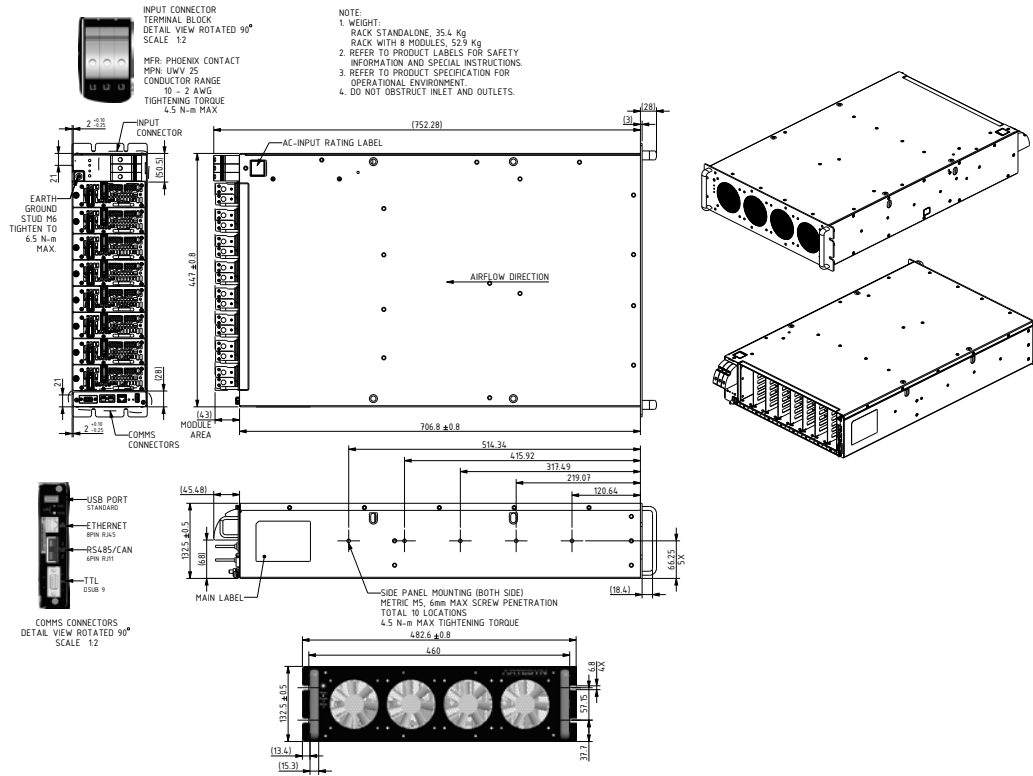
Module J2 Signals

Pin #	Function	Function	Pin #
6	NOT CONNECTED	ISHARE	12
5	IMON	VMON	11
4	D_RTN	ISHARE	10
3	EXT_ISENSE+	EXT_ISENSE-	9
2	D_RTN	V_SNS-	8
1	V_SNS+	D_RTN	7

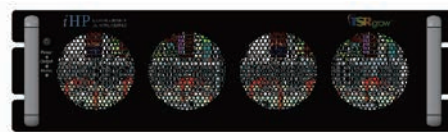
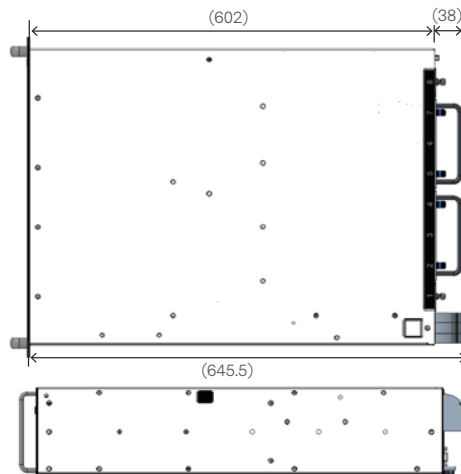
J1 mating housing Molex Micro-fit MPN: 43025-1000
 J2 mating housing Molex Micro-fit MPN: 43025-1200
 Crimp Terminal AWG 20-24
 Crimp Terminal Molex MPN: 43030-0002



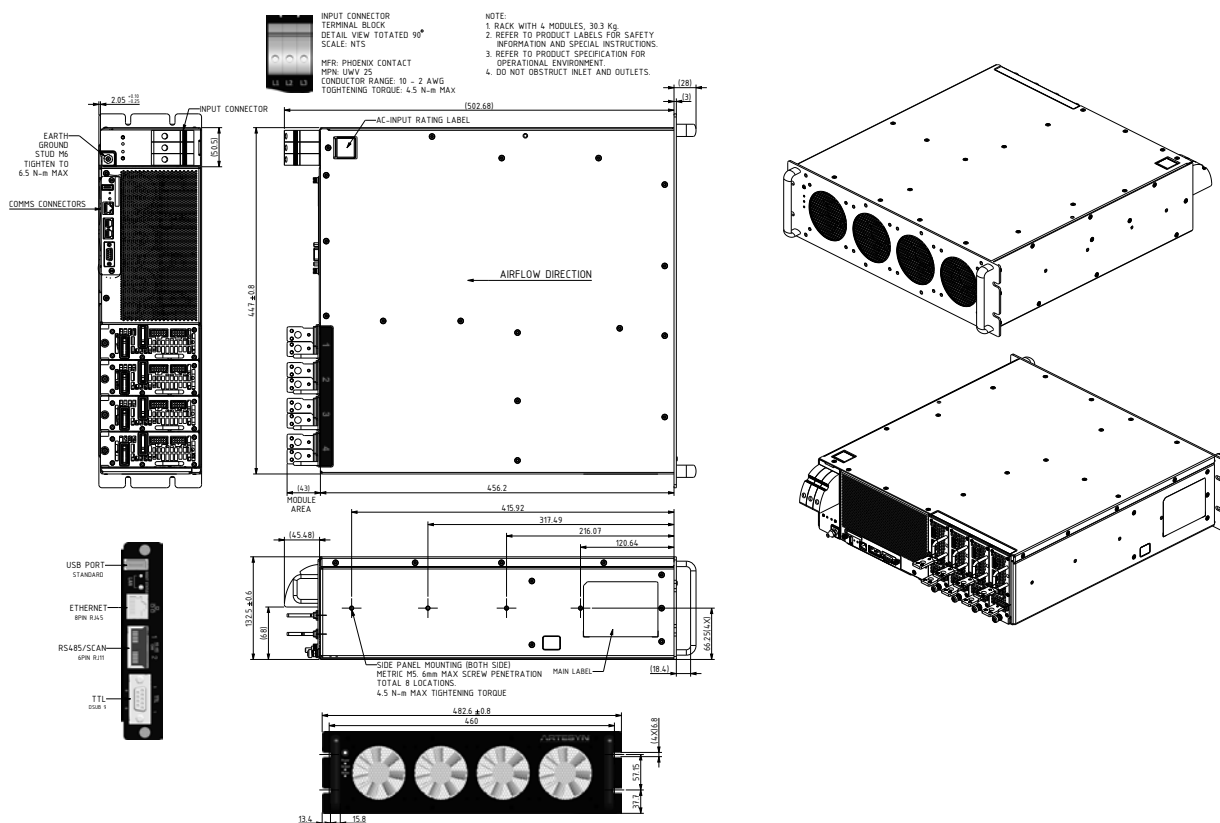
IHP24 SERIES - MECHANICAL DRAWINGS



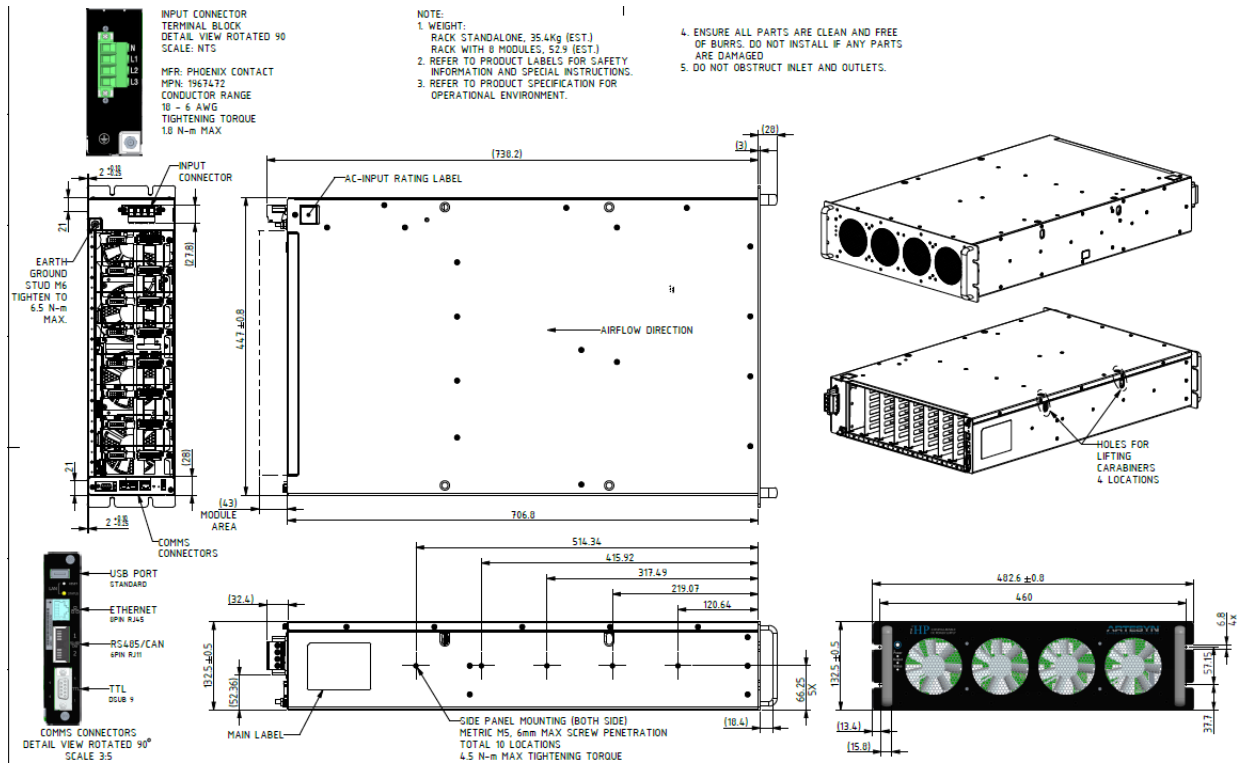
24KW AIR COOLED SHORT RACK MECHANICAL OUTLINE



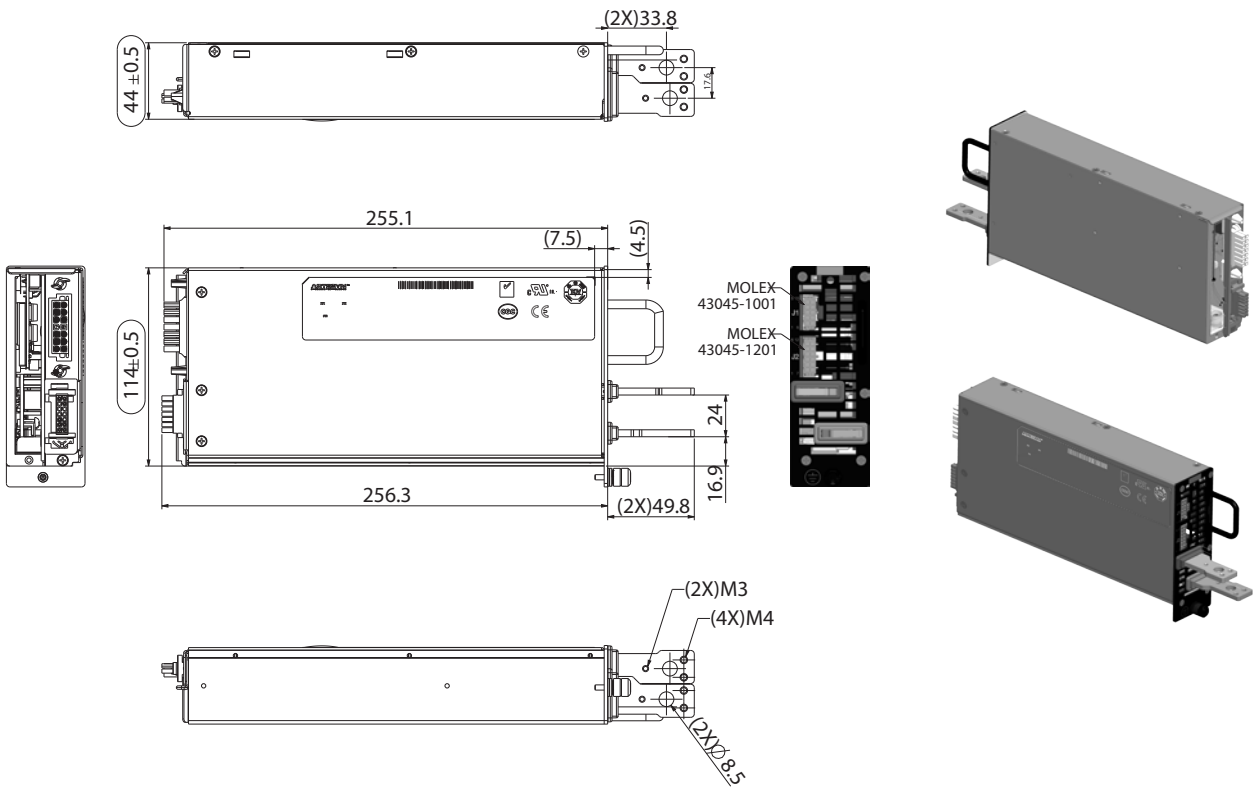
IHP12 SERIES - MECHANICAL DRAWINGS



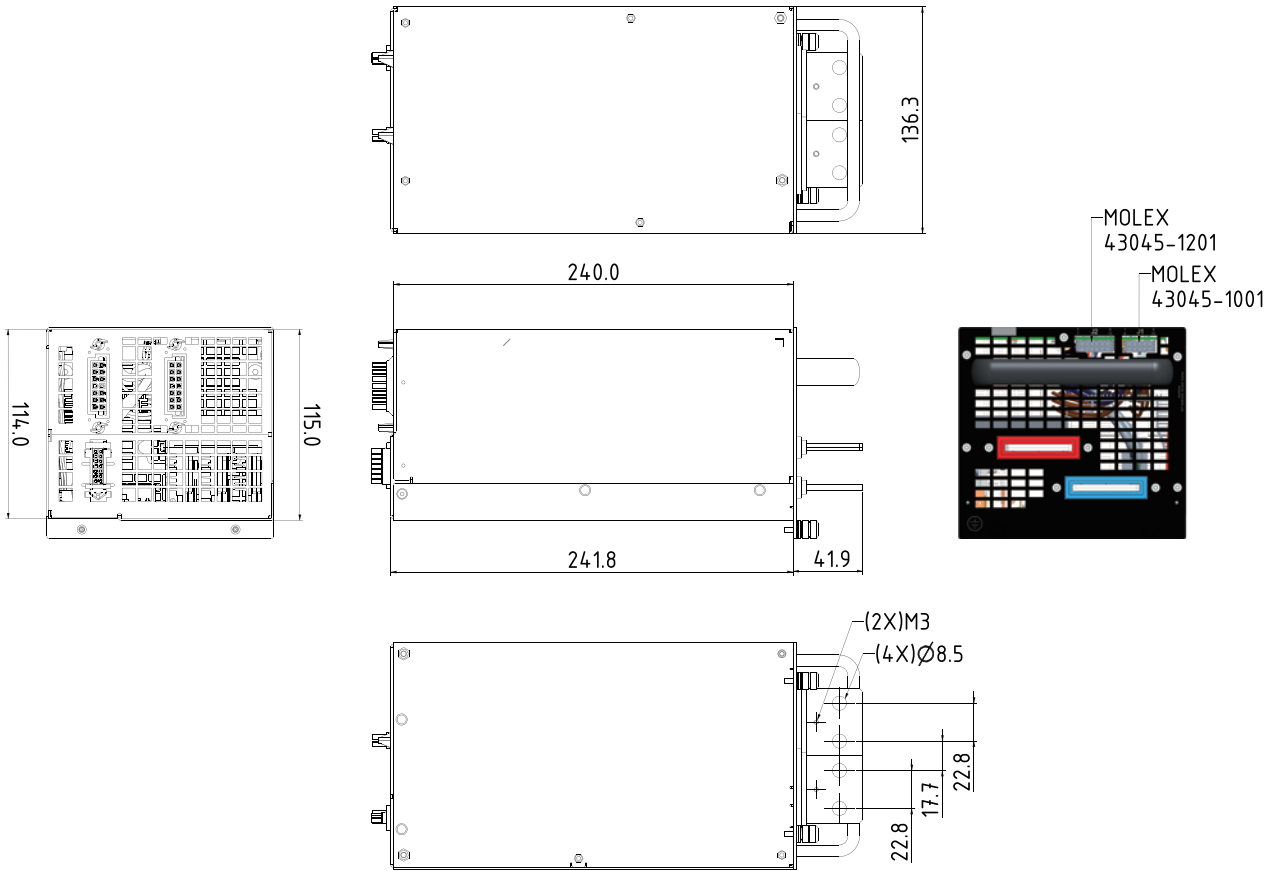
IHP24C SERIES - MECHANICAL DRAWINGS



IHP MODULES - MECHANICAL DRAWINGS



12KW MODULES - MECHANICAL DRAWINGS



POWERPRO CONNECT MODULE



POWERPRO

Part number:73-778-000A

The PowerPro Connect Module (purchased separately) can provide standard Ethernet interface via the internet to a cloud- and dashboard-based user-configurable GUI.



For international contact information,
visit advancedenergy.com.

powersales@aei.com (Sales Support)
productsupport.ep@aei.com (Technical Support)
+1 888 412 7832

ABOUT ADVANCED ENERGY

Advanced Energy (AE) has devoted more than three decades to perfecting power for its global customers. AE designs and manufactures highly engineered, precision power conversion, measurement and control solutions for mission-critical applications and processes.

Our products enable customer innovation in complex applications for a wide range of industries including semiconductor equipment, industrial, manufacturing, telecommunications, data center computing, and medical. With deep applications know-how and responsive service and support across the globe, we build collaborative partnerships to meet rapid technological developments, propel growth for our customers, and innovate the future of power.

PRECISION | POWER | PERFORMANCE

Specifications are subject to change without notice. Not responsible for errors or omissions. ©2020 Advanced Energy Industries, Inc. All rights reserved. Advanced Energy®, AE® and Artesyn™ are U.S. trademarks of Advanced Energy Industries, Inc.