



CCT Cyclic Corrosion Test Cabinets

Meet the environmental testing requirements.

www.cw-spec.com

The C&W Cyclic Corrosion Test Cabinets (CCT) are designed to continuously deliver the precise environmental test conditions demanded by modern industry. Their reliability, ease of operation and robust construction has led to their use worldwide in all major sectors from automotive manufacture, to the paint, plastics, packaging, electronics, aerospace, military and offshore industries.

Pioneering designs have made C&W the UK leader in the manufacture of accelerated corrosion and environmental test cabinets.



Automatic self filling humidifier system for compressed air saturation.



Internal humidification system for high humidity generation, 98% RH, with automatic level control.

Operating Modes

The C&W CCT cabinet provides a full range of environmental test conditions including:

- ✓ Conventional salt spray/ salt fog.
- ✓ High humidity, 98% RH, at constant or cyclic temperatures.
- ✓ Dry heat – ambient to 70°C.
- ✓ Dwell and ramp functions.
- ✓ Air purge cycles.
- ✓ Forced air drying.
- ✓ Ambient to 55°C +/- 1°C.

With its user-friendly programme logic controller, any one or any combination of these conditions can be selected, programmed in any sequence and for any pre-set time. CCT cabinets can also be used in single mode as the following: Cyclic Prohesion® Cabinet, CASS Cabinet, Conventional Salt Spray/ Salt Fog Cabinet, Humidity Cabinet.

Optimum Operation

Effective corrosion testing requires rapid transition between test regimes with minimum fluctuation. In C&W's CCT cabinets these criteria are assured by:

- ✓ Dry/moist air facility included.
- ✓ Sophisticated atomiser ensuring even distribution of salt spray and precise collection rates throughout the chamber.
- ✓ Fully adjustable water temperature control with digital display.
- ✓ Overheating and low water protection.
- ✓ Easy access for filling and sterilisation to prevent excessive growth of algae.
- ✓ Optional low level alarm system available.

Standards

C&W CCT cabinets conform to all leading corporate, national and international standards including:

British/ISO/EN Standards:

ISO 7253, ISO 9227, BS 3900 F12

German Standards:

DIN 50021

American Standards:

ASTM B117

Japanese Standards:

JIS-K 5622-7

Corporate Standards:

Toyota TSH 1555G, Ford EU B 153-2, VDA 624-415, VW-1210-C, Renault, , SWAAT + Mastmaasis Honda 5100Z, GM 9540 P, Nissan M0007, CCT I, II & IV, Unichem 692 & 741.



Warranty

Subject to agreed maintenance procedures a two year warranty is available. The standard warranty is one year.



Air purge to remove corrosion air borne salt fog prior to sample inspection.



Mobile external salt solution reservoir with integral filter system. 114 litre capacity giving approximately 10 days continuous operation.

Precise Control

C&W cabinets are designed for ease of operation. All units incorporate a microprocessor controller with the capacity to hold up to 7 programmes with unlimited event entries. Rapid programme selection and the facility to create new programmes to meet specific needs, puts the operator in total control.

- ✓ Programme run cycle counter with 'End of Test' facility.
- ✓ The ability to monitor cycles, events and functions is made possible by the comprehensive package of control and display features.
- ✓ Full visual display of all events, cycles and test conditions.
- ✓ Accurate salt solution flow control via a variable speed, heavy duty peristaltic pump and flow meter. This ensures precise collection rates and eliminates atomizer blockage.
- ✓ Air regulator and gauge to control and monitor the air pressure required for precise salt spray rates.

Design Benefits

CCT cabinets, with their clean, functional design are manufactured from high quality materials selected specifically for this application.

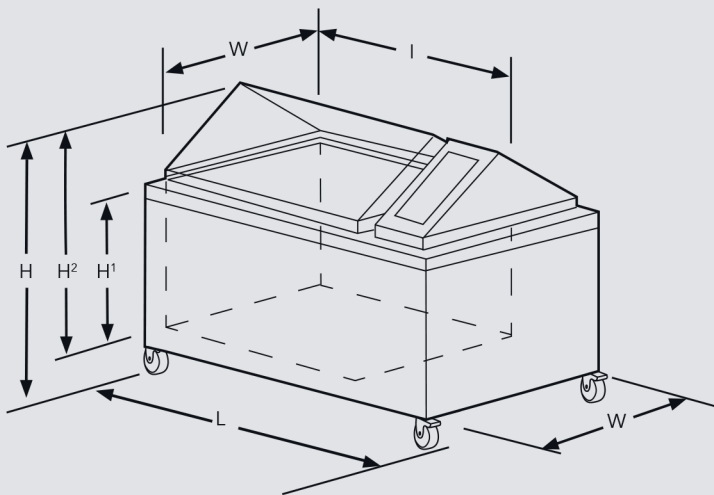
- ✓ Installation in areas of restricted access is made easier due to the compact design aided by wheels and removable lids.
- ✓ Wet or dry seal option.
- ✓ Specially formulated retardant glass reinforced polyester (GRP) with high chemical and temperature tolerance.
- ✓ Apex lids are available in a range of composite materials depending on test requirements, and supported by gas springs.
- ✓ Ergonomically designed control panel.
- ✓ Corrosion resistant construction throughout.



Technical Specifications

Models	CW1401 100 litre	CW1402 200 litre	CW1404 450 litre	CW1407 750 litre	CW1410 1000 litre	CW1420 2000 litre
External Dimensions	L	1020 mm	1000 mm	1330 mm	1730 mm	2760 mm
	W	730 mm	830 mm	1020 mm	1290 mm	1360 mm
	H	780 mm	1040 mm	1120 mm	1370 mm	1650 mm
Internal Dimensions	I	600 mm	610 mm	825 mm	1120 mm	2000 mm
	W	450 mm	510 mm	635 mm	870 mm	1000 mm
	H ¹	375 mm	455 mm	610 mm	760 mm	850 mm
	H ²	538 mm	625 mm	810 mm	1050 mm	1175 mm
Panel Capacity	72	80	132	210	344	516
Power Supply Amp	13	16	16	13	32	3 Phase 380 V 50/60Hz
Style	TableTop	Floor Mounted				
Compressed Air	Type: Clean, dry, oil free Pressure: 2 to 4 bar (30 to 60 psi)		Flow: 3.5 cfm at 15 psi Connection: 10 mm ID plastic pipe		6 to 8 bar (90 to 120 psi)	

The External and internal dimension may vary a few centimeters.



Power Supply	230 V 50/60Hz single phase, other voltages on request
Water Type	De-ionised or mains water below 50mg/litre TDS
Water Pressure	2 to 4 bar (30 to 60 psi)
Water Connection	10 mm ID plastic pipe
Drain	36 mm outside diameter plastic pipe to liquid waste with air breather / vent pipe connected
Reservoir With Lid	Supplied on castors with internal solution filter 500 mm x 620 mm x 540 mm (L x W x H)

Optional Accessories

- + Low reservoir alarm.
- + External salt fog collection vessels.
- + Salt fog condenser venting system.
- + Variable humidity – 15%RH to 98%RH with controlled temperature.
- + Compressor – available for continuous use or stand-by function: high specification, oil free.
- + Compressor switch – for automatic switch-over to stand-by or regular air supply.
- + De-ioniser & water filters – recommended for areas with hard water or high total dissolved solids (50 mg/litre TDS).
- + Entry ports – for cable access to monitoring equipment or power induction.
- + Special racking – to support components/samples in test areas as required.

All cabinets are CE marked and have calibration traceable to international standards. Certificates of Conformity are supplied on request. Due to continuous development we reserve the right to introduce improvements and /or modify specifications without prior notice.