



Humidity Conditioning Cabinets

Designed to meet environmental testing requirements.

www.cw-spec.com

C&W cabinets are designed to meet the environmental testing requirements of the paint, plastic, packaging, paper, board, electronic, automotive, aerospace, military, textile and telecommunications industries.

The units function as variable humidity, temperature humidity, environmental, climatic or conditioning cabinets. Temperature and humidity testing and product conditioning is of vital importance to the research chemist, development engineer and quality assurance manager to ensure the product is researched, developed and manufactured to a standard guaranteed to survive the environment for which it is designed. Pioneering designs have made C&W the UK leader in the manufacture of accelerated corrosion and environmental test cabinets.



Step-up-step-down programming facility of both temperature and humidity in a single program.



Full digital display of test chamber temperature and humidity level.

Standard Features

- ✓ Programme Control: The microprocessor controller has the capacity to store up to seven different test methods.
- ✓ Variable speed peristaltic pump for delivery of de-ionised water to humidification system via flowmeter.
- ✓ Freestanding condenser unit housing, air heater, cooling/conditioning coil and humidification system - fan assisted.
- ✓ NTC temperature sensor and independent capacitive RH sensor with micro membrane filter.
- ✓ Independent water reservoir supply tank with low water audible alarm.
- ✓ Automatic conditioned air injection by forced air circulation.

Standards

C&W CCT cabinets conform to all leading corporate, national and international standards including:

British/ISO/EN Standards:

ISO 7253, BS 3900 F12

German Standards:

DIN 50021

American Standards:

ASTM B117

Japanese Standards:

JIS-K 5622-7

Corporate Standards:

Toyota TSH 1555G, Ford EU B 153-2, VDA 624-415, VW-1210-C, Renault, SWAAT + Mastmaasis Honda 5100Z, , GM 9540 P, Nissan M0007, CCT I, II & IV, Unichem 692 & 741.



Warranty

Subject to agreed maintenance procedures a two year warranty is available. The standard warranty is one year.



'Soft Touch' waterproof membrane keypad control panel



Humidity generator/condenser unit supplied on castors linked to the cabinet by a Ø 100 mm flexible flow and return ducting.

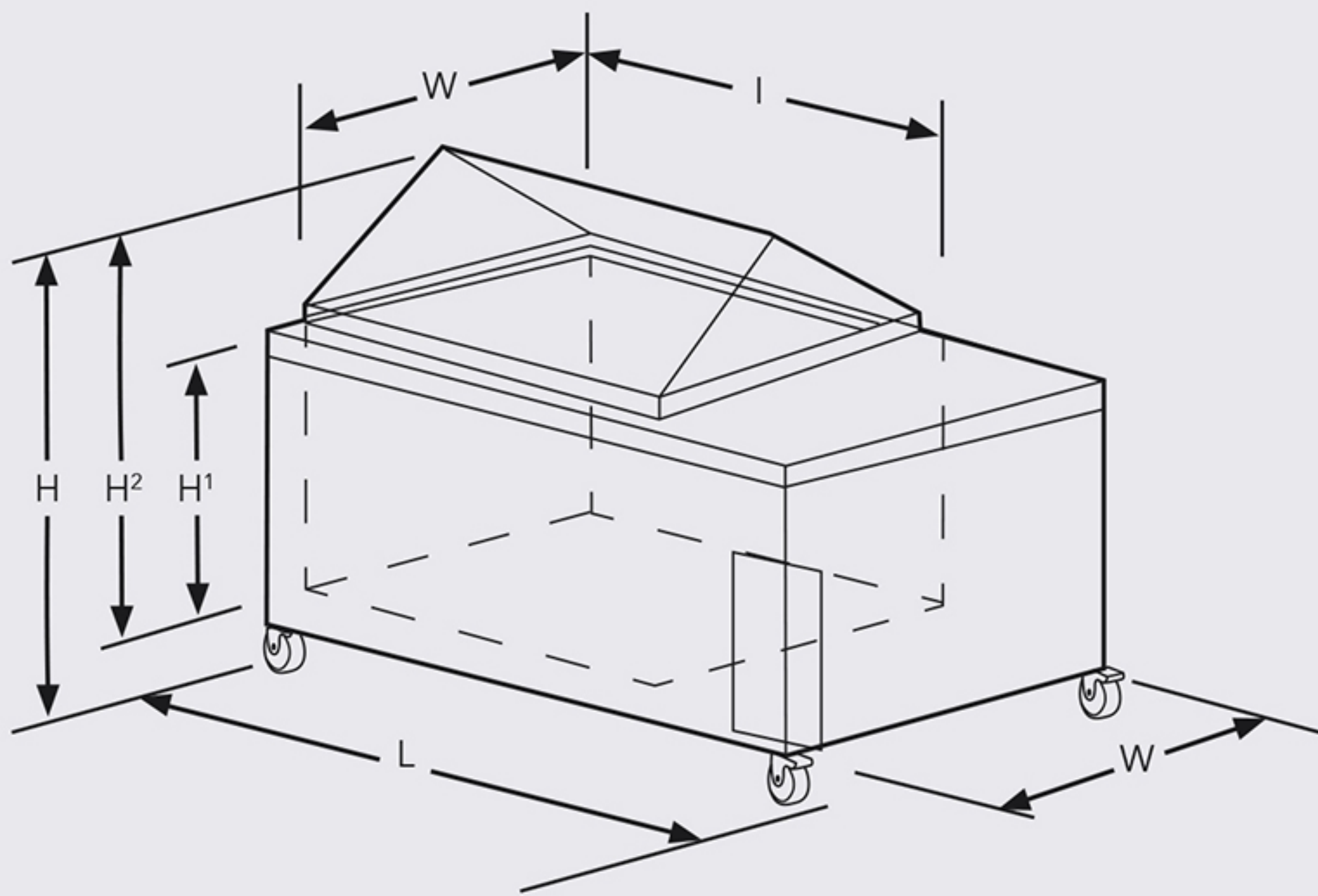
Design Features

- ✓ Maximum internal volume use with top loading access.
- ✓ Direct humidification system from vapour generator.
- ✓ Installation in areas of restricted access is made easier due to the compact design aided by wheels and removable lids.
- ✓ Additional uniform around cabinet heating.
- ✓ Insulated cabinet – fast recovery time – fast conditioning.
- ✓ Low maintenance-high quality.



Technical Specifications

Models	CW1602 200 litre	CW1604 450 litre	CW1607 750 litre	CW1610 1000 litre	CW1620 2000 litre	
External Dimensions	L	1030 mm	1370 mm	1740 mm	2750 mm	
	W	700 mm	930 mm	1230 mm	1220 mm	
	H	1035 mm	1115 mm	1365 mm	1395 mm	1630 mm
Internal Dimensions	I	610 mm	825 mm	1120 mm	1465 mm	2000 mm
	W	510 mm	635 mm	870 mm	1040 mm	1000 mm
	H ¹	455 mm	620 mm	780 mm	720 mm	850 mm
	H ²	660 mm	875 mm	1070 mm	1065 mm	1175 mm
Panel Capacity	80	132	210	344	516	
Power Supply Amp	16	16	16	32	3 Phase 380 V 50/60Hz	



Style	Floor Mounted
Condenser Unit	Floor Mounted Unit to stand next to test cabinet connected by two flexible hoses. Condenser dimensions: 700 mm x 1150 mm x 540 mm (LxWxH)
Power Supply	230 V 50/60Hz single phase, other voltages on request
Water Type	De-ionised or mains water below 50 mg/litre TDS
Water Pressure	2 to 4 bar (30 to 60 psi)
Drain	36 mm outside diameter plastic pipe to liquid waste
Reservoir With Lid	Supplied on castors with internal solution filter 500 mm x 620 mm x 540 mm (L x W x H)

Optional Extras

- + Sample racks, sample rods and spiked racks, designed to customer requirements.
- + Continuous chart temperature and humidity recorder.
- + Entry ports for sensors, air or power connections.
- + Transparent apex roof unit.

All cabinets are CE marked and have calibration traceable to international standards. Certificates of Conformity are supplied on request. Due to continuous development we reserve the right to introduce improvements and /or modify specifications without prior notice.