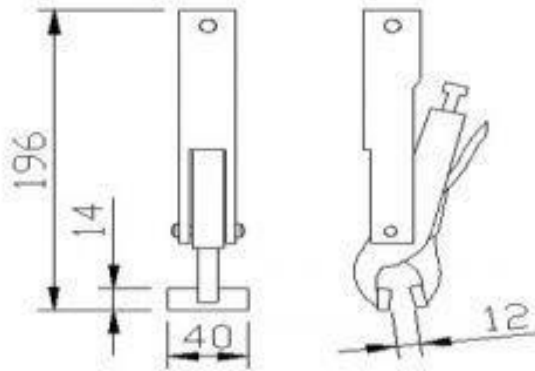


Series A Pliers Grip: Pliers Grip/Spring Loaded Fold Grip/Eccentric Grip

GR-A010 Pliers Grips

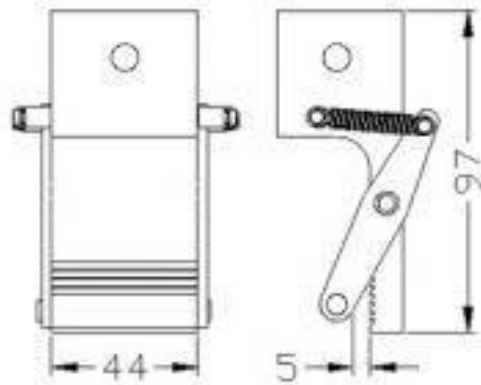
| | |
|---------------------------|-----------|
| Capacity | 2kN |
| Jaw face width | 40mm |
| Specimen thickness | 1~12mm |
| Mini. load cell | 200N |
| Temperature limits | -10~200°C |
| Temperature limits | 984g |



Suitable to test rubber, plastic film, leather and fabric.

GR-A020 Spring Loaded Fold Grips

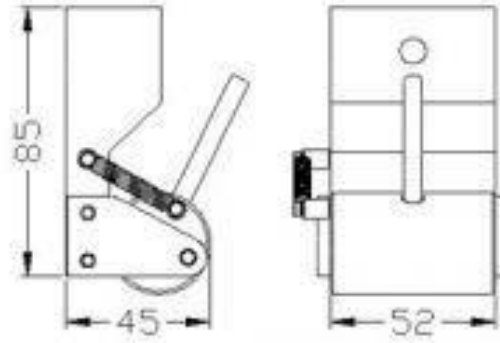
| | |
|---------------------------|-----------|
| Capacity | 2kN |
| Jaw face width | 44mm |
| Specimen thickness | 0.2~3mm |
| Mini. load cell | 200N |
| Temperature limits | -10~200°C |
| Weight | 687g |



Suitable to test rubber, plastic film and textile.

GR-A030 Eccentric Grips

| | |
|---------------------------|-----------|
| Capacity | 2kN |
| Jaw face width | 52mm |
| Specimen thickness | 0.2~4mm |
| Mini. Load cell | 200N |
| Temperature limits | -10~200°C |
| Weight | 1143g |

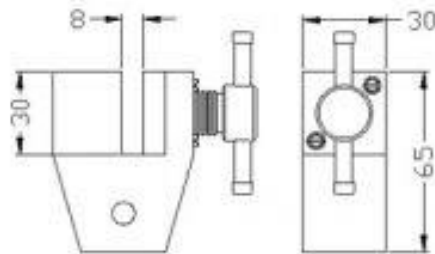


Suitable to test ductile rubber and ductile plastic.

Series B Small Single Action Vice Grip: Small single action vice grip/ Wheel peel grips/ Tape release grip/90° peel grips/ T tape adhesive grip/ Rolling peel grip/ Friction grip

GR-B010 Small single action vice grip

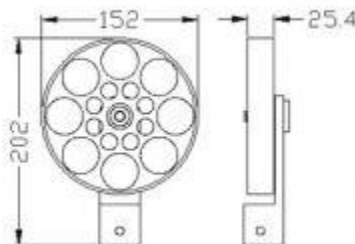
| | |
|---------------------------|-----------|
| Capacity | 200N |
| Jaw face width | 30mm |
| Specimen thickness | 0.1~3mm |
| Mini. load cell | 20N |
| Temperature limits | -10~100°C |
| Weight | 212g |



Suitable to test tape and film.

GR-B020 Wheel peel grips

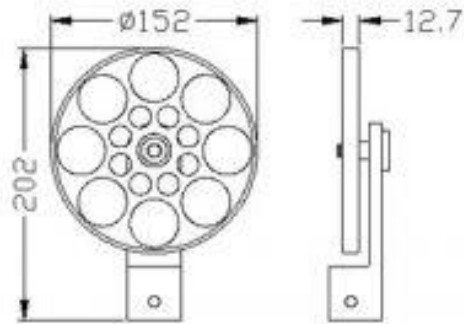
| | |
|---------------------------|-----------|
| Capacity | 200N |
| Wheel width | 25.4mm |
| Specimen thickness | 0.1~2mm |
| Temperature limits | -10~100°C |
| Weight | 949g |



Suitable to test tape, film and ductile circuit board.

GR-B02A Wheel peel grips

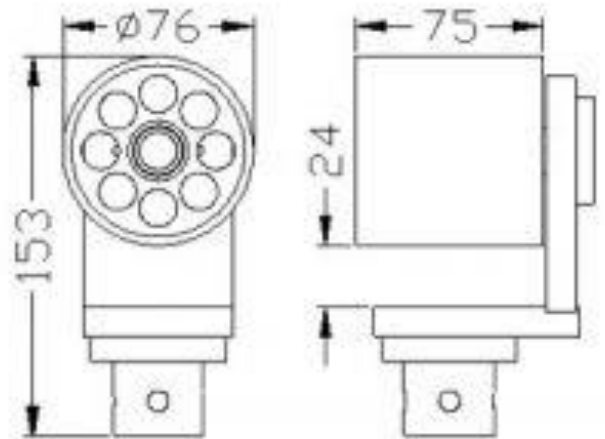
| | |
|---------------------------|-----------|
| Capacity | 200N |
| Wheel width | 12.7mm |
| Specimen thickness | 0.1~2mm |
| Temperature limits | -10~100°C |
| Weight | 440g |



Suitable to test tape, film and ductile circuit board.

GR-B02B Tape release grip

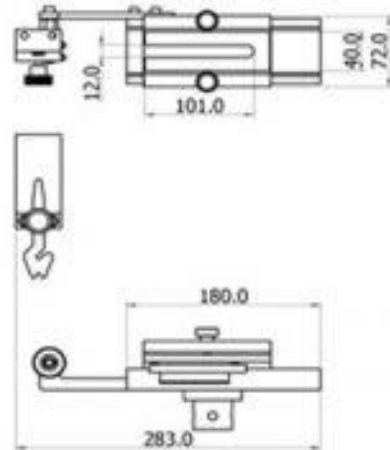
| | |
|---------------------------|-----------|
| Capacity | 200N |
| Wheel width | 75mm |
| Specimen thickness | 0.1~3mm |
| Temperature limits | -10~100°C |
| Weight | 1889g |



Suitable to test tape and film.

GR-B050 90° peel grips

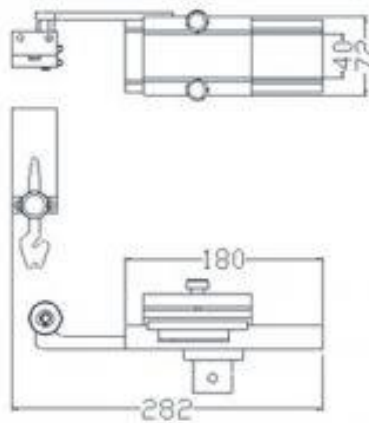
| | |
|---------------------------|----------|
| Capacity | 200N |
| Jaw face width | 5-10mm |
| Specimen thickness | 0.01~3mm |
| Temperature limits | 0~100°C |
| Weight | 2200g |



Suitable to test tape, label, ductile circuit board and hard circuit board.

GR-B040 90° peel grips

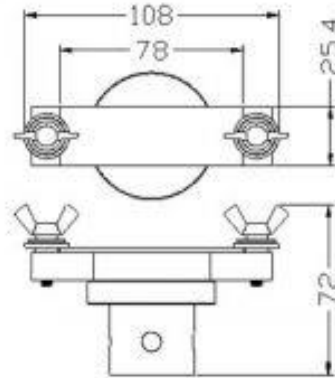
| | |
|---------------------------|-----------|
| Capacity | 200N |
| Jaw face width | 32mm |
| Specimen thickness | 0.01~2mm |
| Temperature limits | -10~100°C |
| Weight | 1992g |



Suitable to test tape, label, ductile circuit board.

GR-B110 T tape adhesive grip

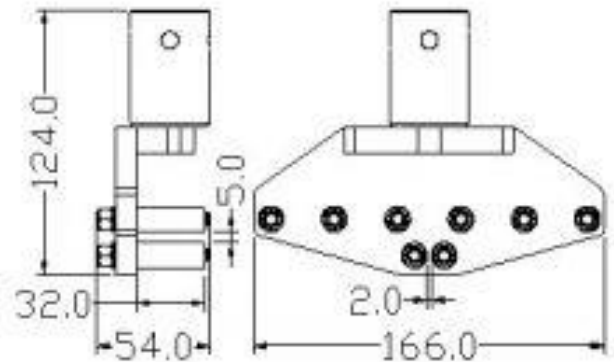
| | |
|---------------------------|----------|
| Capacity | 200N |
| Jaw face width | 25.4mm |
| Specimen thickness | 0.01~3mm |
| Temperature limits | 0~100°C |
| Weight | 575g |



Suitable to test initial adhesive test of tape.

GR-B140 Rolling peel grip

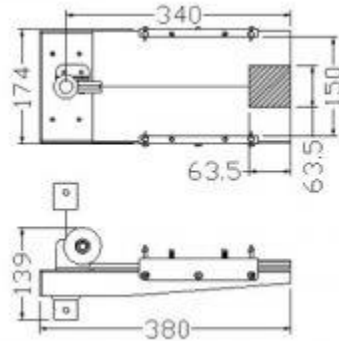
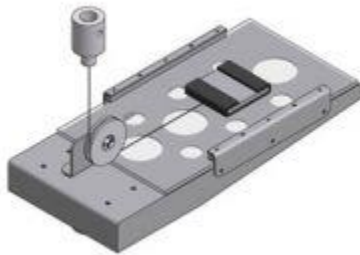
| | |
|---------------------------|-----------|
| Capacity | 200N |
| Jaw face width | 5~30mm |
| Specimen thickness | 0.1~1.5mm |
| Mini. load cell | 20N |
| Temperature limits | 0~100°C |
| Weight | 927g |



Suitable to do peel test, tape test, and hard circuit board test.

GR-B210 Friction grip

| | |
|---------------------------|---------|
| Capacity | 100N |
| Jaw face width | 150mm |
| Specimen thickness | 0.1~4mm |
| Mini. load cell | 10N |
| Temperature limits | 0~100°C |
| Weight | 4113g |

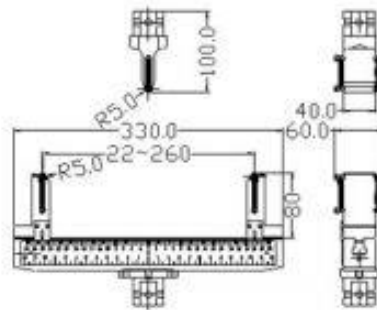


Suitable to do paper, rubber and plastic film friction test.

Series C 3 Point Bend/Flexure: 3 Point Bend/Flexure/4 Point Bend/Flexure

GR-C010 3 point bend/flexure

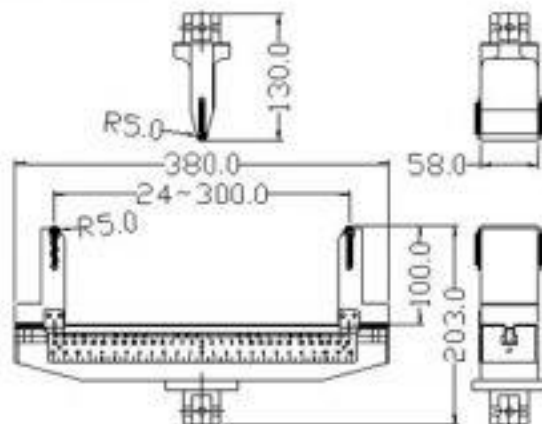
| | |
|---------------------------|----------|
| Capacity | 10kN |
| Jaw face width | 40mm |
| Span | 22~260mm |
| Mini. load cell | 200N |
| Temperature limits | 0~200°C |
| Up Weight | 801g |
| Down Weight | 5342g |



Suitable to test metal, wood, glass and rigid plastic.

GR-C020 3 point bend/flexure

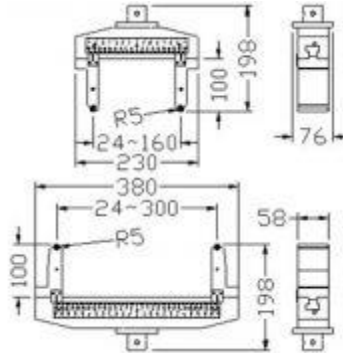
| | |
|---------------------------|----------|
| Capacity | 20kN |
| Jaw face width | 58mm |
| Span | 24~300mm |
| Mini. load cell | 500N |
| Temperature limits | 0~100°C |
| Up Weight | 1960g |
| Down Weight | 11510g |



Suitable to test metal, wood, glass and rigid plastic.

GR-C030 4 point bend/flexure

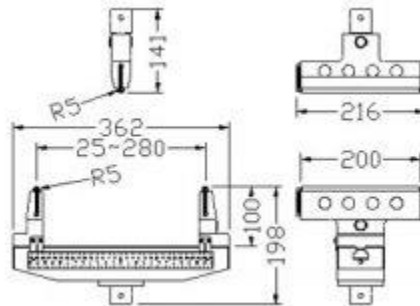
| | |
|---------------------------|----------|
| Capacity | 20kN |
| Jaw face width | 24~160mm |
| Upper Span | 24~300mm |
| Lower Span | 58mm |
| Mini. load cell | 1kN |
| Temperature limits | 0~200°C |
| Up Weight | 7800g |
| Down Weight | 11510g |



Suitable to test metal, wood, glass and rigid plastic.

GR-C040 3 point bend/flexure

| | |
|---------------------------|----------|
| Capacity | 10kN |
| Jaw face width | 200mm |
| Specimen thickness | 25~280mm |
| Mini. load cell | 1kN |
| Temperature limits | 0~200°C |
| Up Weight | 2774g |
| Down Weight | 16622g |

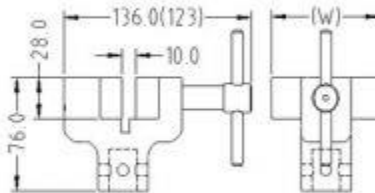


Suitable to test big size specimen.

Series D Vice Action Grip: Vice Action Grip - Serrated Face/ Vice Action Grip - Rubber Face/ Vice Action Grip - Wave Face/ Miniature Tensile Grip/ Flat Surface Strength Grip/ Single Adjustable Action Grip/ Dual-way Vice Action Grip

GR-D01 Vice Action Grip - Serrated Face

| | |
|---------------------------|---------------|
| Capacity | 2kN |
| Jaw face width | (W)mm |
| Specimen thickness | 0.2~4mm |
| Mini. load cell | 200N |
| Temperature limits | -10~200°C |
| Weight | 1600g |
| Jaw face type | Serrated Face |

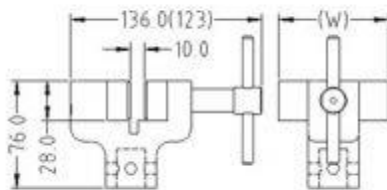


Suitable to test fabric, textile webbing, metal film, rubber and plastic.

GR-D01A : W=76.2mm GR-D01B : W=50.8mm GR-D01C : W=25.4mm

GR-D01 Vice Action Grip - Rubber Face

| | |
|---------------------------|-------------|
| Capacity | 2kN |
| Jaw face width | (W)mm |
| Specimen thickness | 0.2~4mm |
| Mini. load cell | 200N |
| Temperature limits | -10~200°C |
| Weight | 1600g |
| Jaw face type | Rubber Face |

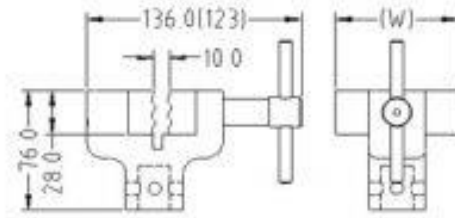


Suitable to test fabric, textile webbing, metal film, rubber and plastic.

GR-D01D : W= 76.2 mm GR-D01E : W= 50.8 mm GR-D01F : W = 25.4 mm

GR-D01 Vice Action Grip - Wave Face

| | |
|---------------------------|-----------|
| Capacity | 2kN |
| Jaw face width | (W)mm |
| Specimen thickness | 0.2~4mm |
| Mini. load cell | 200N |
| Temperature limits | -10~200°C |
| Weight | 1600g |
| Jaw face type | Wave face |

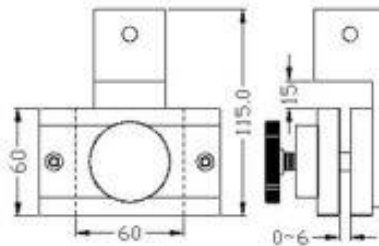


Suitable to test fabric and textile webbing

GR-D01G : W= 76.2 mm GR-D01H : W=50.8 mm GR-D01I : W = 25.4 mm

GR-D020 Miniature Tensile Grip

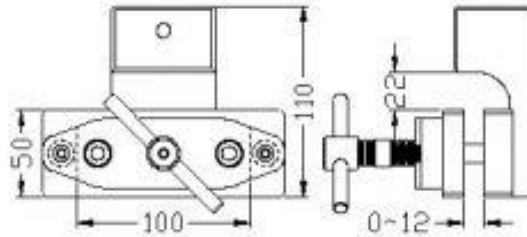
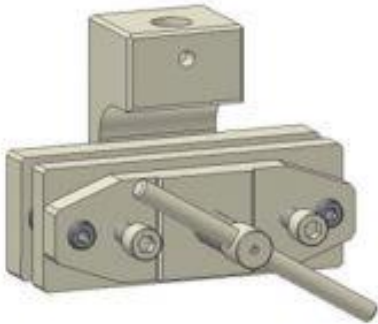
| | |
|---------------------------|-----------|
| Capacity | 5kN |
| Jaw face width | 60mm |
| Specimen thickness | 0.2~4mm |
| Mini. load cell | 200N |
| Temperature limits | -10~100°C |
| Weight | 2200g |



Suitable to test fabric, paper, textile webbing, rubber and plastic.

GR-D02A Miniature Tensile Grip

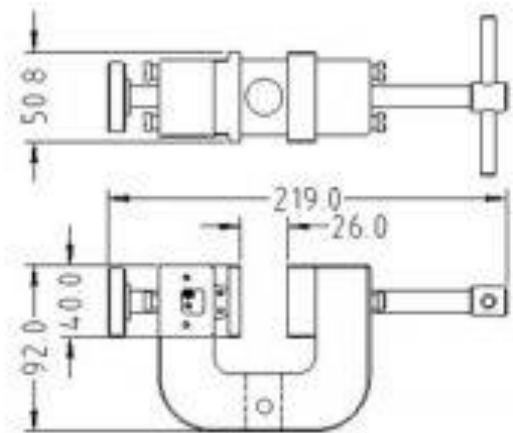
| | |
|---------------------------|-----------|
| Capacity | 10kN |
| Jaw face width | 100mm |
| Specimen thickness | 0.2~6mm |
| Mini. load cell | 500N |
| Temperature limits | -10~100°C |
| Weight | 3450g |



Suitable to test fabric, textile webbing

GR-D030 Flat Surface Strength Grip

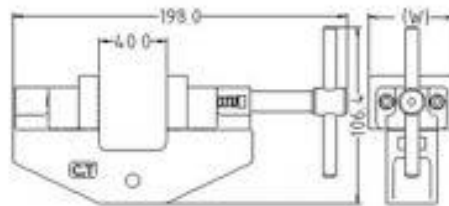
| | |
|---------------------------|-----------|
| Capacity | 5kN |
| Jaw face width | 50.8mm |
| Specimen thickness | 0.5~25mm |
| Mini. load cell | 500N |
| Temperature limits | -10~100°C |
| Weight | 2800g |



Suitable to test various fabric belts, textile webbing and plastic.

GR-D04 Single Adjustable Action Grip

| | |
|---------------------------|---------------|
| Capacity | 5kN |
| Jaw face width | (W)mm |
| Specimen thickness | 0.2~40mm |
| Mini. load cell | 200N |
| Temperature limits | -10~200°C |
| Weight | 1550g |
| Jaw face type | Serrated face |

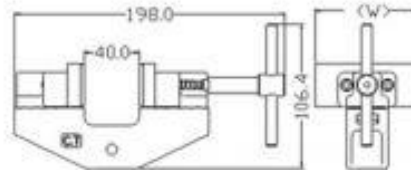
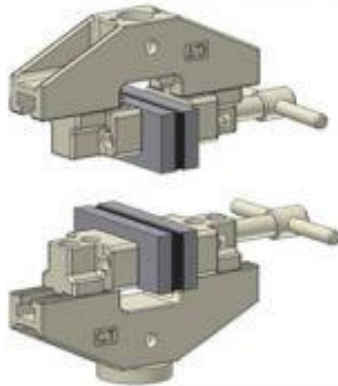


Suitable to test fabric, textile webbing, metal, film, rubber and plastic

GR-D04A : W= 76.2 mm GR-D04B : W=50.8 mm GR-D04C : W = 25.4 mm

GR-D04 Single Adjustable Action Grip

| | |
|---------------------------|-------------|
| Capacity | 5kN |
| Jaw face width | (W)mm |
| Specimen thickness | 0.2~4mm |
| Mini. load cell | 200N |
| Temperature limits | 0~200°C |
| Weight | 1456g |
| Jaw face type | Rubber face |

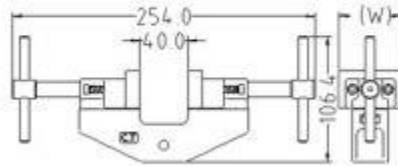


Suitable to test fabric, textile webbing, metal, film, rubber and plastic

GR-D04D : W= 76.2 mm GR-D04E : W= 50.8 mm GR-D04F : W = 25.4 mm

GR-D05 Dual-way Vise Action Grip

| | |
|---------------------------|---------------|
| Capacity | 2kN |
| Jaw face width | (W)mm |
| Specimen thickness | 0.2~40mm |
| Mini. load cell | 200N |
| Temperature limits | -10~200°C |
| Weight | 1540g |
| Jaw face type | Serrated face |

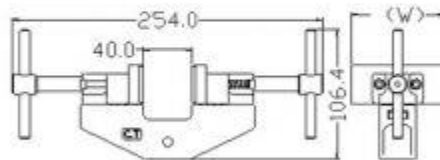
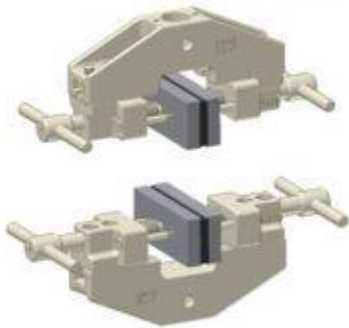


Suitable to test fabric, textile webbing, metal, film, rubber and plastic

GR-D05A : W= 76.2 mm GR-D05B : W=50.8 mm GR-D05C : W = 25.4 mm

GR-D05 Dual-way Vise Action Grip

| | |
|---------------------------|-------------|
| Capacity | 2kN |
| Jaw face width | (W)mm |
| Specimen thickness | 0.2~40mm |
| Mini. load cell | 200N |
| Temperature limits | 0~200°C |
| Weight | 1580g |
| Jaw face type | Rubber face |



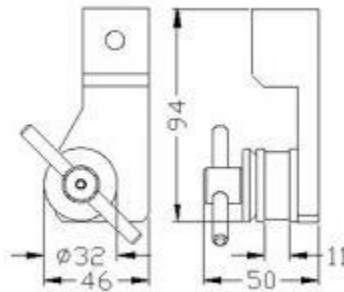
Suitable to test fabric, textile webbing, metal, film, rubber and plastic

GR-D05D : W= 76.2 mm GR-D05E : W= 50.8 mm GR-D05F : W = 25.4 mm

Series E Yarn Grip: Yarn Grip/ Textile Grip/ Plane Grip/ Small Circular Bollard Grip/ Large Circular Bollard Grip/ Plane Grip/ Large Circular Bollard Grip/ Plane Grips

GR-E010 Yarn Grip

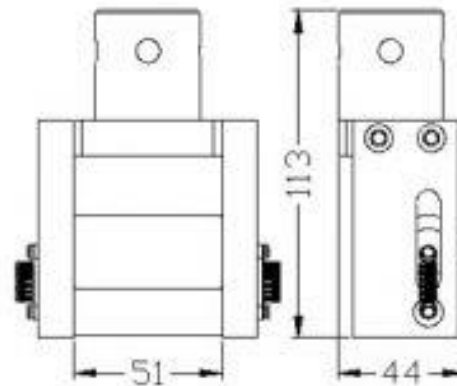
| | |
|---------------------------|-----------|
| Capacity | 200N |
| Core diameter size | Ø0.1~Ø1mm |
| Mini. load cell | 20N |
| Temperature limits | -10~200°C |
| Weight | 432g |



Suitable to test yarn, fiber and thin wire.

GR-E020 Textile Grip

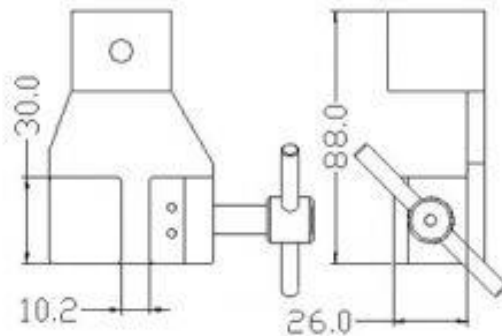
| | |
|---------------------------|---------|
| Capacity | 2kN |
| Jaw face width | 51mm |
| Core diameter size | 0.2~3mm |
| Mini. load cell | 200N |
| Temperature limits | 0~100°C |
| Weight | 1040g |



Suitable to test rope, textile webbing and plastic sheet.

GR-E030 Plane Grip

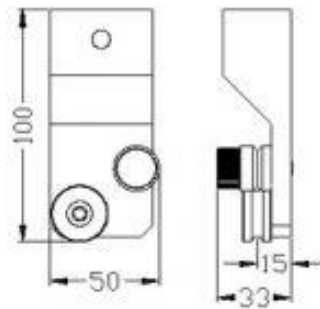
| | |
|---------------------------|-----------|
| Capacity | 500N |
| Jaw face width | 26mm |
| Specimen thickness | 0.1~2mm |
| Mini. load cell | 50N |
| Temperature limits | -10~200°C |
| Weight | 585g |



Suitable to test yarn, metal wire and flat sample.

GR-E040 Small Circular Bollard Grip

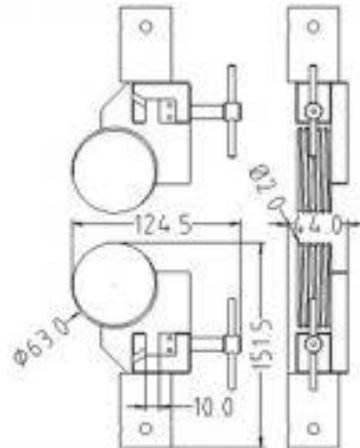
| | |
|---------------------------|-----------|
| Capacity | 200N |
| Core diameter size | Ø0.5~Ø1mm |
| Mini. load cell | 20N |
| Temperature limits | -10~200°C |
| Weight | 214g |



Suitable to test yarn and thin wire.

GR-E050 Large Circular Bollard Grip

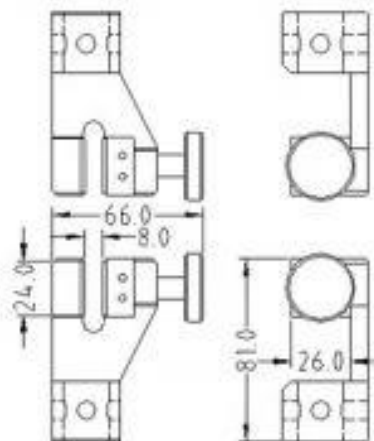
| | |
|---------------------------|-----------|
| Capacity | 2kN |
| Core diameter size | Ø0.5~Ø2mm |
| Mini. load cell | 100N |
| Temperature limits | -10~200°C |
| Weight | 1400g |



Suitable to test yarn, metal wire and nylon wire.

GR-E060 Plane Grip

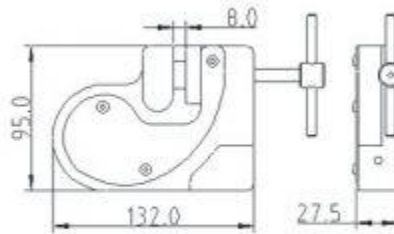
| | |
|---------------------------|---------|
| Capacity | 200N |
| Jaw face width | 26mm |
| Specimen thickness | 0.1~3mm |
| Mini. load cell | 20N |
| Temperature limits | 0~100°C |
| Weight | 170g |



Suitable to test thin wire, film and flat sheet such as paper.

GR-E080 Large Circular Bollard Grip

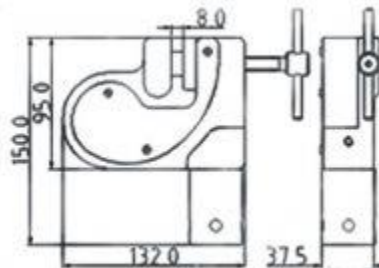
| | |
|---------------------------|-------------|
| Capacity | 5kN |
| Jaw face width | 15mm |
| Core diameter size | Ø0.1~Ø4.0mm |
| Mini. load cell | 200N |
| Temperature limits | 0~200°C |
| Weight | 1960g |



Suitable to test yarn, nylon wire and thin wire.

GR-E08A Plane Grips

| | |
|---------------------------|-------------|
| Capacity | 5kN |
| Jaw face width | 25mm |
| Core diameter size | Ø0.1~Ø4.0mm |
| Mini. load cell | 200N |
| Temperature limits | 0~200°C |
| Weight | 2050g |

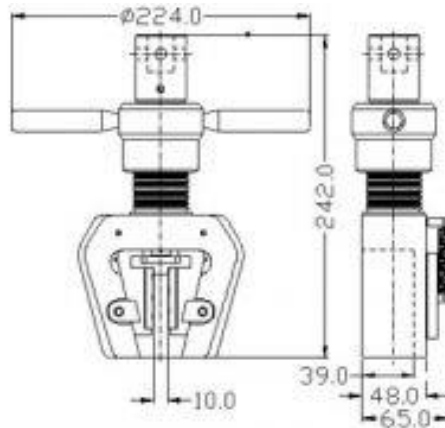


Suitable to test yarn, nylon wire and thin wire.

Series F Wedge Grip: Wedge Grip

GR-F010 Wedge Grip

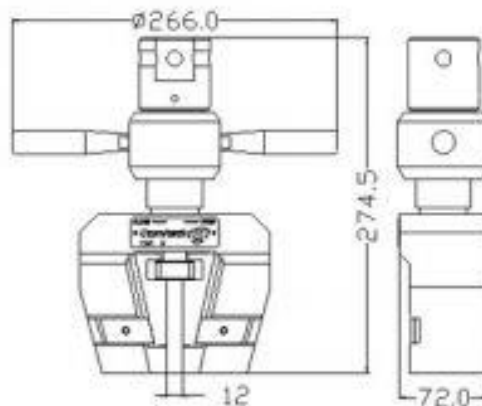
| | |
|---------------------------|-----------|
| Capacity | 10kN |
| Jaw face width | 30mm |
| Mini. load cell | 1kN |
| Temperature limits | -10~200°C |
| Weight | 5375g |



F01A/B is suitable to test metal sheet, metal wire, plastic and high tension material.
F01F/G is suitable to test metal rod, plastic rod, and rod or tube material.

GR-F020 Wedge Grip

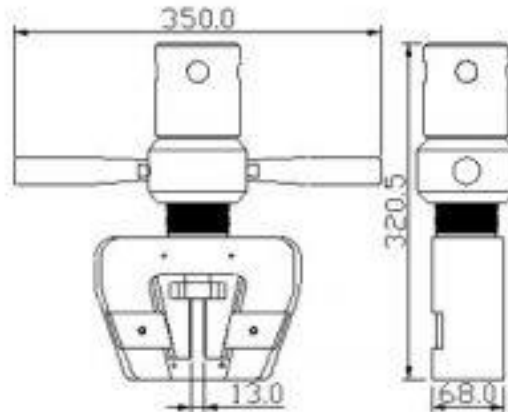
| | |
|---------------------------|-----------|
| Capacity | 50kN |
| Jaw face width | 40mm |
| Mini. load cell | 5kN |
| Temperature limits | -10~200°C |
| Weight | 10163g |



F02A/B is suitable to test rigid wire and board.
F02F/G is suitable to test metal rod, plastic rod, and rod or tube material.

GR-F030 Wedge Grip

| | |
|---------------------------|-----------|
| Capacity | 100kN |
| Jaw face width | 46mm |
| Mini. load cell | 10kN |
| Temperature limits | -10~200°C |
| Weight | 17522g |

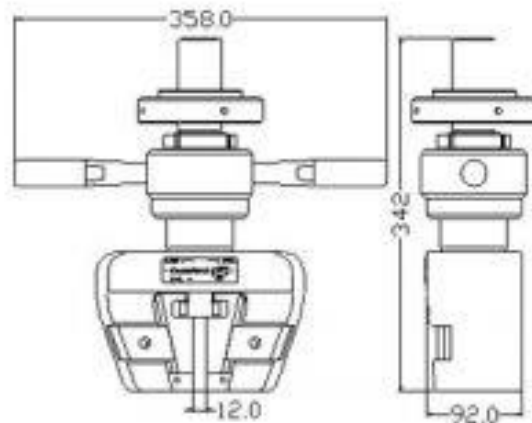


F03A/B/C is suitable to test wire and board.

F03F/G is suitable to test metal rod, plastic rod, and rod or tube material.

GR-F040 Wedge Grip

| | |
|---------------------------|-----------|
| Capacity | 200kN |
| Jaw face width | 46mm |
| Mini. load cell | 20kN |
| Temperature limits | -30~200°C |
| Weight | 19150g |

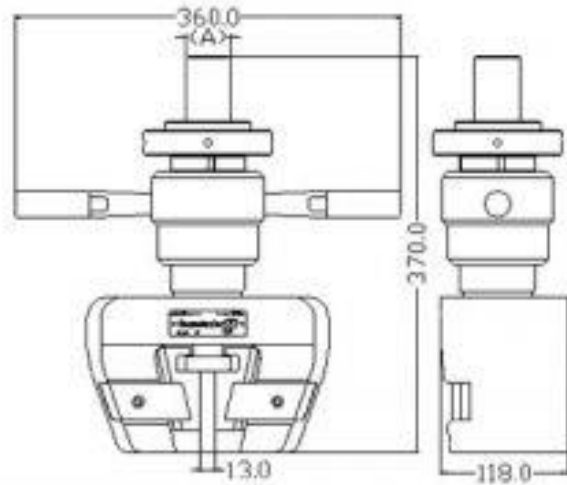


F04A/B/C is suitable to test wire and board.

F04F/G is suitable to test metal rod, plastic rod, and rod or tube material.

GR-F050 Wedge Grip

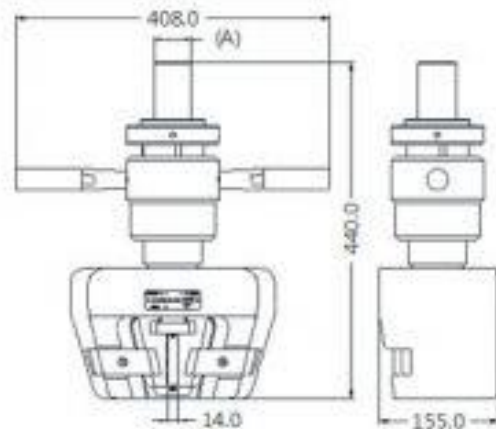
| | |
|---------------------------|---------|
| Capacity | 300kN |
| Jaw face width | 50mm |
| Mini. load cell | 20kN |
| Temperature limits | 0~100°C |
| Weight | 21000g |



F05A/B is suitable to test metal wire and metal board.
 F05F/G is suitable to test metal rod and plastic rod.

GR-F060 Wedge Grip

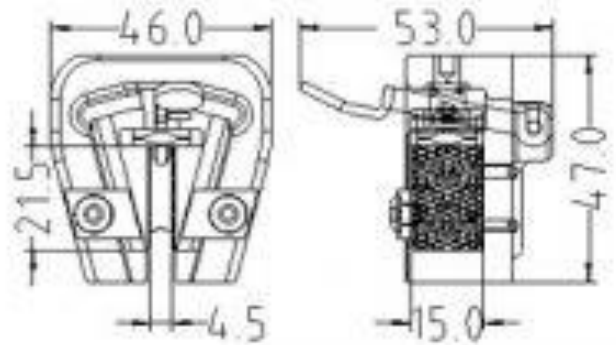
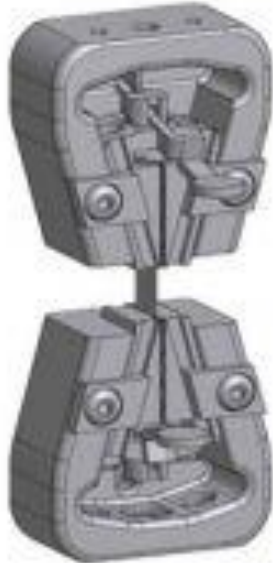
| | |
|---------------------------|---------|
| Capacity | 500kN |
| Jaw face width | 50mm |
| Mini. load cell | 30kN |
| Temperature limits | 0~100°C |
| Weight | 54000g |



F06A/B is suitable to test metal wire and metal board.
 F06F/G is suitable to test metal rod and plastic rod.

GR-F130 Wedge Grip

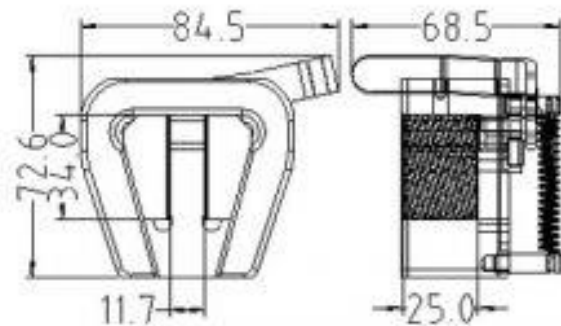
| | |
|---------------------------|---------|
| Capacity | 2N |
| Jaw face width | 15mm |
| Grip width | 1-4mm |
| Mini. load cell | 20N |
| Temperature limits | 0~100°C |
| Weight | 264g |



Suitable to test ductile plastic, ductile metal sheet and ductile metal rod.

GR-F140 Wedge Grip

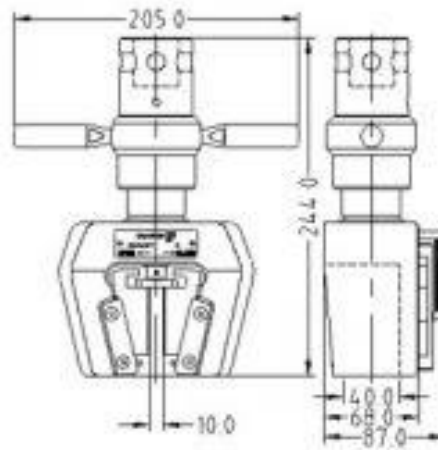
| | |
|---------------------------|---------|
| Capacity | 5kN |
| Jaw face width | 25mm |
| Grip width | 1-10mm |
| Mini. load cell | 50N |
| Temperature limits | 0~100°C |
| Weight | 976g |



Suitable to test ductile plastic, ductile metal sheet and ductile metal rod.

GR-F220 Wedge Grip

| | |
|---------------------------|---------|
| Capacity | 25kN |
| Jaw face width | 40mm |
| Mini. load cell | 2kN |
| Temperature limits | 0~100°C |
| Weight | 8207g |



F22A/B Suitable to test metal sheet, metal wire, plastic and high tension material.
F22F Suitable to test metal rod, plastic rod, and rod or tube material.

Series G Compression Platen: Compression Platens/ Self-aligning Compressed
Platen/ Spring Platen/
GR-G010 Compression Platens

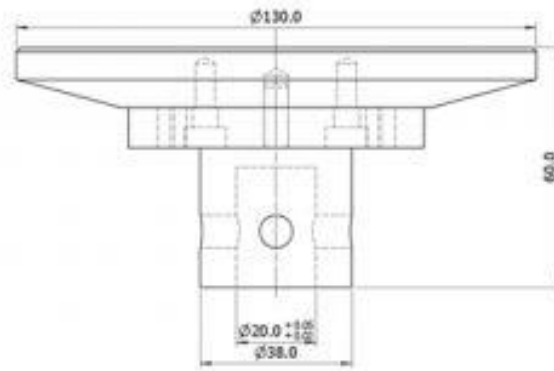
| | |
|---------------------------|-----------|
| Capacity | 10kN |
| Max. diameter | 50mm |
| Mini. load cell | 50N |
| Temperature limits | -70~100°C |
| Weight | 400g |



Suitable to test can and brittle material.

GR-G01A Compression Platens

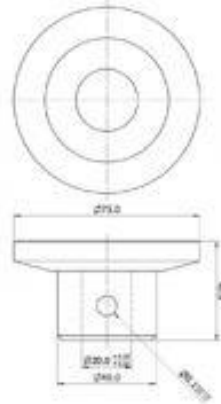
| | |
|---------------------------|-----------|
| Capacity | 20kN |
| Max. diameter | 130mm |
| Mini. load cell | 200N |
| Temperature limits | -70~200°C |
| Weight | 1825g |



Suitable to test can and brittle material.

GR-G01B Compression Platens

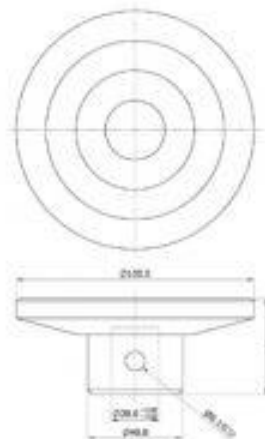
| | |
|---------------------------|-----------|
| Capacity | 20kN |
| Max. diameter | 75mm |
| Mini. load cell | 100N |
| Temperature limits | -70~200°C |
| Weight | 717g |



Suitable to test can and brittle material.

GR-G01C Compression Platens

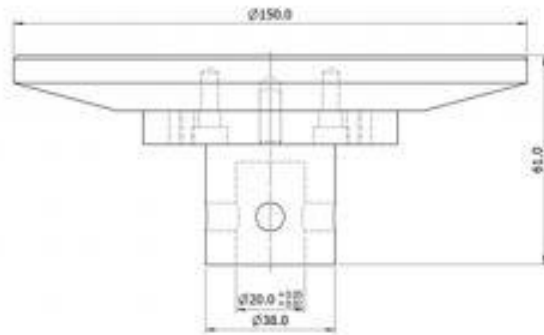
| | |
|---------------------------|-----------|
| Capacity | 20kN |
| Max. diameter | 100mm |
| Mini. load cell | 200N |
| Temperature limits | -70~200°C |
| Weight | 1182g |



Suitable to test can and brittle material.

GR-G01D Compression Platens

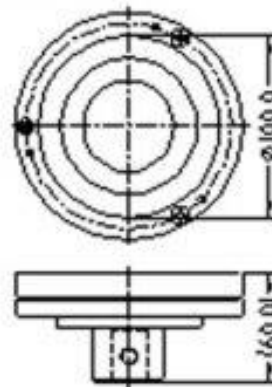
| | |
|---------------------------|-----------|
| Capacity | 20kN |
| Max. diameter | 150mm |
| Mini. load cell | 500N |
| Temperature limits | -70~200°C |
| Weight | 2403g |



Suitable to test can and brittle material.

GR-G020 Compression Platens

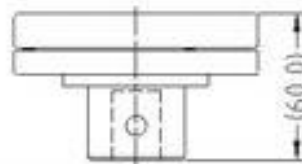
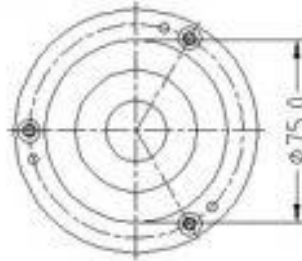
| | |
|---------------------------|-----------|
| Capacity | 5kN |
| Max. diameter | 50mm |
| Temperature limits | -70~100°C |
| Weight | 1096g |



Suitable to test spring and foam.

GR-G02B Compression Platens

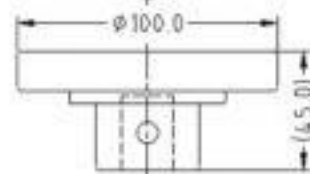
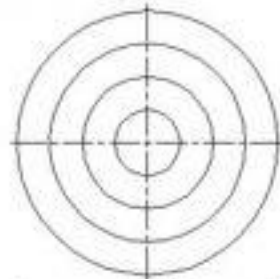
| | |
|---------------------------|-----------|
| Capacity | 5kN |
| Max. diameter | 75mm |
| Temperature limits | -70~200°C |
| Weight | 1772g |



Suitable to test spring and foam.

GR-G02C Compression Platens

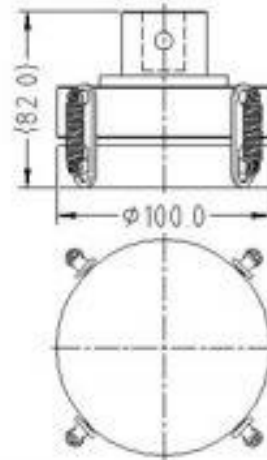
| | |
|---------------------------|-----------|
| Capacity | 10kN |
| Max. diameter | 100mm |
| Temperature limits | -70~200°C |
| Weight | 2685g |



Suitable to test spring and foam.

GR-G03C Self-aligning Compressed Platen

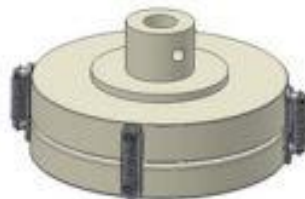
| | |
|---------------------------|-----------|
| Capacity | 20kN |
| Max. diameter | 100mm |
| Mini. load cell | 500N |
| Temperature limits | -10~200°C |
| Weight | 3269g |



Suitable to test concrete.

GR-G03D Self-aligning Compressed Platen

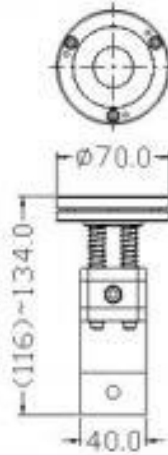
| | |
|---------------------------|-----------|
| Capacity | 20kN |
| Max. diameter | 150mm |
| Mini. load cell | 500N |
| Temperature limits | -10~100°C |
| Weight | 3269g |



Suitable to test concrete.

GR-G040 Spring Platen

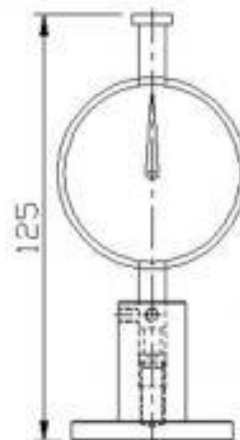
| | |
|---------------------------|-----------|
| Capacity | 100N |
| Max. diameter | 30mm |
| Temperature limits | -10~100°C |
| Weight | 850g |



Suitable to test spring and foam.

GR-G04A Gig for return to zero

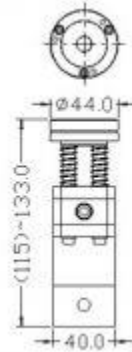
| | |
|----------------------------|-----------|
| Rang of application | 105~125mm |
| Effective stroke | 20mm |
| Temperature limits | 0~100°C |
| Weight | 192g |



Suitable to test zero jig for spring compression plate.

GR-G04B Compression Platens

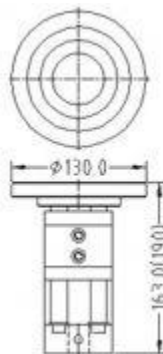
| | |
|---------------------------|-----------|
| Capacity | 100N |
| Max. diameter | 30mm |
| Temperature limits | -10~100°C |
| Weight | 850g |



Suitable to test small spring compression.

GR-G060 Compression Platens

| | |
|---------------------------|-----------|
| Capacity | 5kN |
| Max. diameter | Ø 150mm |
| Temperature limits | -10~100°C |
| Weight | 4435.5g |
| Usage Area | Ø 100mm |

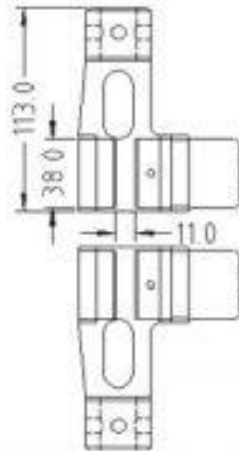


Suitable to test spring and foam.

Series H Small Pneumatic Plane Grip: Small Pneumatic Plane Grips/ Small Pneumatic Grip/ Pneumatic String Grips/ Pneumatic Grips

GR-H010 Small Pneumatic Plane Grips

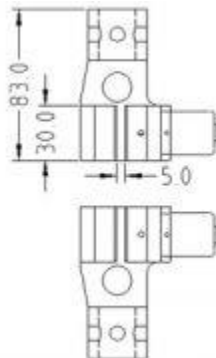
| | |
|---------------------------|---------|
| Capacity | 100N |
| Jaw face width | 30mm |
| Specimen thickness | 0.1~3mm |
| Mini. load cell | 20N |
| Temperature limits | 0~40°C |
| Weight | 480g |



Suitable to test plastic, rubber film, wire and paper.

GR-H020 Small Pneumatic Grip

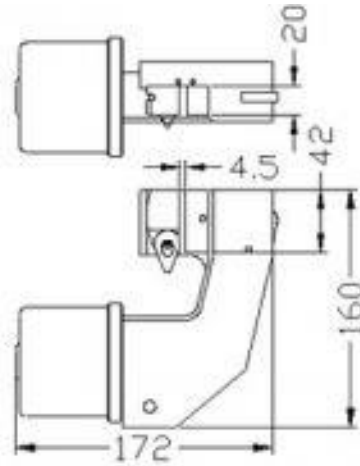
| | |
|---------------------------|---------|
| Capacity | 20N |
| Jaw face width | 16mm |
| Specimen thickness | 0.1~3mm |
| Mini. load cell | 10N |
| Temperature limits | 0~40°C |
| Weight | 197g |



Suitable to test plastic film and wire.

GR-H040 Pneumatic String Grips

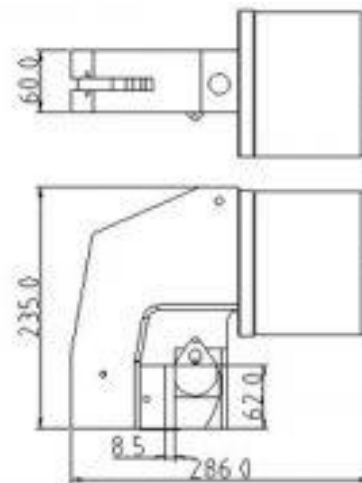
| | |
|---------------------------|---------|
| Capacity | 1kN |
| Specimen thickness | 0.1~4mm |
| Mini. load cell | 200N |
| Temperature limits | 0~40°C |
| Weight | 2503g |



Suitable to test high tension nylon wire.

GR-H04A Pneumatic String Grips

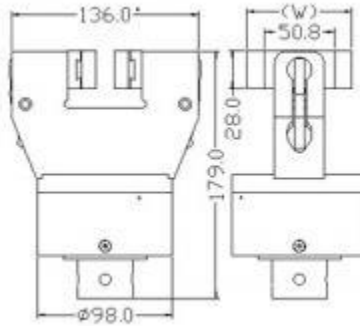
| | |
|---------------------------|---------|
| Capacity | 3kN |
| Specimen thickness | 0.1~6mm |
| Mini. load cell | 200N |
| Temperature limits | 0~40°C |
| Weight | 9033g |



Suitable to test high tension nylon wire.

GR-H130 Pneumatic Grips

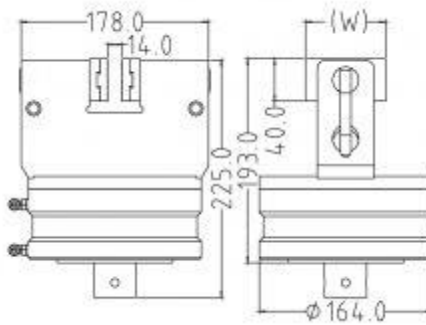
| | |
|---------------------------|---------------------------|
| Capacity | 1kN |
| Jaw face width | (w)mm |
| Specimen thickness | 1) 0.1~12mm 2) 11~22mm |
| Mini. load cell | 200N |
| Temperature limits | 0~40°C |
| Weight | 3226g |



Suitable to test fabric, paper, leather and rubber and plastic sheet.

GR-H170 Pneumatic Grips

| | |
|---------------------------|----------|
| Capacity | 5kN |
| Jaw face width | (W)mm |
| Specimen thickness | 0.5~12mm |
| Mini. load cell | 1kN |
| Temperature limits | -10~60°C |
| Weight | 7900g |

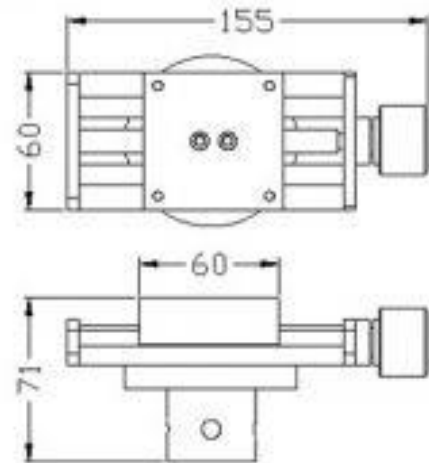


Suitable to test rubber and plastic.

Series I Uniaxial Grip: Uniaxial Grip/ Biaxial Grips/ Adjusted Grip/ Screwed Collect Grip

GR-I010 Uniaxial Grip

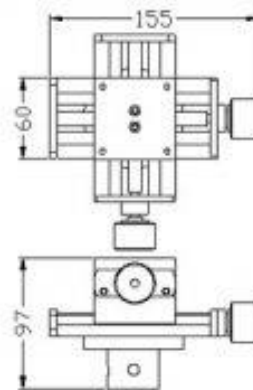
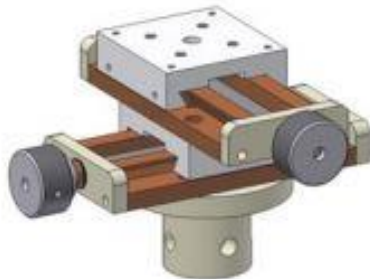
| | |
|---------------------------|---------|
| Platen area | 60x60mm |
| Range of movement | ±25mm |
| Temperature limits | 0~200°C |
| Weight | 1463g |



Install on a platform can make X-shift.

GR-I01A Biaxial Grips

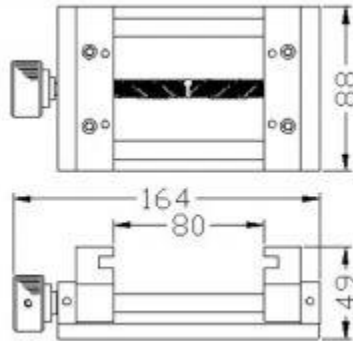
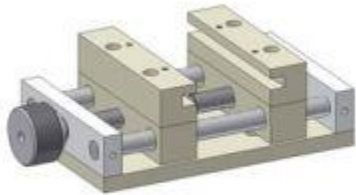
| | |
|---------------------------|---------|
| Platen area | 60x60mm |
| Range of movement | ±25mm |
| Temperature limits | 0~100°C |
| Weight | 2452g |



Install on a platform which can adjust X and Y shift.

GR-I020 Adjusted Grip

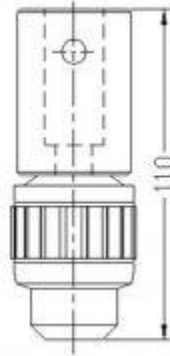
| | |
|---------------------------|---------|
| Capacity | 500N |
| Jaw face width | 88mm |
| Specimen thickness | 80mm |
| Temperature limits | 0~100°C |
| Weight | 2256g |



Install on a platform which can adjust X and Y shift.

GR-I030 Screwed Collect Grip

| | |
|---------------------------|---------|
| Capacity | 500N |
| Jaw face width | 1~9mm |
| Mini. load cell | 100N |
| Temperature limits | 0~100°C |
| Weight | 621g |

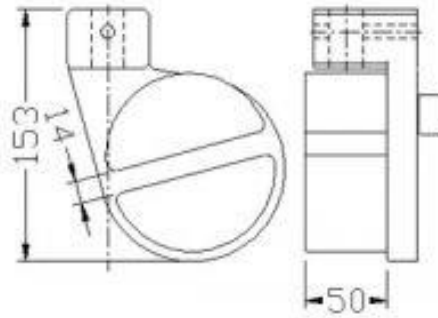


Suitable to test rod, small diameter material.

Series J Heavy Duty Belt Grip: Heavy Duty Belt Grip/ Heavy Duty Belt Grip/
Webbing Grip

GR-J010 Heavy Duty Belt Grip

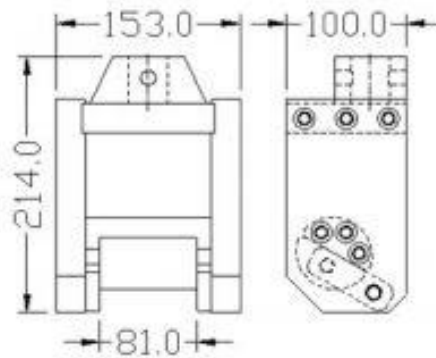
| | |
|---------------------------|---------|
| Capacity | 10kN |
| Jaw face width | 50mm |
| Specimen thickness | 0.5~4mm |
| Mini. load cell | 2kN |
| Temperature limits | 0~100°C |
| Weight | 4900g |



Suitable to test textile webbing and high-tension material.

GR-J020 Heavy Duty Belt Grip

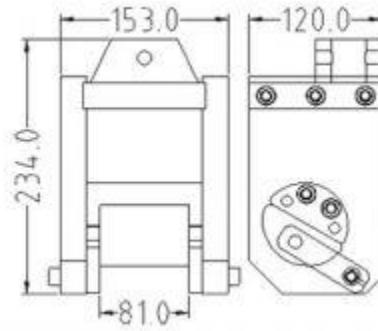
| | |
|---------------------------|-----------|
| Capacity | 20kN |
| Jaw face width | 81mm |
| Specimen thickness | 0.5~3mm |
| Mini. load cell | 2kN |
| Temperature limits | -30~200°C |
| Weight | 11975g |



Suitable to test textile webbing and high-tension material.

GR-J02A Webbing Grip

| | |
|---------------------------|-----------|
| Capacity | 50kN |
| Jaw face width | 81mm |
| Specimen thickness | 0.5~3mm |
| Mini. load cell | 2kN |
| Temperature limits | -30~200°C |
| Weight | 15960g |

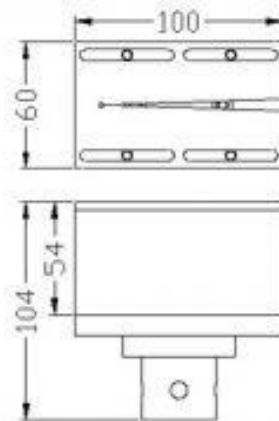


Suitable to test textile webbing and high-tension material.

Series K Zipper Grip: Zipper Grip/ Spring Hook Grip/ Big Narrow Grip/ Large Pinch Grip/ Pinch Grip/ Hook Grip

GR-K010 Zipper Grip

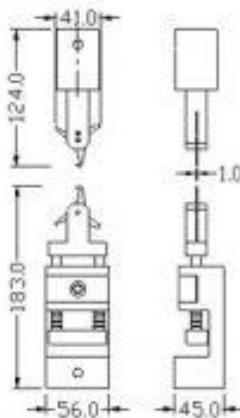
| | |
|---------------------------|-----------|
| Capacity | 500N |
| Jaw face width | 50mm |
| Specimen thickness | 0.5~4mm |
| Mini. load cell | 50N |
| Temperature limits | -30~200°C |
| Weight | 1727g |



Suitable to test zipper.

GR-K020 Spring Hook Grip

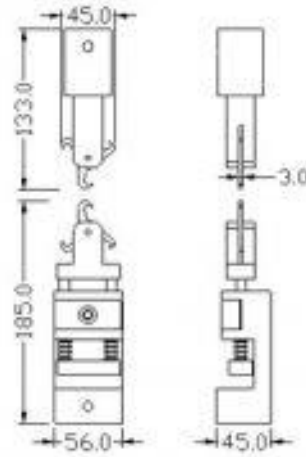
| | |
|----------------------------|-------------|
| Capacity | 200N |
| Wire diameter range | φ0.5~φ2.5mm |
| Mini. load cell | 20N |
| Temperature limits | -10~200°C |
| Up Weight | 470g |
| Down weight | 1748g |



Suitable to test spring.

GR-K02A Spring Hook Grip

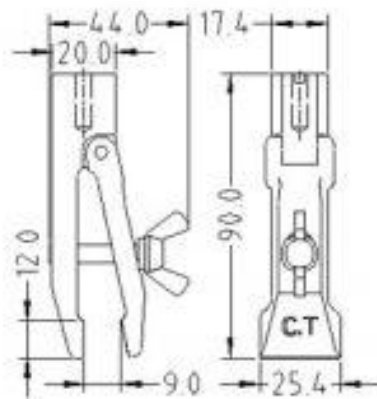
| | |
|----------------------------|-------------|
| Capacity | 200N |
| Wire diameter range | φ3.0~φ6.0mm |
| Mini. load cell | 50N |
| Temperature limits | -10~200°C |
| Up Weight | 620g |
| Down Weight | 1804g |



Suitable to test spring.

GR-K030 Big Narrow Grip

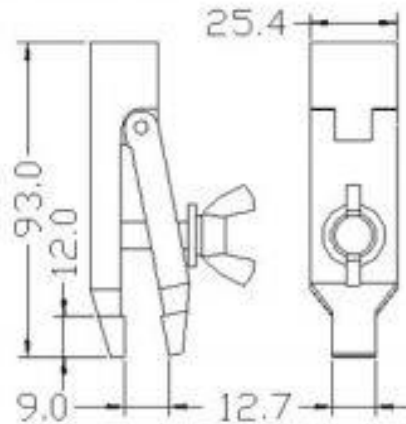
| | |
|---------------------------|-----------|
| Capacity | 500N |
| Jaw face width | 25.4mm |
| Specimen thickness | 0.2~5mm |
| Mini. load cell | 20N |
| Temperature limits | -10~200°C |
| Weight | 195g |



Suitable to test ductile sheet or small size specimen.

GR-K03A Large Pinch Grip

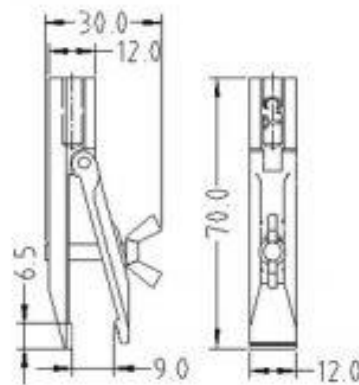
| | |
|---------------------------|---------|
| Capacity | 500N |
| Jaw face width | 12.7mm |
| Specimen thickness | 0.2~5mm |
| Mini. load cell | 20N |
| Temperature limits | 0~100°C |
| Weight | 700g |



Suitable to test ductile sheet or small size specimen.

GR-K03B Pinch Grip

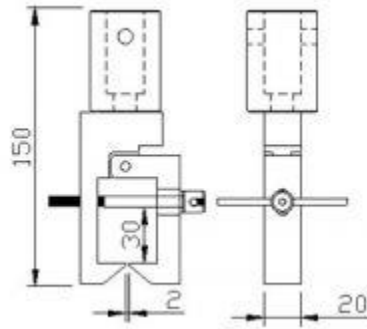
| | |
|---------------------------|-----------|
| Capacity | 200N |
| Jaw face width | 0.2~3mm |
| Specimen thickness | 12mm |
| Mini. load cell | 10N |
| Temperature limits | -10~200°C |
| Weight | 54g |



Suitable to test ductile sheet or small size specimen.

GR-K040 Hook Grip

| | |
|---------------------------|---------|
| Capacity | 500N |
| Jaw face width | 20mm |
| Specimen thickness | 0.2~3mm |
| Mini. load cell | 50N |
| Temperature limits | 0~100°C |
| Weight | 827g |

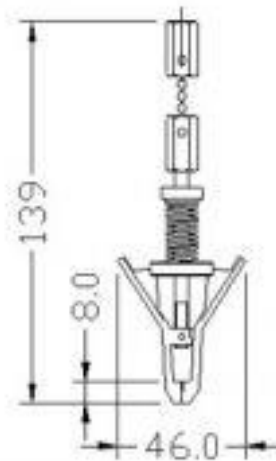


Suitable to test terminal connector pull test.

Series L Elasticity Grip: Elasticity Grip/ Narrow Grip/ Button Grip

GR-L010 Elasticity Grip

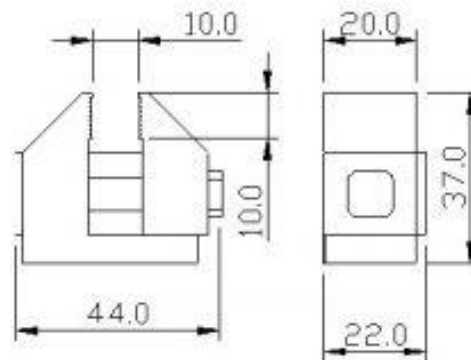
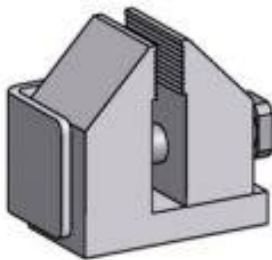
| | |
|---------------------------|---------|
| Capacity | 10N |
| Jaw face width | 9mm |
| Specimen thickness | 0.1~2mm |
| Mini. load cell | 10N |
| Temperature limits | 0~100°C |
| Weight | 35g |



Suitable to test ductile sheet or release paper.

GR-L020 Narrow Grip

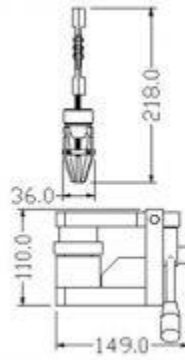
| | |
|---------------------------|---------|
| Capacity | 10N |
| Jaw face width | 20mm |
| Specimen thickness | 0.1~9mm |
| Mini. load cell | 10N |
| Temperature limits | 0~100°C |
| Weight | 123g |



Suitable to test plastic and paper.

GR-L030 Button Grip

| | |
|---------------------------|--------------------------------------|
| Capacity | 300N |
| Wire diameter | $\varphi 5 \sim \varphi 15\text{mm}$ |
| Mini. load cell | 200N |
| Temperature limits | 0~200°C |
| Weight | 4393g |

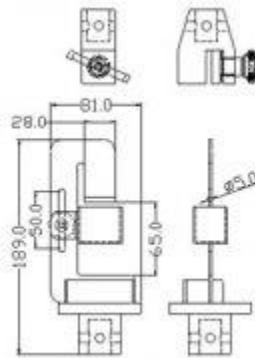


Suitable to test bottom pulling.

Series M Tensile Grip: Finch Wet Tensile Strength Grip/ Short Distance Compressive Grip

GR-M010 Finch Wet Tensile Strength Grip

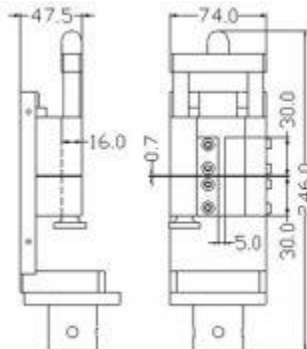
| | |
|---------------------------|------------|
| Capacity | 1kN |
| Jaw face width | 25mm |
| Specimen thickness | 230mm |
| Mini. load cell | 50N |
| Temperature limits | 0~100°C |
| Up Weight | 212g |
| Down Weight | 877g |
| Standard | TAPPI T456 |



According to TAPPI T456, suitable to test dry and wet condition of tissue, toilet paper pulling.

GR-M020 Short Distance Compressive Grip

| | |
|---------------------------|------------|
| Capacity | 2kN |
| Jaw face width | 30x30mm |
| Specimen thickness | 16mm |
| Mini. load cell | 200N |
| Temperature limits | 0~100°C |
| Weight | 4637g |
| Standard | TAPPI T826 |

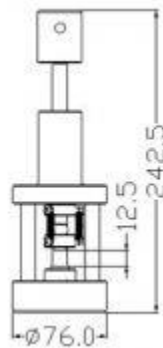


According to TAPPI T826, suitable to test paper adhesion test.

Series N Grip For Glass Compression: Grip For Glass Compression/ Ring Crush
Grip For Glass Bending

GR-N010 Grip For Glass Compression

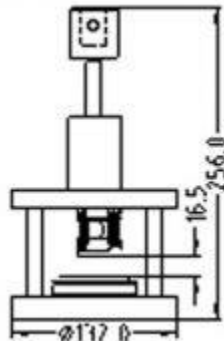
| | |
|---------------------------|---------|
| Capacity | 1kN |
| Specimen thickness | 18x18mm |
| Upper ring crush | Ø9.5 |
| Lower ring crush | Ø15.5 |
| Mini. load cell | 100N |
| Temperature limits | 0~100°C |
| Weight | 2235g |



Applicable on glass specimen test.

GR-N01A Ring Crush Grip For Glass Bending

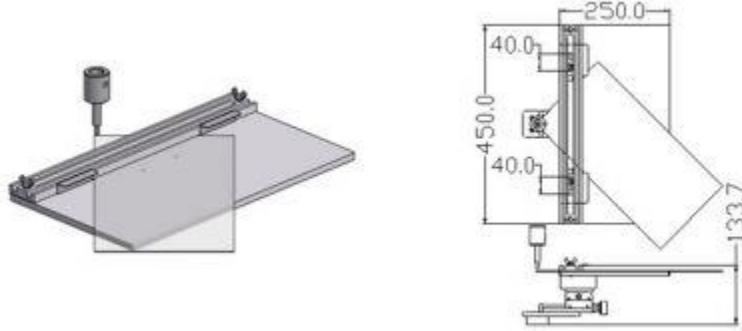
| | |
|---------------------------|----------|
| Capacity | 1kN |
| Specimen thickness | 55x55mm |
| Upper ring crush | Ø22.86mm |
| Lower ring crush | Ø52.07mm |
| Mini. load cell | 200N |
| Temperature limits | 0~100°C |
| Weight | 5420.5g |



Applicable on glass specimen test.

GR-N020 Ring Crush Grip For Glass Compression

| | |
|---------------------------|-----------|
| Capacity | 2kN |
| Jaw face width | 400x200mm |
| Specimen thickness | 0.6mm |
| Mini. load cell | 100N |
| Temperature limits | 0~200°C |
| Weight | 7202g |

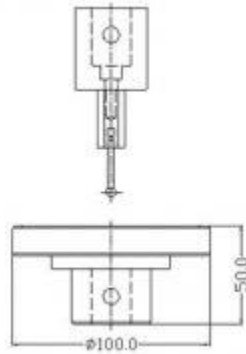


Applicable on glass angle bending, flat compression test.

Series P Puncture Grip: Puncture Grip

GR-P010 Puncture Grip

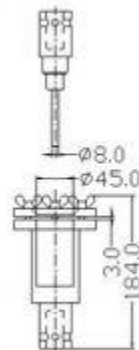
| | |
|---------------------------|-----------|
| Capacity | 1kN |
| Specimen thickness | Over 25mm |
| Mini. load cell | 10N |
| Temperature limits | 0~100°C |
| Up Weight | 97.5g |
| Down Weight | 1250g |



Applicable on food of flexible test.

GR-P020 Puncture Grip

| | |
|---------------------------|------------|
| Capacity | 1kN |
| Specimen thickness | 3mm |
| Mini. load cell | 10N |
| Temperature limits | 0~100°C |
| Up Weight | 518g |
| Down Weight | 2365g |
| Standard | ASTM D4833 |



According to ASTM D4833, plastic film puncture test.