

QC-104A MIT Folding Endurance Tester

Standard

TAPPI-T423PM, ASTM-D2176, JIS-P8115, GB/T 2679.5, ISO 5626

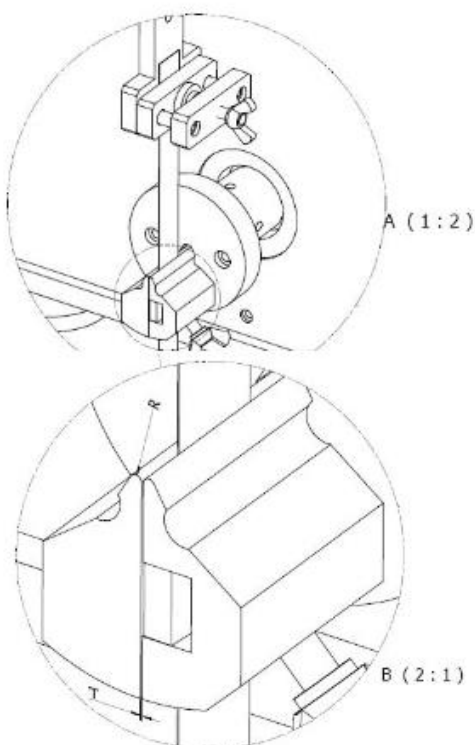
Description

This machine is to test the folding endurance of paper, aluminum foil, ductile circuit board and copper foil, etc. QC-104 Folding endurance tester grip bending side has 0.38 R angle(Different material has different regulations), after specimen clamped and then use dead weight to offer a fixed tension, lower grip swing right and left each 135 degree, test speed 175 times per minute, record swing times when specimen breaks.

Industry

Paper, Electron

Appearance



Specification

Model	QC-104A
Bending angle	+90°~-90°/+135°~ -135°
Bending speed	175±25CPM (or indicated)
Angle radius(R)	Choose one among 0.38/0.5/0.8/1.0/2.0/3.5 (Standard: 0.8)
Grip interval(T)	Choose one among 0.25/0.5/0.75/1.0/1.25 mm
Specimen tension	50~2000g attached dead weight for adjusting
Counter	0~999,999 set auto stop times
Gap between grips	70 mm
Feature	※Machine will stop immediately when sample breaks.
Power	Single phase 200 ~ 240V
Dimension	62 × 37 × 45 cm
Weight	71 kg

Related Products

QC-116 Digital Bursting Strength Tester

*Cometech reserves ultimate modification right of product specification.



COMETECH TESTING MACHINES CO.,LTD.

No.49,Ln,39,Lianucn Rd, Fengyuan Dist, Taichung City420,Taiwan

Tel:886-4-25368881 / Fax:886-4-25368883

E-mail: sales@come-tech.com.tw

URL: <http://www.come-tech.com.tw>