



## QC-636 Drop Weight Tester

### Standard

---

BS EN 1621-1-2012 、 BS EN 1621-2-2014

### Description

---

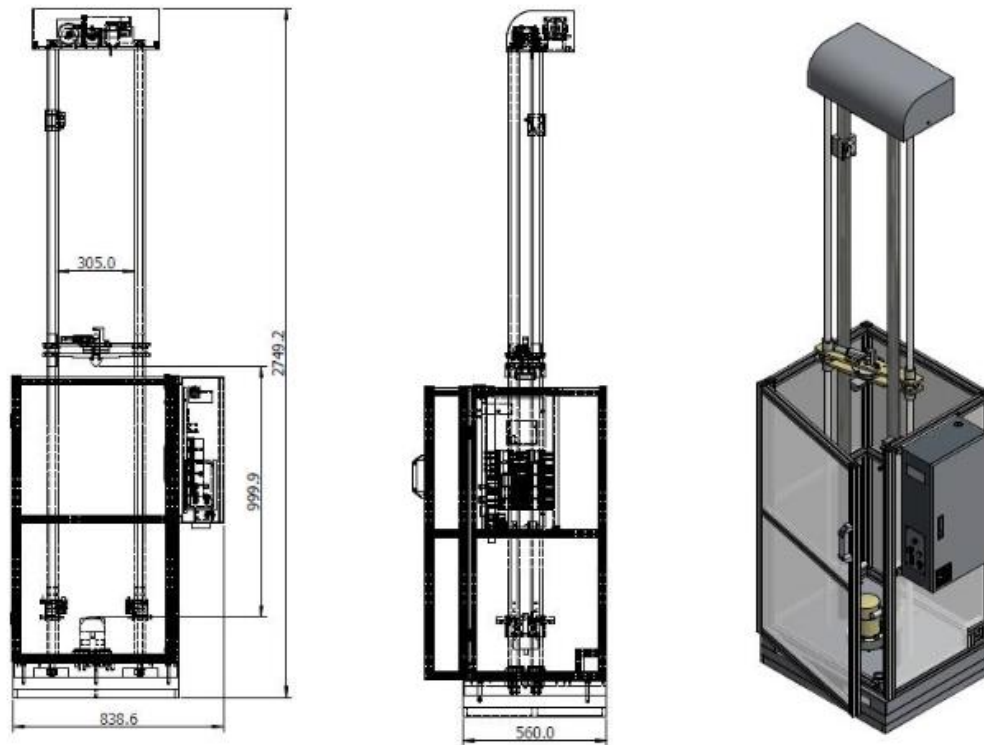
QC-636 Drop Weight Tester is suitable for the tests of cushioning material. It is equipped with a standard drop striker weighted 5kg. Normally the drop height is 100cm, which can cause about 50 joules of energy to fall vertically and hit the sample. This machine can read remaining energy absorbed by the sample be impacted by 50 joules of force. It measures the impact-absorbing capacity of packaging material used to protect personnel and sophisticated items from injury or damage

### Applied Industry

---



## Dimension



## Specification

Model	QC-636
Max. height	210cm
Test weight	5Kg
Capacity	100J
Force sensor	<ol style="list-style-type: none"> <li>1. The force sensor is higher than 125kN.</li> <li>2. The minimum precision is 1kN.</li> <li>3. Reflecting frequency is more than 8kHz.</li> </ol>
Features	<ol style="list-style-type: none"> <li>1. Impact method A/B can be exchanged.</li> <li>2. Weight lifting by electric method.</li> <li>3. The weight is controlled by electromagnet under proper safety design.</li> <li>4. In case of power-off, the weight will not be released and pose a danger.</li> <li>5. Low-resistant guiding tracks are used for weight movement.</li> <li>6. The software analyzes the test and displays data.</li> </ol>
Accessory	Software
Dimension	84x56x275cm

## EN 1621-1 (A method)

---

### Drop striker:

1. Flat and polished striking face with dimension 40x80mm.
2. Round edges with 5mm radius( $r=5\text{mm}$ ).

### Anvil:

1. Hemispherical surface made of polished steel with a radius of 50mm.
2. Height: 180mm.

## EN 1621-2 (B method)

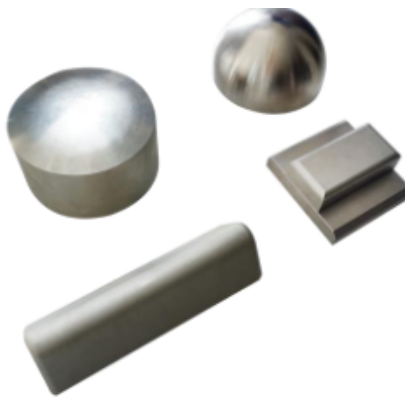
---

### Bar impactor:

1. Hemispherical face with angle  $60^\circ$ ; 12.5mm radius.
2. Height: 30.8mm.

### Anvil:

1. Made of polished steel with a radius of 150mm .
2. Height: around 190mm.



## Related Products

---

QC-637 Dropping Impact Tester

QC-638 Vertical Rebound Resilience Tester

*\*Cometech reserves ultimate right to modify specification of the product.*

---



### **COMETECH TESTING MACHINES CO.,LTD.**

No.49, Ln,39, Lianucn Rd, Fengyuan Dist, Taichung City420, Taiwan

Tel:886-4-25368881 / Fax:886-4-25368883

E-mail: [sales@come-tech.com.tw](mailto:sales@come-tech.com.tw)

URL: <http://www.come-tech.com.tw>

