



**PRODUCT**

**CATEGORIES**

- [Electronic Universal Testing Mach...](#)
- [Hydraulic Universal Testing Machi...](#)
- [Compression Tester \(http://www.h...](http://www.h...)
- [Impact Testing Machine \(http://w...](http://w...)
- [High And Low Temperature Cha...](#)
- [Specimen Making Machine \(http://...](http://...)
- [Torsion Testing Machine \(http://w...](http://w...)
- [Fatigue Testing Machine \(http://w...](http://w...)
- [Other testing machine \(http://www...](http://www...)
- [Bending Testing Machine \(http://w...](http://w...)
- [Optical cable testing machine \(htt...](htt...)
- [Spring Testing Machine \(http://ww...](http://ww...)
- [Metallographic Equipment \(http://...](http://...)
- [Hardness Tester \(http://www.hssd...](http://www.hssd...)
- [NDT Series \(http://www.hssdgrou...](http://www.hssdgrou...)

**MESSAGE BOARD**

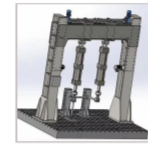
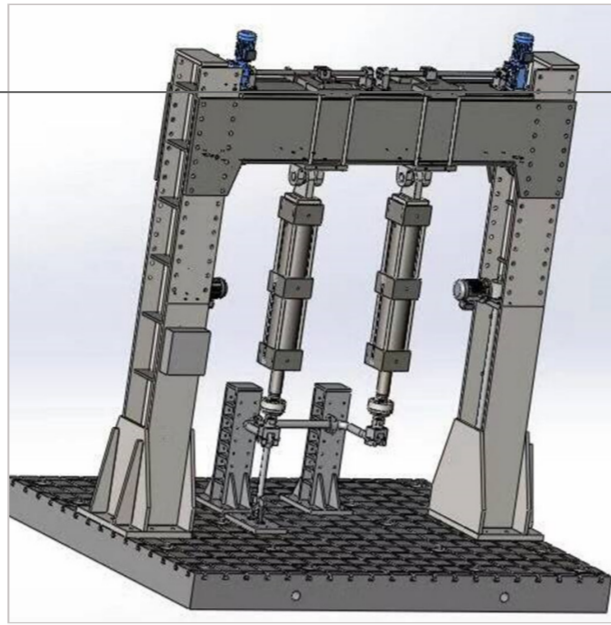
Full name

Phone

E-mail

Message

SEND



**Steel Strand Anchor Connector Fatigue Testing Machine**

**Product description:**

Steel Strand Anchor Connector Fatigue Testing Machine



([http://www.hssdgroup.com/PRODUCT/Fatigue\\_Testing\\_Machine/](http://www.hssdgroup.com/PRODUCT/Fatigue_Testing_Machine/))

Share With:

We're here to help:  
 Easy ways to get the answers you need.

[Send E-mail \(mailto:Louis@hssdtest.com\)](mailto:Louis@hssdtest.com)    [Chat Now \(skype:sales02@hssdtest.com?chat\)](skype:sales02@hssdtest.com?chat)

[PRODUCT DETAILS](#)    [PRODUCT VIDEO](#)

**Application**

HMP800-2000 steel strand anchor connector fatigue test machine is based on "GB / T14370-2007 prestressed tendon anchors, fixtures and connectors", "JT / T 329.2-1997 highway bridge prestressed steel strand Test methods and inspection rules for anchors and connectors ", " Technical conditions for anchors, clamps and connectors for prestressed tendons of railway engineering TB / T 3193-2008 ", " Technical regulations for anchors for prestressed tendons of JGJ85-2002 ", etc. The requirements of the standard, the newly developed steel strand anchor and connector pulsation fatigue testing machine, the system is suitable for the fatigue life of steel strand for prestressed concrete, anchors for prestressed tendons, clamps and connectors, etc. The cyclic load performance test is a fatigue life test and testing device with a wide range of applications, reliable performance, and low operating cost in the field of fatigue performance testing in buildings, highways, railways, bridges and other fields.  
 Mainly include PMW series pulsator host, PMCS full digital measurement and control system, 2 sets (250/500/1000/2000/2500 / 3000kN selected according to test ability) actuators, 1 set of loading frame (load capacity and selected operation) Actuators), tooling, computer data acquisition and processing system, etc. It is used to test the dynamic load fatigue performance of steel stranded anchor connectors, concrete members, etc., and can complete 35 holes at a time.

**Technical parameter**

Maximum working pressure of the system	19 / 38MPa
Maximum static test force of the system	250/500/1000/2000/2500/3000/4000 / 5000kN × 2
Maximum dynamic test force of the system	250/500/1000/2000/2500/3000/4000 / 5000kN × 2
System load indication accuracy	≤ ± 1%
<b>1000kN actuator main technical parameters</b>	
Maximum static test force	1000kN
Accuracy:	20% FS from each point ± 1%
Maximum dynamic test force	1000kN
The dynamic indication fluctuation	≤ ± 2
Maximum working vibration amplitude	15mm (Theoretical value of a single actuator)
The maximum stroke of the piston	120mm
Maximum screw extension	450mm
Operating frequency range	2-8Hz, infinitely adjustable
Counter maximum capacity	1 time / rev, 99999999
Loading frame size	designed according to test capacity
Pulsator displacement	0-1600mL / time
Pulsator main motor power	11/22 / 45kW
Number of fatigue test channels	5 , the pipeline is equipped with a switch device, which can perform single-point or multi-point synchronous fatigue test
Anchorage connector fatigue performance test ability	meet 2-35 hole simultaneous test

