

DIGITAL RADIUS GAGES



2188-55



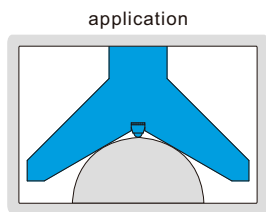
2188-323



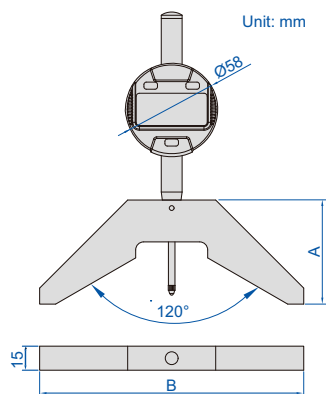
2188-143



2188-233



application



2188-P143

setting standard application



- Measure radius of external arc, arc angle of measured surface should be larger than 60°
- Display radius value, no need to calculate
- Button function: on/off, zero, data preset, inch/mm
- Keep preset data in memory after restart
- CR2032 battery, automatic power off
- Data output
- Stainless steel base
- Optional accessory: setting standards, data output cable (code 7315-50M, 7302-40M)

Setting standards

| Code | Setting standards | Remark |
|------------|-------------------------------|----------|
| 4110-10D00 | setting standard for 2188-55 | included |
| 2188-P143 | setting standard for 2188-143 | optional |
| 2188-P233 | setting standard for 2188-233 | optional |
| 2188-P323 | setting standard for 2188-323 | optional |

| Code | Range(radius) | Resolution | Accuracy | A | B |
|----------|-----------------------|----------------|----------|------|-------|
| 2188-55 | 4-53mm/0.16-2.09" | 0.01mm/0.0005" | ±0.02mm | 40mm | 65mm |
| 2188-143 | 48-143mm/1.89-5.63" | 0.01mm/0.0005" | ±0.03mm | 65mm | 165mm |
| 2188-233 | 138-233mm/5.43-9.17" | 0.01mm/0.0005" | ±0.03mm | 85mm | 255mm |
| 2188-323 | 228-323mm/8.98-12.72" | 0.01mm/0.0005" | ±0.04mm | 95mm | 345mm |