

BORE GAGES

INSIZE PLUS
MADE IN GERMANY

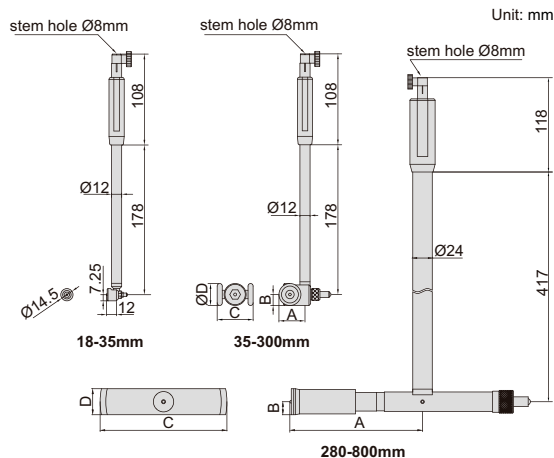
dial comparator
is optional



- Applicable for 0.01mm or 0.001mm graduation dial indicators
- Optional accessory:
 - Dial indicator or dial comparator
 - Setting ring (code **6312**)
 - Long handle (code **7352**)



2422-150



Code	Range	Accuracy (without dial comparator)	Repeatability (without dial comparator)
2422-35	18-35mm	4µm	2µm
2422-60	35-60mm	4µm	2µm
2422-150	50-150mm	4µm	2µm
2422-300	150-300mm	4µm	2µm
2422-510	280-510mm	3µm	1.5µm
2422-800	400-800mm	3µm	1.5µm

Range	A	B	C	D
35-60mm	19.5mm	10.5mm	28mm	21mm
50-150mm	30.8mm	13mm	42.5mm	26mm
150-300mm	30.8mm	13mm	76.5mm	26mm
280-510mm	164mm	16mm	156mm	32mm
400-800mm	305mm	18mm	300mm	36mm