

BORE GAGE SET

INSIZE PLUS
MADE IN GERMANY



2423-S2

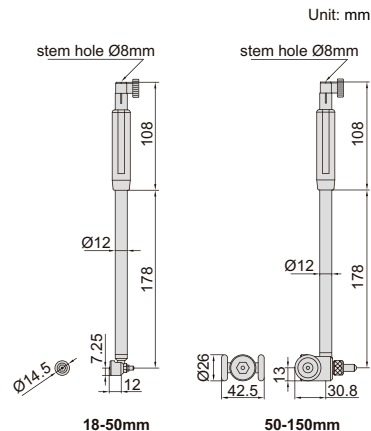
- Includes bore gages 18-50mm and 50-150mm
- Optional accessory:
 - 0.01mm or 0.001mm graduation dial indicator or dial comparator
 - Setting ring (code **6312**)
 - Long handle (code **7352**)

dial comparator is optional



18-50mm

50-150mm



Code	Range	Accuracy (without dial comparator)	Repeatability (without dial comparator)
2423-S2	18-150mm	4µm	2µm