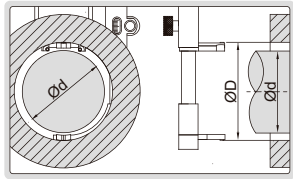


BORE GAGES FOR BARRIER INSIDE BORE

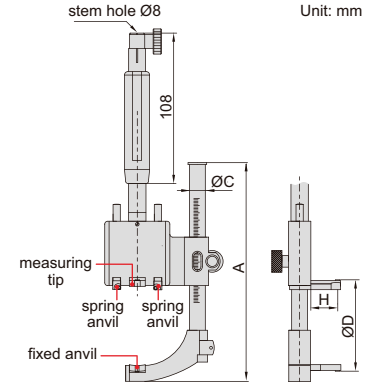
INSIZE PLUS
MADE IN GERMANY

MEASURE DIAMETER OF
BORES WITH BARRIER INSIDE

ATTENTION: NOT SUITABLE
FOR 0.001MM DIAL INDICATORS



dial indicator
is optional



Unit: mm

- Measure diameter of bores with barrier inside
- Optional accessory:
 - 0.01mm graduation dial indicators
 - Setting ring (code 6312)

2432-105

(mm)

Code	Range ØD	Diameter of barrier Ød	Travel of measuring tip	Measuring depth H	Accuracy (without dial indicator)	Measuring force	A	ØC
2432-70	25-70mm	<D-6 (less than 45mm) *	2.5	12	0.01	1.5N	115	10
2432-105	35-105mm	<D-11 (less than 70mm) *	3.0	18	0.01	2.5N	150	11
2432-210	100-210mm	<D-20 (less than 130mm) *	3.5	30	0.015	2.5N	233	15
2432-280	100-280mm	<D-20 (less than 130mm) *	3.5	30	0.015	2.5N	303	15
2432-500	200-500mm	<D-20 (less than 240mm) *	3.5	30	0.02	2.5N	622	30

- * For example, range of 2432-70 is 25-70mm, diameter of barrier is <D-6 (less than 45mm)
 When measuring size is 40mm, D-6=34mm, so the maximum diameter of barrier is 34mm.
 When measuring size is 60mm, D-6=54mm, however it should be less than 45mm, so the maximum diameter of barrier is 45mm.