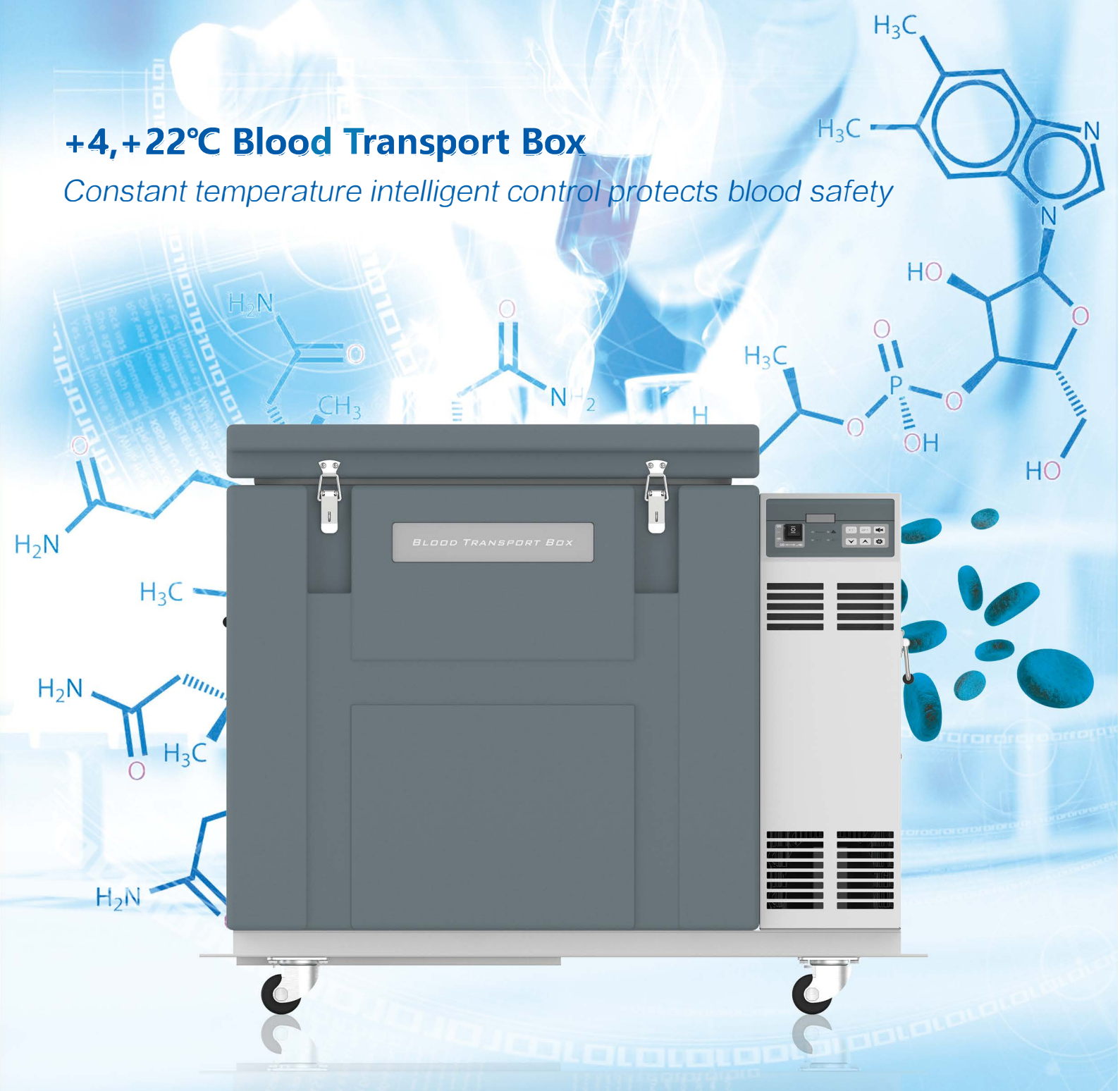





# +4,+22°C Blood Transport Box

*Constant temperature intelligent control protects blood safety*



## XC-90W



-  Dual temperature regulation, LCD display, easy to accurately observe the temperature inside the monitoring box, temperature display accuracy of 0.1 °C.
-  High precision temperature sensors, automatic temperature control module, keeping the temperature control accuracy in the box up to  $\pm 0.1$  °C.
-  International well-known brand compressor, high-efficiency condensation fan, overall noise of 40.2 decibels.





### Control System

- LCD display, easy to accurately observe the temperature inside the monitoring box, temperature display accuracy of 0.1 °C



### Refrigeration System

- Equipped with well-known brand compressor, high-efficiency condensation fan, overall noise of 40.2 decibels, compressor using AC power supply, matching vehicle batteries. Forced air cooling internal circulation temperature control, heating wire function, more safe and stable operation



### Security System

Equipped with completed sound and light alarm system, high /low temperature alarm, sensor failure alarm, power supply abnormal alarm high ambient temperature alarm, external alarm equipment interface.



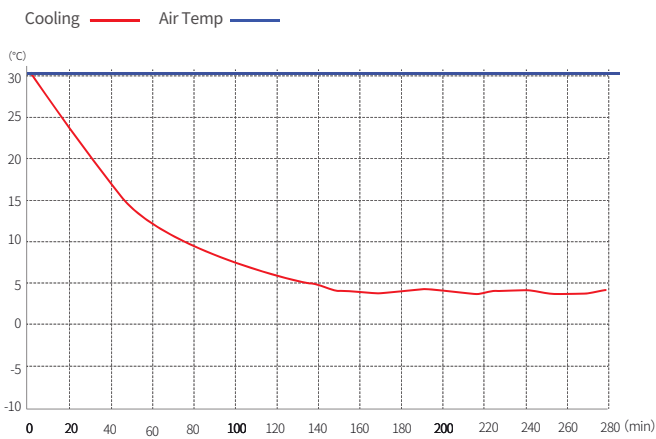
### Humanized Design

Enough large storage space, both sides are equipped with handles, 4 mobile casters for easy movement, and the door lock can be equipped to guarantee the safety of samples

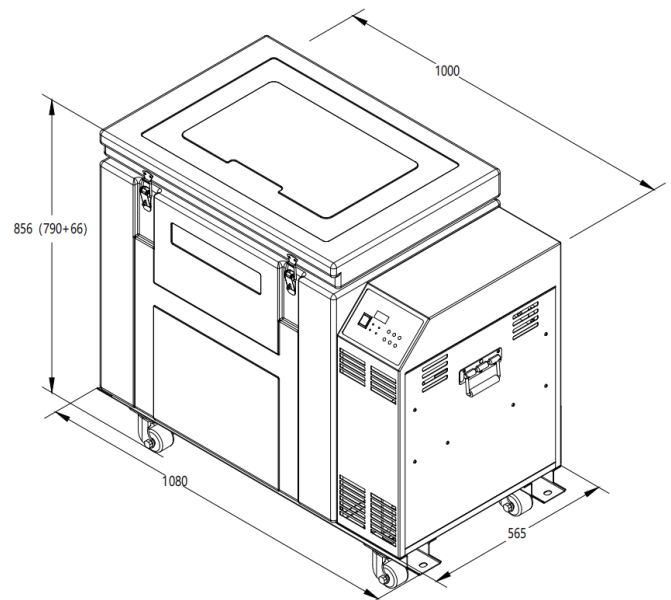
## ✓ Scope of Application

Suitable for use in blood banks, hospitals, health and disease prevention systems, research institutions, colleges & universities, the electronic industry, biological engineering, laboratories in colleges & universities, military enterprises, deep-sea fishing companies, etc.

## 🔗 Performance Data / Cooling Curve



## 📏 External Dimensions



## Specification Chart

+4°C +22°C Blood Transport Box	
Model	XC-90W
Cabinet Type	Chest
Capacity(L)	90
Internal Size(W*D*H)mm	516*365* 500
External Size(W*D*H)mm	1080*565*856
Package Size(W*D*H)mm	1125*635*1061
NW/GW(Kgs)	75/92
Performance	
Temperature Range	2 ~ 6°C/21 ~ 23°C
Ambient Temperature	16-32°C
Climate Class	N
Controller	Microprocessor
Display	Digital display
Refrigeration	
Compressor	1pc
Cooling Method	Air cooling
Refrigerant	R134a
Insulation Thickness(mm)	100
Construction	
External Material	LDPE
Inner Material	LDPE
Padlock	Yes
Casters	4
Backup Battery	Yes
Alarm	
Temperature	High/Low temperature,High ambient temperature
Electrical	Power failure, Low battery
System	Sensor failure, Condenser overheating, Built-in USB datalogger failure
Electrical	
Power Supply(V/HZ)	230~50/60,DC12/24
Power(W)	100
Power Consumption(KWh/24h)	1
Rated Current(A)	1.01

\*The model, parameters and performance specified in this brochure may be changed without prior notice because of product upgrading.

\*There may be differences between the product images shown in this brochure and the actual products. When you are buying any product, please check the actual product.