

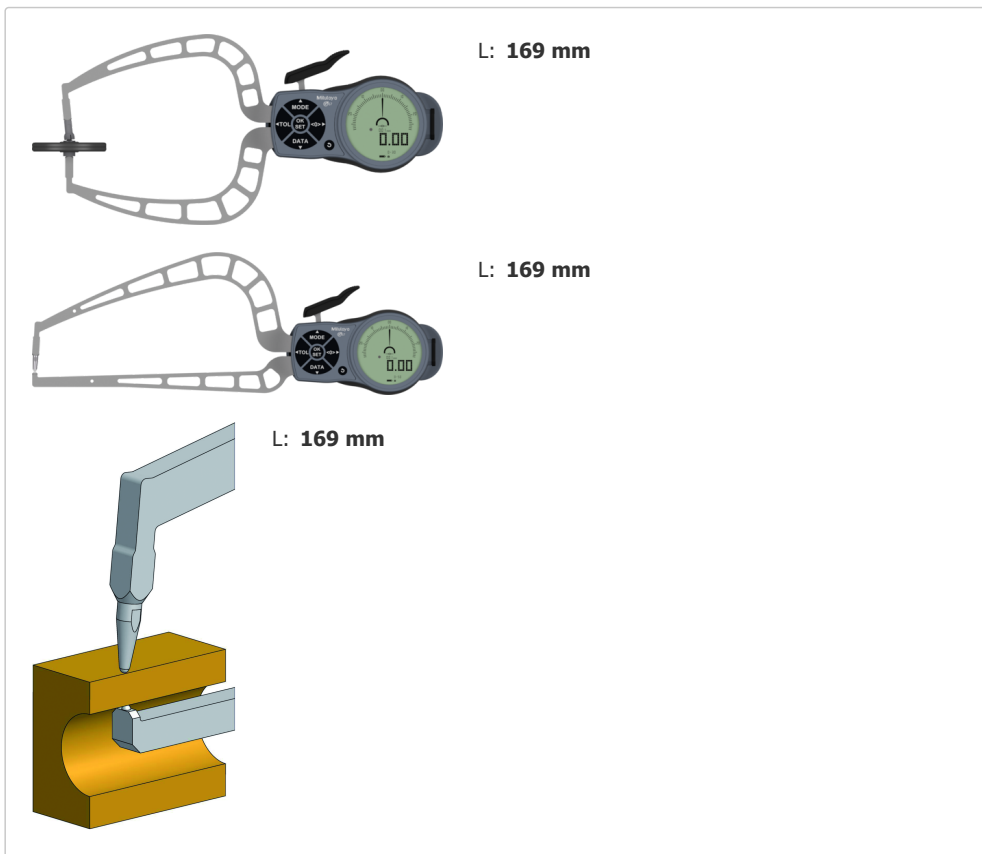
Mitutoyo

External Digital Caliper Gauge

Item number: 209-955



Images



Description

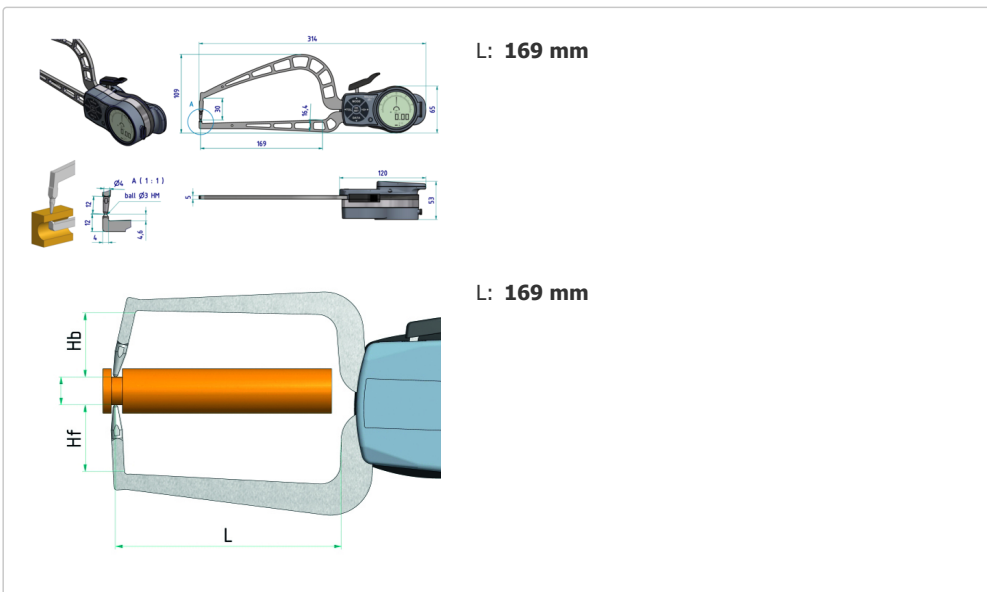
- Digital Caliper Gauge enables measurements in hard-to-reach places
- Excellent resistance against water and dust IP67 level

Features

Digital/Analog:	Digital
Inch-Metric:	Metric/Inch
Range:	0 - 50
Accuracy:	0,05 mm

Digital step:	0,001 / 0,002 / 0,005 / 0,01 / 0,02 / 0,05 mm
Measuring force:	0,8-1,7 N
Protection:	IP67
Power supply:	2 batteries LR03 (AAA)
Delivered:	Including 2 batteries LR3, certificate of inspection
Analog bar resolution switchable:	Yes
Auto Power OFF after 1/5/10 min. non use:	YES
OFFSET:	Yes
Mass:	460 g
Type:	Fig. 2
Hb:	30 mm
Hf:	4.3 mm
mm/inch conversion:	Yes
HOLD:	Yes
SET key:	Yes
DATA key:	Yes
DATA-Logger (100 measured values):	Yes
ABS/INC switchable:	Yes
Max. reading:	Yes
Min. reading:	Yes
Tolerance LED (green/red):	Yes
Tolerance judgement:	Yes

Dimensions



Accessories

Optional accessories:



Digimatic Interface Series 209 Digital Caliper Gauge 011551

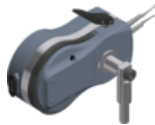
Suggested retail price: **72.00 €**



Digimatic Cable, Round 6-Pin Type 1m

937387

Suggested retail price: **53.00 €**

**Digimatic Cable, Round 6-Pin Type****2m****965013**Suggested retail price: **64.00 €****USB Input Tool Direct (Digimatic USB)****Digi/Digi2, Round 6-Pin Type****06AFM380E**Suggested retail price: **109.00 €****U-WAVE-T, Buzzer Type****Wireless Transmitter****02AZD880G**Suggested retail price: **165.00 €****U-WAVE-T, IP67 Type****Wireless Transmitter****02AZD730G**Suggested retail price: **165.00 €****U-WAVE-T Connection Cable E****Round 6-Pin Type****02AZD790E**Suggested retail price: **88.00 €****Holder for Digital Caliper Gauge****for 209-930 up to 209-958****63AAA438**Suggested retail price: **151.00 €****Holder for Digital Caliper Gauge****for 209-901 up to 209-922****63AAA437**Suggested retail price: **158.00 €****Spare parts****Consumable spares:****Battery LR03 (AAA)****4x****011511-1**