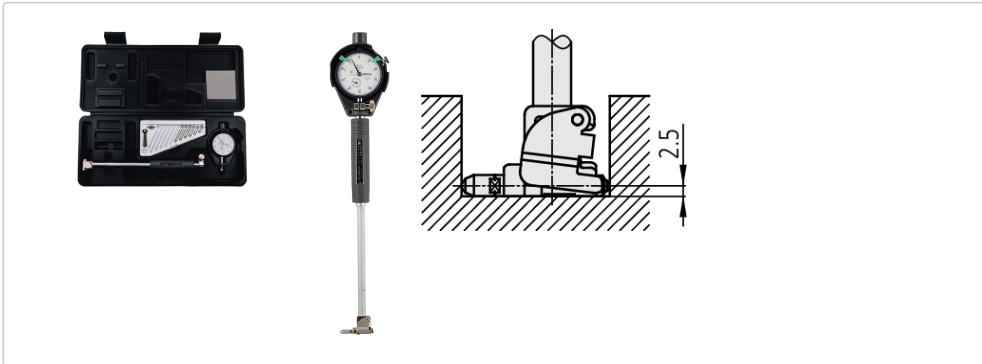


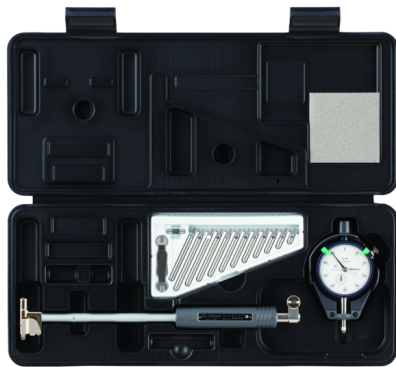


2-Point Inside Measuring Instrument

Item number: 511-426-20



Images



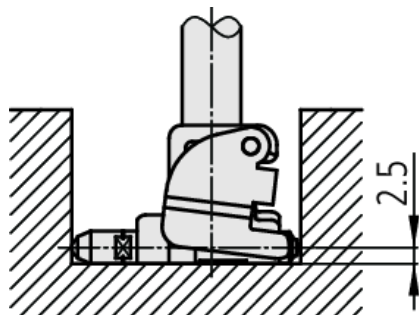
a: **14.3 mm**
b: **18 mm**



a: **14.3 mm**
b: **18 mm**



a: **14.3 mm**
b: **18 mm**



a: **14.3 mm**
b: **18 mm**

Description

This is a bore gauge for measuring blind holes that offers you the following benefits:

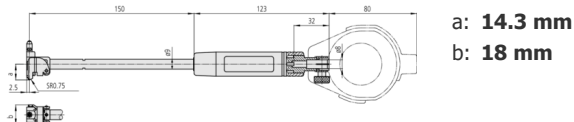
- You can measure the inside diameter close to the bottom of blind holes.
- Contact points are carbide giving you high durability and wear resistance.

Specification

Inch-Metric:	Metric
Digital/Analog:	Analog
Range:	35 - 60 mm
Graduation:	0.01 mm
Stroke of contact point:	1.2 mm
Measuring depth:	150 mm

No. Dial Indicator:	2046AB
Mass:	370 g
Accuracy:	4 μm
Repeatability:	1 μm
Delivered:	Including box, dial indicator, plastic cover for indicator

Dimensions



Accessories

Optional accessories:



Digital Indicator Bore Gauge ID-C 12,7mm, 0,001mm, Flat Back 543-310B

List Price

£577.20 inc. VAT**£481.00** ex. VAT

Extension Rod Series 511 125mm, 12mm Rod Diameter 953552

List Price

157.00 ex. VAT

Extension Rod Series 511 250mm, 12mm Rod Diameter 953553

List Price

181.00 ex. VAT

Extension Rod Series 511 500mm, 12mm Rod Diameter 953554

List Price

313.00 ex. VAT

Extension Rod Series 511 750mm, 12mm Rod Diameter 953555

List Price

415.00 ex. VAT

Extension Rod Series 511 1000mm, 12mm Rod Diameter 953556

List Price

570.00 ex. VAT