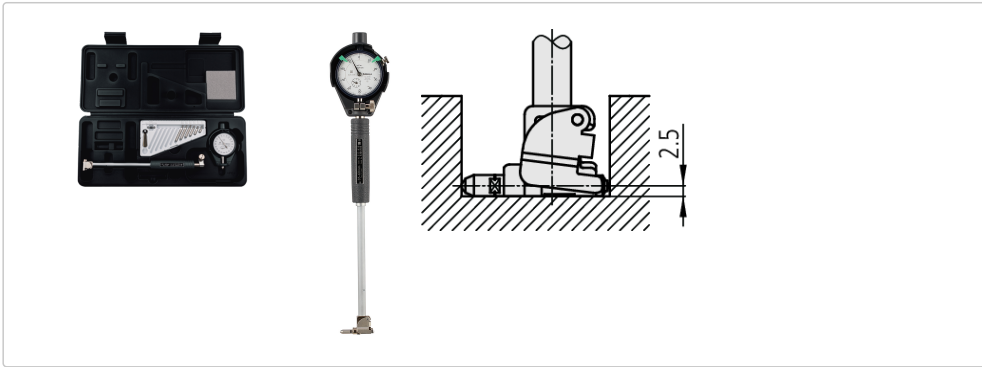


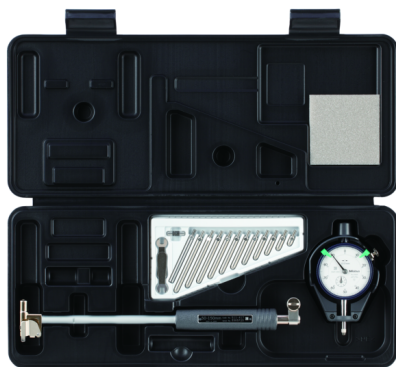


2-Point Inside Measuring Instrument

Item number: 511-436-20



Images



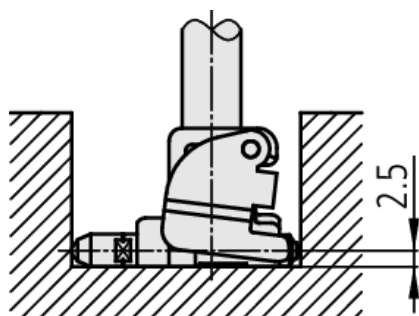
a: **14.3 mm**
b: **18 mm**



a: **14.3 mm**
b: **18 mm**



a: **14.3 mm**
b: **18 mm**



a: **14.3 mm**
b: **18 mm**

Description

This is a bore gauge for measuring blind holes that offers you the following benefits:

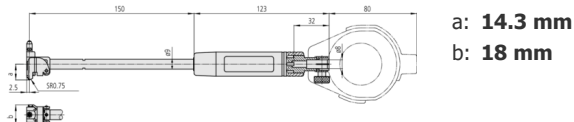
- You can measure the inside diameter close to the bottom of blind holes.
- Contact points are carbide giving you high durability and wear resistance.

Features

| | |
|--------------------------|-------------------|
| Inch-Metric: | Metric |
| Digital/Analog: | Analog |
| Range: | 35 - 60 mm |
| Graduation: | 0.001 mm |
| Stroke of contact point: | 1.2 mm |
| Measuring depth: | 150 mm |

| | |
|---------------------|---|
| No. Dial Indicator: | 2109AB |
| Mass: | 370 g |
| Accuracy: | 4 μm |
| Repeatability: | 1 μm |
| Delivered: | Including box, dial indicator, plastic cover for indicator |

Dimensions



Accessories

Optional accessories:



Digital Indicator Bore Gauge ID-C
12,7mm, 0,001mm, Flat Back
543-310B

Suggested retail price: **576.00 €***



Extension Rod Series 511
125mm, 12mm Rod Diameter
953552

Suggested retail price: **246.00 €***



Extension Rod Series 511
250mm, 12mm Rod Diameter
953553

Suggested retail price: **269.00 €***



Extension Rod Series 511
500mm, 12mm Rod Diameter
953554

Suggested retail price: **483.00 €***



Extension Rod Series 511
750mm, 12mm Rod Diameter
953555

Suggested retail price: **642.00 €***



Extension Rod Series 511
1000mm, 12mm Rod Diameter
953556

Suggested retail price: **889.00 €***