



## PCE-BPD-U

### Process meters

#### BIG PANEL DISPLAYS

*Big panel displays for process signals in mA and Vdc. Different formats available with 60 mm and 100 mm digit height, 4 and 6 digits, in red color. Sturdy metal housing, with full IP65 protection, designed for panel, wall or hanging mount. Versatile and configurable, provides excitation voltage to power up the transducer, segment linearization, fast access to alarm setpoints, 'on power up' function, 'measure' function' and 5 configurable brightness levels. Universal AC and DC power. Accepts up to 3 output and control options (relays, analog retransmission, Modbus RTU, transistor outputs, RS-485 ASCII, ...). Configuration from frontal keypad or remote keypad.*

# 1. Large display PCE-BPD-U

## Big panel displays for process signals

Big panel displays for long distance reading, for industrial applications. Different formats available with 4 and 6 digits, with 60 mm and 100 mm digit height. Front keypad to access the configuration menu, and optional remote keypad.

Models to measure process signals in mA and Vdc. Provides excitation voltage configurable from +5 Vdc to +20 Vdc (max. 35 mA) to power up transducers. Scalable reading with selectable decimal point position.

Output and control options with 1, 2 and 3 relays, transistor outputs, controls for SSR relays, isolated analog outputs, communications in Modbus RTU, RS-485 ASCII and RS-232.

Sturdy metal housing with full IP65 protection. Internal connections by plug-in screw clamp terminals, and output through cable glands. Housing prepared for panel, wall and hanging mount.

- Configurable '**Fast access**' to selected functions with key 'UP' (▲) (*see section 1.12.11*)
- '**On power up**' for system protection on 'cold' start-up and / or activation of automatic tare (*see section 1.12.12*)
- up to 20 segments for signal linearization (*see section 1.12.8*)
- '**Field correction**' for fast and easy 'on the field' correction of offsets and signal drifts (*see section 1.12.3*)
- alarms with 1 or 2 setpoints, independent activation and deactivation delays, hysteresis, manual unlocking, ... (*see section 1.12.4*)
- '**Tare**' function for weight applications (*see section 1.12.14*)
- '**Peak & Hold**' for test break applications (*see section 1.12.9*)

Multiple display filters, memory of maximum and minimum reading, password protection, 5 brightness levels.

## 1.1 How to use this manual

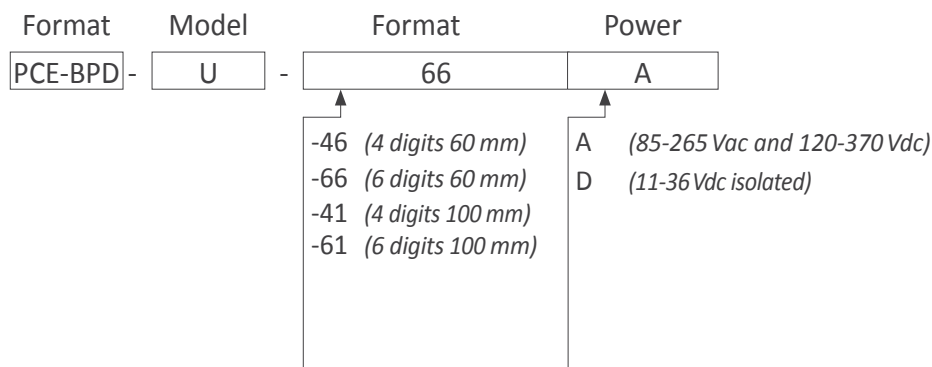
If this is the first time you are configuring a big panel display, below are the steps to follow to install and configure the instrument.

1. Identify the instrument format (*see section 1.4*)
2. Power and signal connections
  - open the instrument (*see section 1.5*)
  - connect the power (*see section 1.7*)
  - connect the signal and select jumper mA/Vdc (*see section 1.8*)
  - close the instrument (*see section 1.5*)
3. Configure the instrument (*see section 1.12*)
  - select the signal range, the decimal point position and scale the reading (*see section 1.12.2*)
4. Advanced configuration (optional)
  - configure the instrument alarms (*see section 1.12.4*)
  - configure the display filters (*see section 1.12.7*)
  - configure the fast access (*see section 1.12.11*)
  - configure the excitation voltage (*see section 1.12.15*)
  - configure other functions : segment linearization (*1.12.8*), 'on power up' (*1.12.12*), key 'LE' (*1.12.13*), tare (*1.12.14*), password (*1.12.16*)

Read all the manual sections in order to have a full and clear view of the characteristics of the instrument. Do not forget to read the installation precautions at section 1.17.

5. If the instrument includes analog output or serial communications
  - to include an option to an instrument see section 1.6
  - to configure an installed option, access the option configuration menu (*see section 1.12.20*)
6. Install the instrument
  - mount on panel, wall or hanging (*see section 1.16*)
  - adjust the brightness level according to your environmental needs (*see section 1.12.19*)

## 1.2 How to order

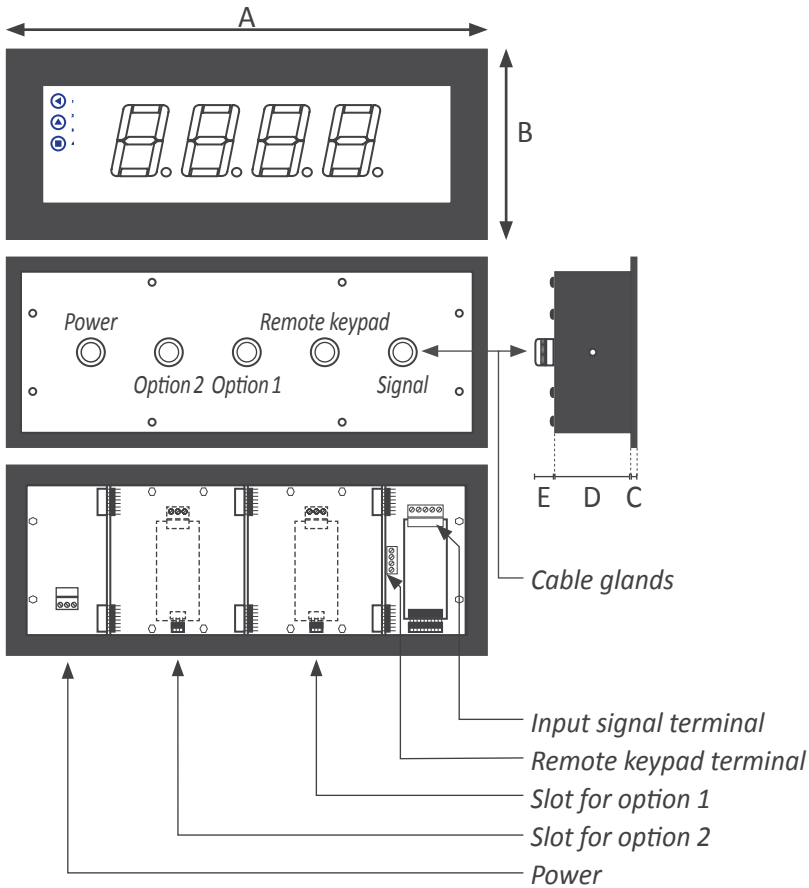


## 1.3 Index

1. Large display PCE-BPD-U . . . . .	2	1.12.14 'Tare' function . . . . .	16
1.1 How to use this manual . . . . .	2	1.12.15 Excitation voltage. . . . .	16
1.2 How to order . . . . .	3	1.12.16 Password configuration . . . . .	18
1.3 Index . . . . .	3	1.12.17 Default factory configuration . . . . .	18
1.4 Sizes and formats . . . . .	4	1.12.18 Firmware version . . . . .	18
1.4.1 Format 46 . . . . .	4	1.12.19 Brightness configuration . . . . .	18
1.4.2 Format 41 . . . . .	4	1.12.20 Access to the options configuration menu . . . . .	18
1.4.3 Format 66 . . . . .	5	1.13 Factory configuration . . . . .	19
1.4.4 Format 61 . . . . .	5	1.14 Messages and errors . . . . .	19
1.5 To access the instrument. . . . .	6	1.15 Full configuration menu. . . . .	20
1.6 Modular system. . . . .	6	1.16 Mounting. . . . .	22
1.7 Power connections and protective earth . . . . .	7	1.17 Installation precautions . . . . .	23
1.8 Input signal connections . . . . .	7	1.18 Warranty . . . . .	23
1.8.1 Connection examples . . . . .	8	1.19 CE declaration of conformity . . . . .	23
1.9 Connections for remote keypad . . . . .	8	2. Other options and accessories . . . . .	24
1.10 Functions included . . . . .	8	2.1 PCE-BPD-RK Remote keypad . . . . .	24
1.11 Technical specifications . . . . .	9		
1.12 Configuration . . . . .	10		
1.12.1 How to operate the menus . . . . .	10		
1.12.2 Initial set-up . . . . .	11		
1.12.3 Field correction . . . . .	12		
1.12.4 Alarms . . . . .	12		
1.12.5 Field correction menu . . . . .	13		
1.12.6 Alarms configuration menu . . . . .	13		
1.12.7 Display filters . . . . .	14		
1.12.8 Segment linearization . . . . .	14		
1.12.9 Display filters configuration menu . . . . .	15		
1.12.10 Tools configuration menu . . . . .	15		
1.12.11 Fast access . . . . .	16		
1.12.12 'on power up' function. . . . .	16		
1.12.13 'LE' key . . . . .	16		

## 1.4 Sizes and formats

### 1.4.1 Format 46

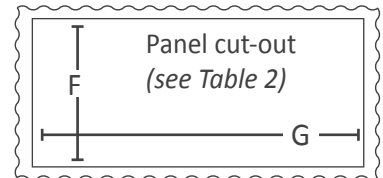


Size A	340 mm
Size B	135 mm
Size C	3 mm
Size D	55 mm
Size E	25 mm

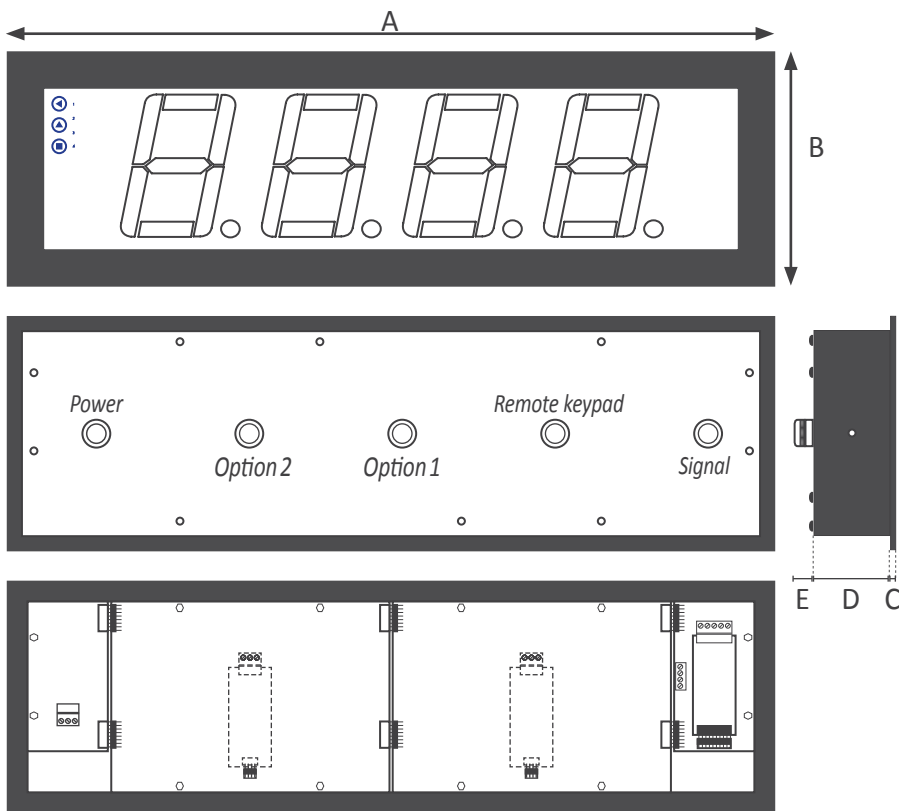
Table 1 - Sizes 46

Cut-out G	322 mm (±1)
Cut-out F	117 mm (±1)

Table 2 - Panel cut-out 46



### 1.4.2 Format 41

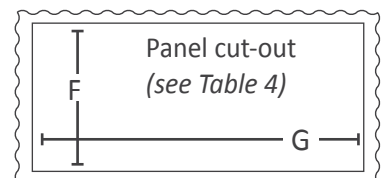


Size A	542 mm
Size B	166 mm
Size C	3 mm
Size D	55 mm
Size E	25 mm

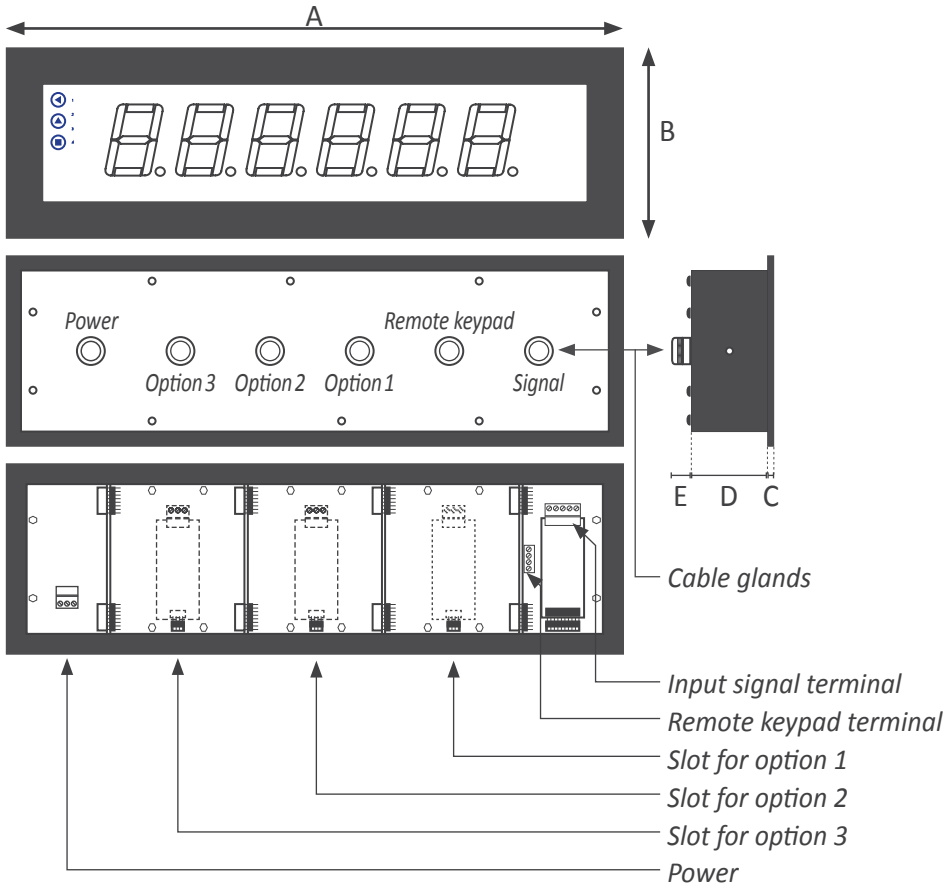
Table 3 - Sizes 41

Cut-out G	524 mm (±1)
Cut-out F	148 mm (±1)

Table 4 - Panel cut-out 41

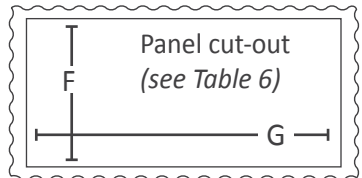


### 1.4.3 Format 66

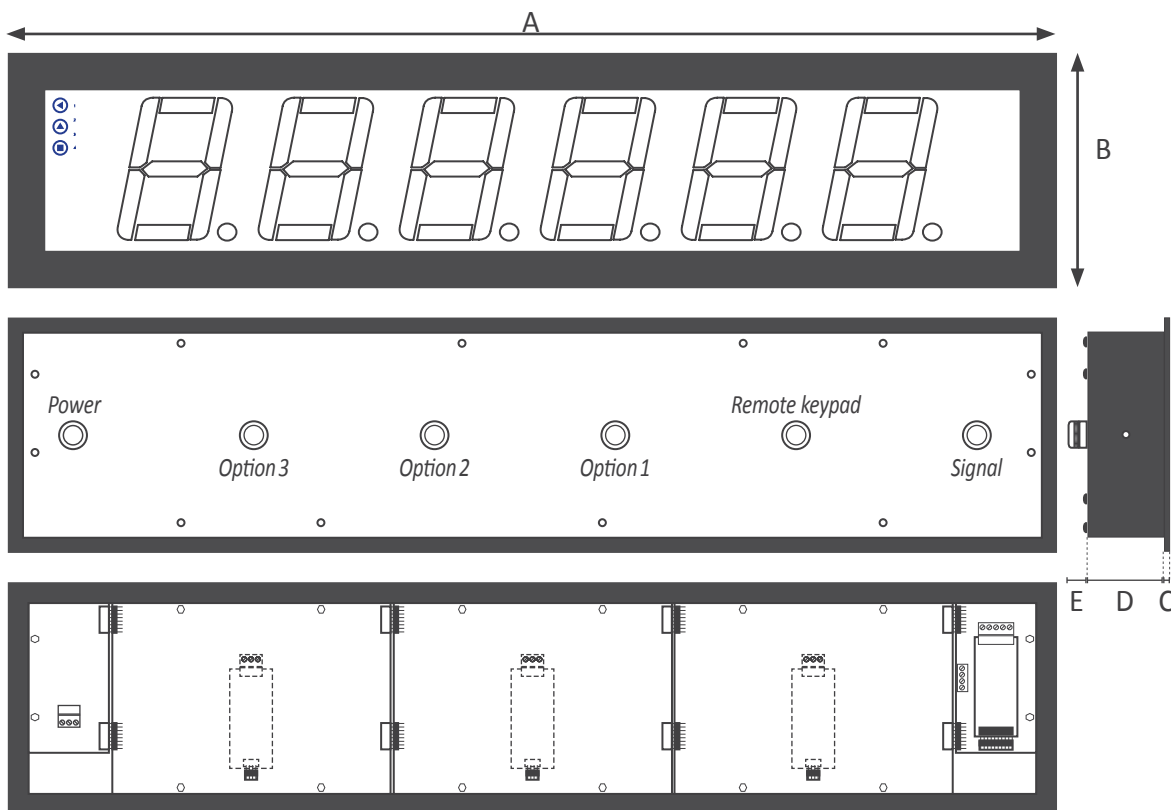


Size A	436 mm
Size B	135 mm
Size C	3 mm
Size D	55 mm
Size E	25 mm
Table 5 - Sizes 66	

Cut-out G	418 mm (±1)
Cut-out F	117 mm (±1)
Table 6 - Panel cut-out 66	

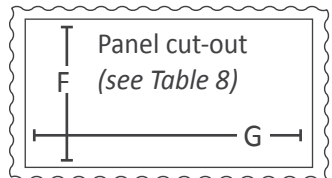


### 1.4.4 Format 61



Size A	740 mm
Size B	166 mm
Size C	3 mm
Size D	55 mm
Size E	25 mm
Table 7 - Sizes 61	

Cut-out G	722 mm (±1)
Cut-out F	148 mm (±1)
Table 8 - Panel cut-out 61	



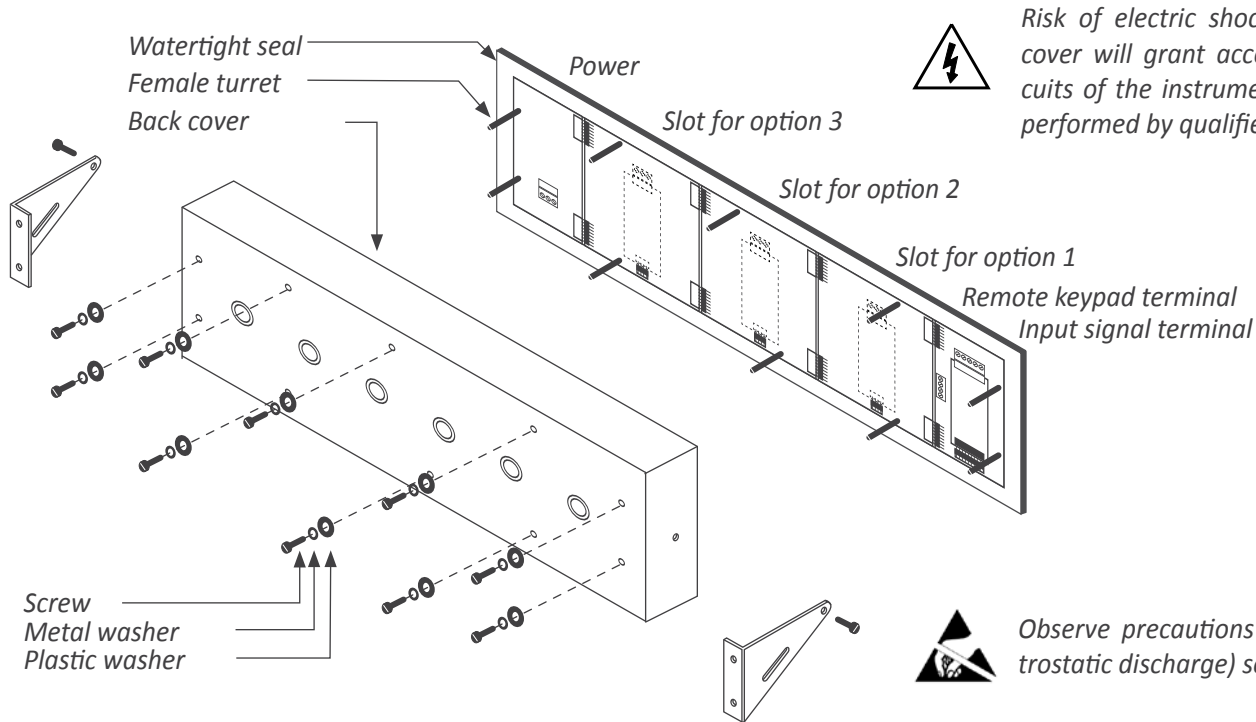
## 1.5 To access the instrument

To open the housing, remove the screws from the back cover. With each screw there is a metal washer and a plastic washer. Once the screws are out, remove the back cover.

The figure below shows the instrument internal structure for a 64 format. It shows the location of the 3 slots for optional output and control modules, the power terminal and the input signal terminal.

To close the instrument, place the back cover, the screws, the metal washer and the plastic washer. The plastic washer is in contact with the back cover. Confirm that the screws are correctly turning inside the internal female screws.

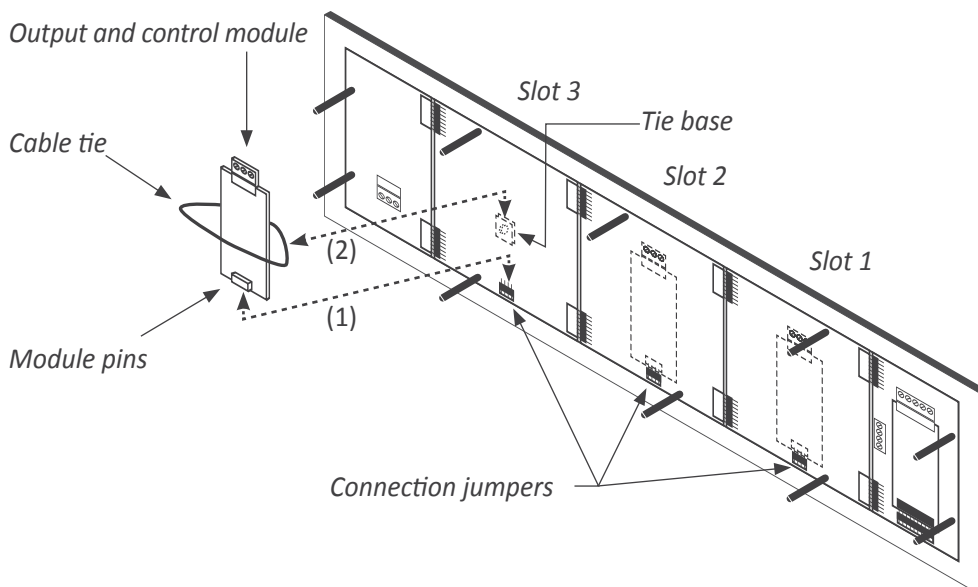
To ensure a correct IP65 protection tighten the back cover screws with a strength between 30 and 40 Ncm, with the help of a dynamometer screwdriver.



## 1.6 Modular system

Big panel displays are designed with an internal modular architecture. The output and control modules are independent and can be installed by accessing the internal circuits of the instrument, and connecting the module to the connection jumpers of the selected slot.

Each module is provided with a cable tie to fix the module to the tie base. The input signal modules defines the instrument function and are exchangeable, switching a temperature meter to an impulse counter only by replacing the input signal module.



- To install an output and control module
- (1) insert the 'module pins' into the 'connection jumpers' in one of the free slots
  - (2) place the 'cable tie' into the 'tie base' and embrace the 'module' firmly, until it is fixed

## 1.7 Power connections and protective earth

1. Unscrew the screws from the back cover and remove the back cover (see section 1.5).
2. Pass the power cable through the power cable gland (see section 1.4).
3. Prepare the power cables so that the earth wire is 20 cm longer than the other cables (see Figure 1).

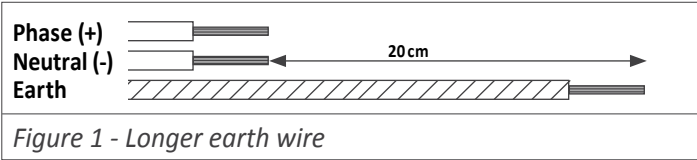


Figure 1 - Longer earth wire

4. Connect the earth wire to the internal fixed screw 'PE' (see Figure 2) located at the inside of the back cover. The instrument internally connects the back cover metallic

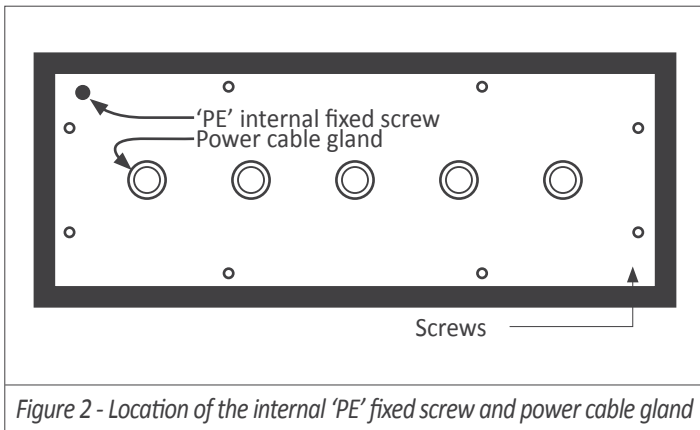


Figure 2 - Location of the internal 'PE' fixed screw and power cable gland

structure with the front metallic structure through an internal green-yellow cable. (dotted cable at Figure 3).

5. Connect phase and neutral (in AC power) or positive and negative (in DC power) to the internal power terminal.
6. The connections label attached to the outside of the instrument has some free space left to write the color or local code for each cable.
7. To comply with security regulation 61010-1, add to the power line a protection fuse acting as a disconnection element, easily accessible to the operator and identified as a protection device.

Power 'A'	500 mA time-lag fuse
Power 'D'	1000 mA time-lag fuse

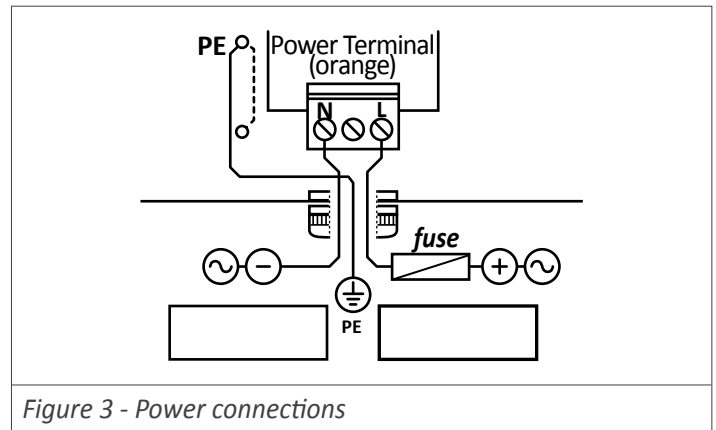
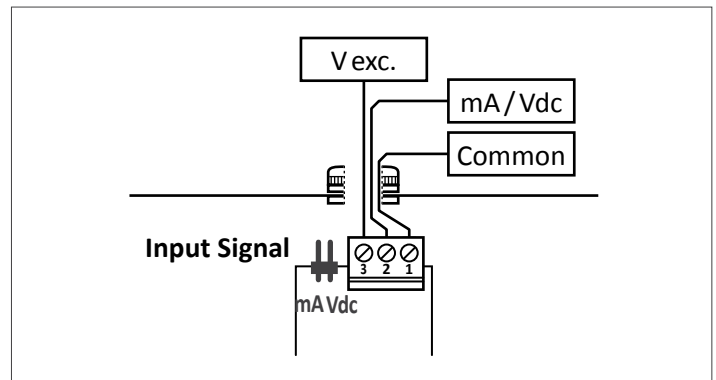


Figure 3 - Power connections

## 1.8 Input signal connections

1. Unscrew the screws from the back cover and remove the back cover (see section 1.5).
2. Locate the input signal terminal (see section 1.4). For signal connection examples see section 1.8.1
3. Pass the signal cable through the signal cable gland (see section 1.4).
4. Connect the input signal cables (see Figure 4) and select the appropriate jumper 'mA' or 'Vdc'.
5. The connections label attached to the outside of the instrument has some free space left to write the color or local code for each cable.



mA/Vdc	Input signal in mA or Vdc
Vexc	Excitation voltage to power the transducer
Common	
Jumper mA	Close for mA signals (and open Vdc)
Jumper Vdc	Close for Vdc signals (and open mA)

Figure 4 - Signal connections



## 1.8.1 Connection examples

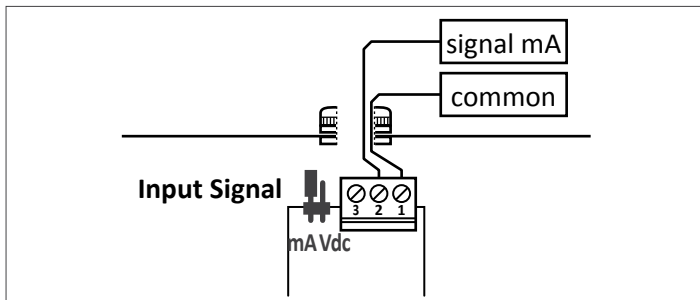


Figure 5 - Connections for active 4/20 mA signals (or  $\pm 20$  mA)

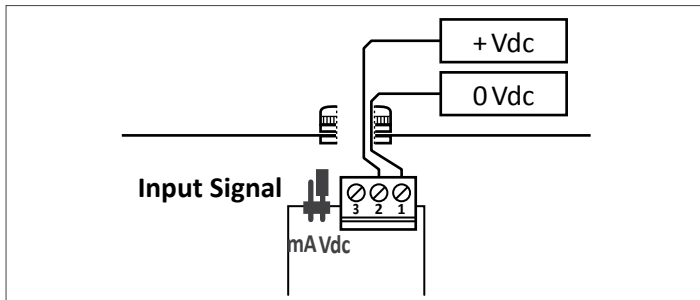


Figure 6 - Connections for active 0/10 Vdc signals (or  $\pm 10$  Vdc)

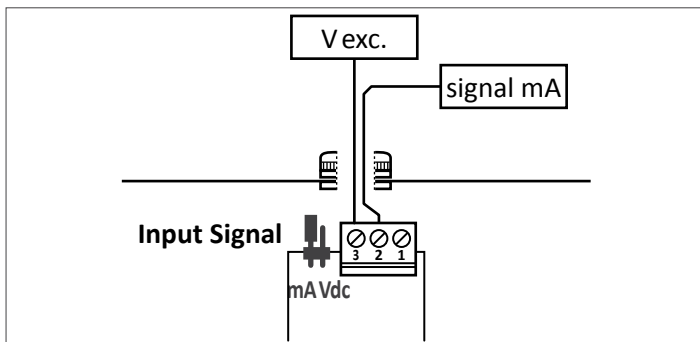


Figure 7 - Connections for passive 4/20 mA signals (or  $\pm 20$  mA)

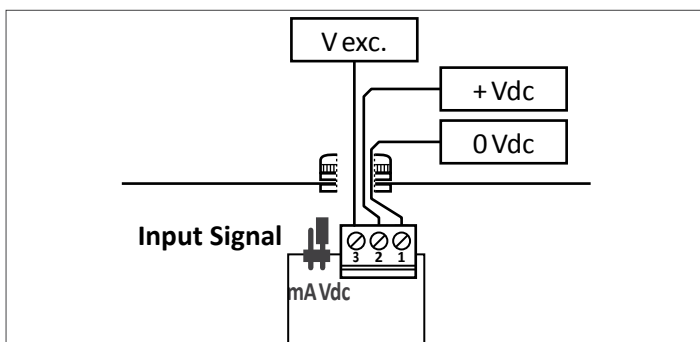
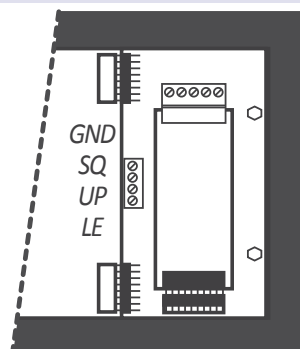


Figure 8 - Connections for passive 0/10 Vdc signals (or  $\pm 10$  Vdc)

## 1.9 Connections for remote keypad

The 4 pin terminal located beside the input signal module allows to replicate a remote version of the front keypad. Connect 4 cables for front keys 'SQ' (■), 'UP' (▲) and 'LE' (◀) and for the common. Pass these cables through the 'remote keypad' cable gland (see section 1.4).



## 1.10 Functions included

Functions included		Section
Fast access menu	yes, configurable	1.12.11
Segment linearization	up to 20 segments	1.12.8
Display filters	recursive 'steps' fixed digits left zeros	1.12.7
'On Power Up'	yes	1.12.12
Excitation voltage	configurable	1.12.15
'Measure'	yes	1.12.11
Alarms	simple or double setpoint activation delays deactivation delays hysteresis inverted relays locked alarms	1.12.4
Field correction	yes, for high and low signals	1.12.3
'Peak & Hold'	yes	1.12.7
Tare function	yes	1.12.14
Memory	maximum, minimum	1.12.11
Password	configuration locked	1.12.16
Brightness	configurable, 5 levels	1.12.19

Table 9 - Functions included



## 1.11 Technical specifications

### Digits

number of digits	4 or 6 (see Table 10)
digit	7 segments
view angle	120°
color	red
digit height	(see Table 10)

### Reading

max., min.	(see Table 10)
decimal point	configurable
overrange / underrange	flash reading
acquisitions	(see Table 10)
display refresh	(see Table 10)
step response	(see Table 10)

### Input signal

signal ranges	4/20 mA, ±20 mA 0/10 Vdc, ±10 Vdc
maximum oversignal	100 mA or 100 Vdc
input impedance	11 R en mA, 932 K en Vdc
accuracy	0.05 % o 0.03 % (see Table 10)
thermal drift offset	10 ppm / °C
thermal drift span*	25 ppm / °C (*included offset thermal drift)
wire section	max. 0.5 mm <sup>2</sup>

### Excitation voltage

voltage output	+20 Vdc, +15 Vdc, +10 Vdc, +5 Vdc selectable by menu
accuracy	±5 %
maximum current	35 mA
protection	against short circuit

### Power

power 'A'	85 to 265 Vac and 120 to 370 Vdc isolated (isolation 2500 Vac)
power 'D'	11 to 36 Vdc isolated (isolation 1500 Vdc)
consumption	(see Table 10)
fuses	(see section 1.7)
wire section	max. 2.5 mm <sup>2</sup>

### Configuration

front keypad with 3 keys  
remote keypad (see section 2.1)

### Output and control options

relay output, analog retransmission,  
Modbus RTU

### Mechanical

IP protection	full IP65 housing
mounting	panel, wall , hanging (see section 1.16)
connections	cable gland outputs internal plug-in screw terminals
housing material	textured iron, black painted methacrylate front filter (see Table 10)
weight	(see section 1.4)
front sizes	(see section 1.4)
panel cut-out depth	(see section 1.4)

### Temperature

operation	from 0 to +50 °C
storage	from -20 to +70 °C
warm-up time	15 minutes

	Format 46	Format 41	Format 66	Format 61
Number of digits	4	4	6	6
Digit height	60 mm	100 mm	60 mm	100 mm
Reading distance	25 meters	50 meters	25 meters	50 meters
Accuracy (% F.S.)	0.05 %	0.05 %	0.03 %	0.03 %
Acquisitions/second	15	15	3.5	3.5
Refresh/second	15	15	3.5	3.5
Step response (0% to 99% of signal)	120 mSec.	120 mSec.	300 mSec.	300 mSec.
Slots for output and control options	2	2	3	3
Maximum / minimum reading	9999 / -1999		999999 / -199999	
Consumption (without options installed)	3 W	5.25 W	3.5 W	5.5 W
Consumption (with options installed)	5 W	6.75 W	5,5 W	7 W
Weight	2200 gr.	2500 gr.	3500 gr.	4500 gr.

Table 10 - Technical specifications associated to format

## 1.12 Configuration

### 1.12.1 How to operate the menus

The instrument has two menus accessible to the user :

'Configuration menu' (key 'SQ') (■)

'Fast access' menu (key 'UP') (▲)

#### Configuration menu

The 'configuration menu' modifies the configuration parameters to adapt the instrument to the application needs. To access the 'configuration menu' press for 1 second the 'SQ' (■) key. This access can be blocked by activating the 'Password' ('PASS') function. While operating the 'configuration menu', the alarm status is 'hold' to the status it had before accessing the menu, and the output and control modules remain in 'error' state. When leaving the 'configuration menu', the instrument applies a system reset, followed by a brief disconnection of the alarms and the output and control modules. Functionality is then recovered.

For a detailed explanation on the 'configuration menu' see the following sections, and for a full view of the 'configuration menu' see section 1.15.

#### 'Fast access' menu

The 'fast access' menu is an operator configurable menu, providing fast and direct access to the most usual functions of the instrument with a single key pad stroke. Press key 'UP' (▲) to access this menu.

See section 1.12.11 for a list of selectable functions for the 'fast access' menu in this instrument. The 'Password' ('PASS') function does not block access to this menu. Accessing and modifying parameters in the 'fast access' menu does not interfere with the normal functionality of the instrument, and it does not generate any system reset when validating the changes.

#### Operating with the front keypad inside the menus

**Key 'SQ' (■)** - press the 'SQ' (■) key for 1 second to access the 'configuration menu'. Inside the menu, the 'SQ' (■) key acts as an 'ENTER'. It enters into the menu option selected, and when entering a numerical value, it validates the number.

**Key 'UP' (▲)** - press the 'UP' (▲) key to access the 'fast access' menu. Inside the menu, the 'UP' (▲) key sequentially moves through the available parameters and menu entries. When entering a numerical value, it modifies the digit selected by increasing its value to 0, 1, 2, 3, 4, 5, 6, 7, 8, 9.

**Key 'LE' (◀)** - press the 'LE' (◀) key to activate the configured special functions associated to this key. Inside the menu, the 'LE' (▲) acts as an 'ESCAPE'. It leaves the selected menu level and eventually, by leaving all menu levels, it leaves from the configuration menu. Then changes are applied and the instrument is back to normal function. When entering a numerical value, it selects the active digit, and the value is then modified by key 'UP' (▲).

#### 'Rollback'

After 30 seconds without interaction from the operator, the instrument will rollback and leave the 'configuration menu' or the 'fast access' menu. All changes will be discarded.

#### Instruments with 4 and 6 digits

The configuration menus included in this document show values for a 6 digit instrument. In case of 4 digit instruments, note that maximum reading values should be 9999 instead of 999999 to 9999 and minimum reading values should be -1999 instead of -199999.

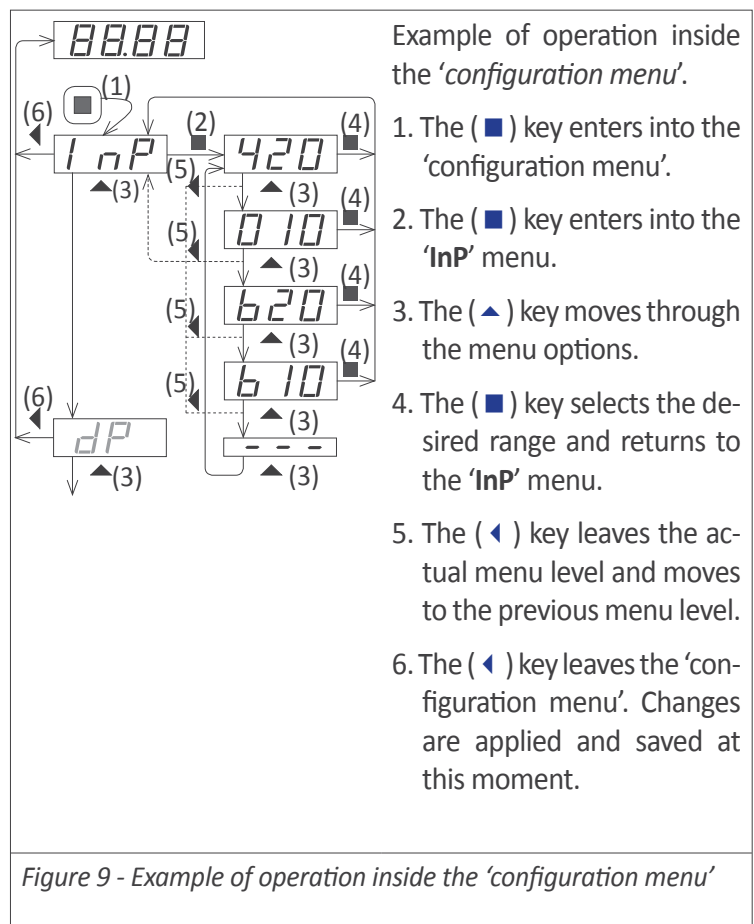
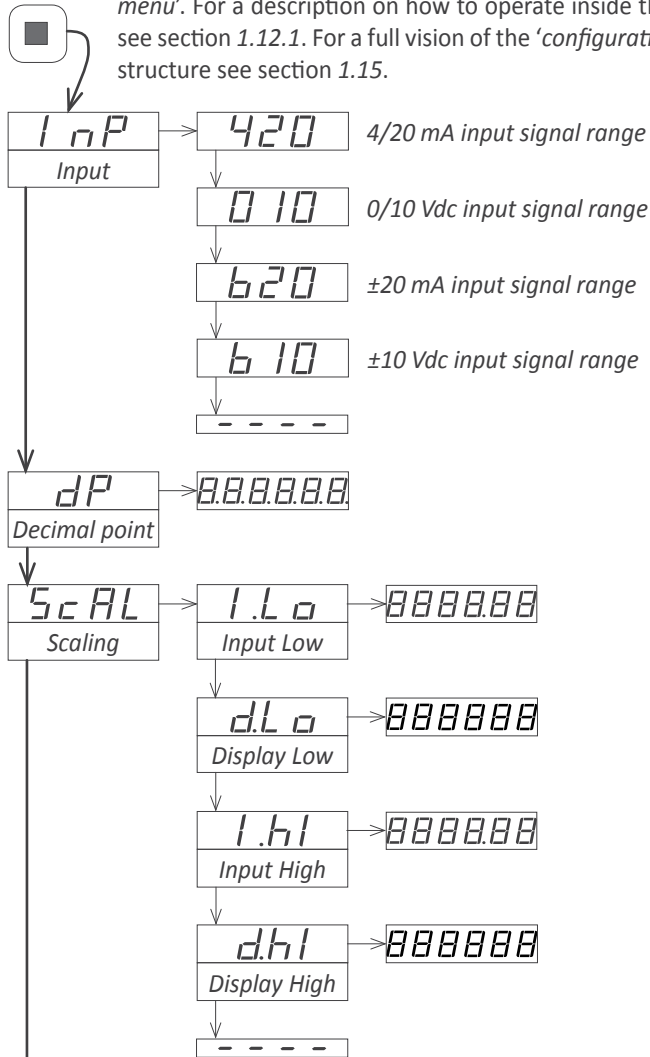


Figure 9 - Example of operation inside the 'configuration menu'

### 1.12.2 Initial set-up

Press 'SQ' (■) for 1 second to access the 'configuration menu'. For a description on how to operate inside the menus see section 1.12.1. For a full vision of the 'configuration menu' structure see section 1.15.



To configure the initial set up of the instrument, select the input signal range, the decimal point position, and scale the reading.

At the 'Input' ('Inp') parameter, select the input signal range.

- select '420' for 4/20 mA signals. Close the 'mA' jumper (see section 1.8). It accepts active and passive signals. See connections at section 1.8.1.
- select '010' for 0/10 Vdc signals. Close the 'Vdc' jumper (see section 1.8). It accepts active and passive signals. See connections at section 1.8.1.
- select 'b20' for ±20 mA signals. Close the 'mA' jumper (see section 1.8). It accepts active and passive signals. See connections at section 1.8.1.
- select 'b10' for ±10 Vdc signals. Close the 'Vdc' jumper (see section 1.8). It accepts active and passive signals. See connections at section 1.8.1.

At the 'Decimal point' ('dP') parameter, select the decimal point position. Move the decimal point with the 'LE' (◀) key.

At the 'Scaling' ('ScAL') menu, configure the reading for the input signal range selected. The parameters are:

- at the 'Input Low' ('I.Lo') parameter configure the low input signal, in mA or Vdc, with two decimals.
- at the 'Display Low' ('d.Lo') parameter configure the reading associated to the low input signal configured before.
- at the 'Input High' ('I.hI') parameter configure the high input signal, in mA or Vdc, with two decimals.
- at the 'Display High' ('d.hI') parameter configure the reading associated to the high input signal configured before.

Range	Input Low ('I.Lo')	Display Low ('d.Lo')	Input High ('I.hI')	Display High ('d.hI')
4/20 mA	4.00 mA	0	20.00 mA	1000
0/10 Vdc	0.00 Vdc	0	10.00 Vdc	1000
±20 mA	-20.00 mA	-1000	20.00 mA	1000
±10 Vdc	-10.00 Vdc	-1000	10.00 Vdc	1000

Table 11 - Scaling parameter default values for each signal range

### 1.12.3 Field correction

The 'Field correction' ('F.cor') function corrects the instrument reading once installed on the field. Reading offsets and deviations can occur due to inaccuracies on the real signal. The 'field correction' function offers a fast and easy way to compensate for this inaccuracies.

Generate the low input signal and if the reading is not as desired, activate the 'low level' field correction function. The instrument will configure itself so that with the actual input signal, the reading is as indicated at the 'd.Lo' parameter. Field correction can be applied to the low input signal and to the

high input signal.

*Example: a 0/10 Bar pressure transmitter provides a 4/20 mA output signal. At installation, the operator detects that the reading at 0 Bar is 0.34 Bar and that at 10 Bar the reading is 10.72 Bar.*

*Apply the 'Field correction' / 'F.Lo' function while reading is 0.34 Bar and the instrument will automatically correct the reading to 0.00 Bar. Afterwards, apply the 'Field correction' / 'F.Hi' function while reading is 10.72 Bar and the instrument will automatically correct the reading to 10.00 Bar.*

### 1.12.4 Alarms

The instrument manages 3 independent internal alarms, each one controlling the activation of an optional relay, transistor or control SSR output.

Optional modules are installed at the free slots inside the instrument (see section 1.4). Formats 46 and 41 formats have 2 free slots for output and control modules, while 64 and 61 formats have 3 free slots for output and control modules.

The instrument has 3 front leds that reflect the state of the 3 internal alarms. These leds are only for local help during installation, as they are not appropriate for long distance reading.

Each alarm controls the activation of the relay, transistor or control SSR installed on its associated slot, and the front led.

- **Configurable parameters**

Each alarm has several parameters for configuration, starting with the usual setpoint, hysteresis and maximum (alarm

active when reading is higher than setpoint) or minimum (alarm active when reading is lower than minimum) alarm types (see Figure 10).

- **Activation and deactivation delays**

Each alarm can configure independent activation and deactivation delays. These delays affect the alarm as a whole, and the delay will affect the front led and the associated relay.

- **Second setpoint**

Configuring a second setpoint creates 'windowed alarms'. The windowed alarm controls with a single relay output if the reading is inside or outside the values defined (see Figure 11).

- **Inverted relay**

Activate the 'inverted relay' function to invert the activation logic of the associated relay.

- **'Locked alarms'**

Activate the 'locked alarms' function will force the operator to interact with the instrument when an alarm has been activated. Once activated, the alarm will remain locked at active state, even if the reading returns to a value below setpoint, until the operator manually unlocks the alarms pressing the front key 'LE' (or the remote key 'LE', see section 2.1).

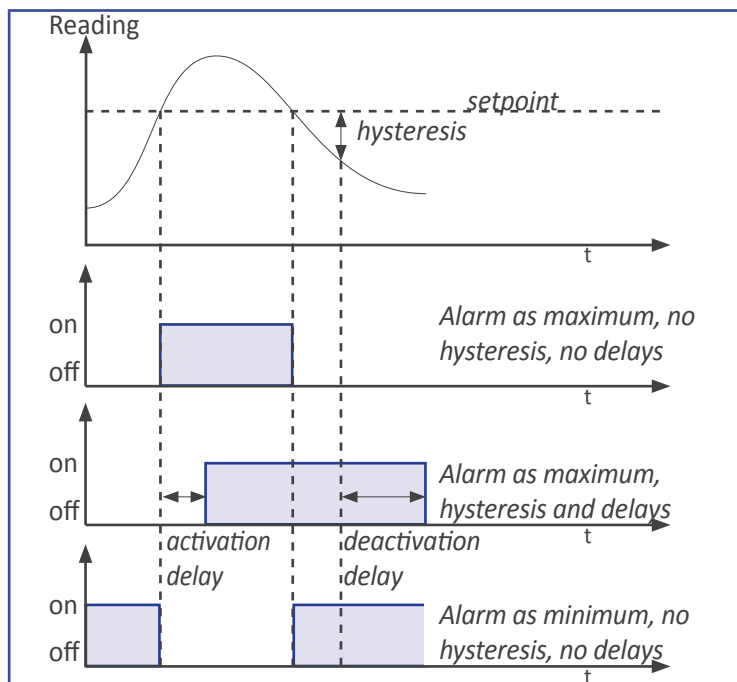


Figure 10 - Examples of alarm with 1 setpoint

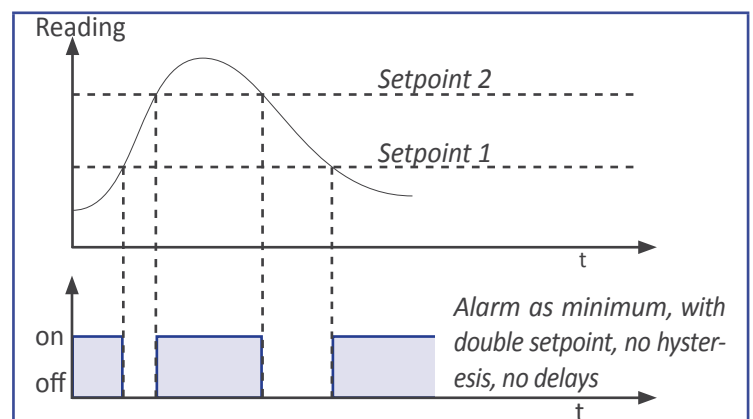
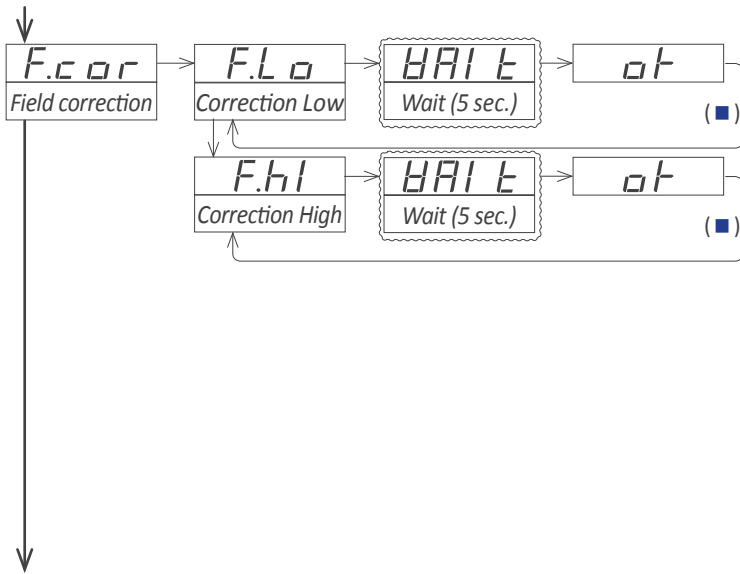


Figure 11 - Example of alarm with 2 setpoints

### 1.12.5 Field correction menu



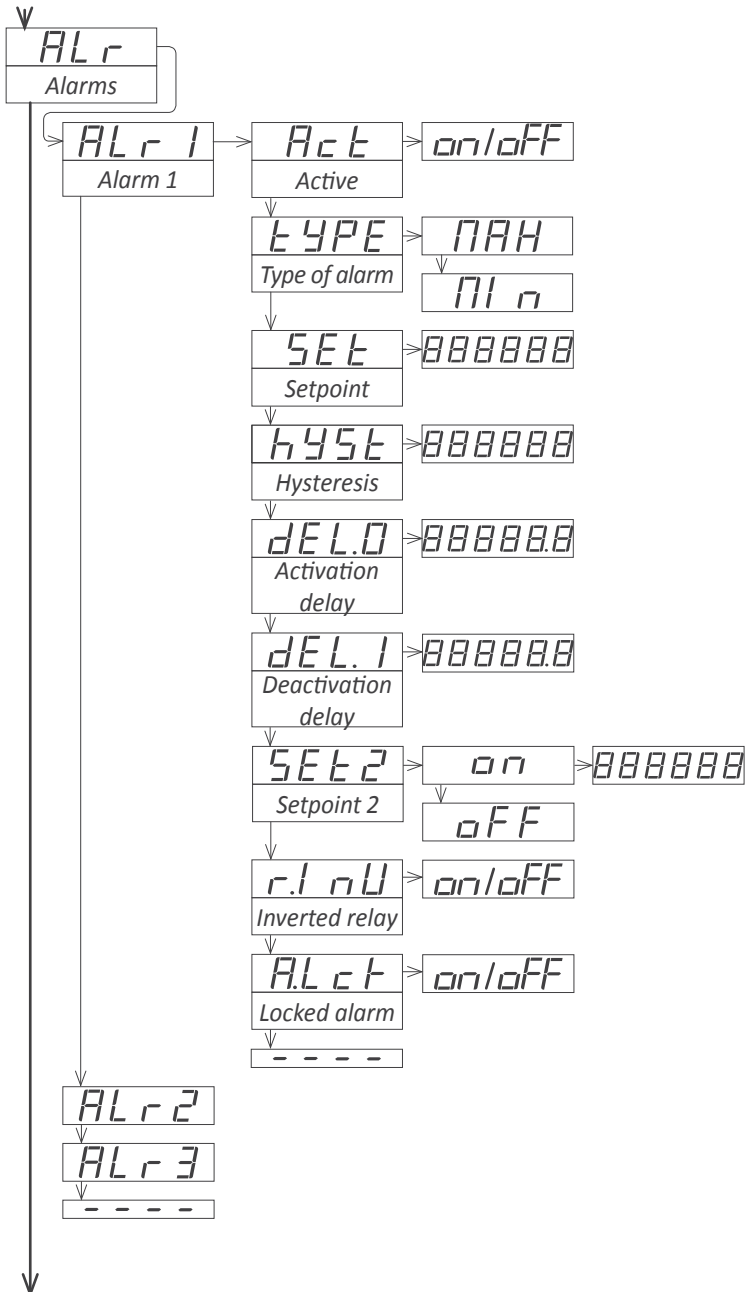
To operate the 'Field Correction' ('F.cor') function for the offset, generate the low input signal and access the 'Field Low' ('F.Lo') function. The instrument starts the correction process:

- message with the measurement type ('mA' or 'Vdc')
- message 'wait' ('WAIT') in flash mode
- after 5 seconds, message 'ok' ('OK')
- at this point, press key 'SQ' (■)
- the menu returns to menu entry 'Field Low' ('F.Lo')

The instrument has read the input signal value and automatically applies the value to the 'Input Low' ('I.Lo') parameter.

For the high signal, repeat the process generating the high input signal and access the 'Field High' ('F.Hi') function. The instrument reads the input signal value and automatically applies the value to the 'Input high' ('I.Hi') parameter.

### 1.12.6 Alarms configuration menu



To configure the alarm, access the alarm menu ('ALr1', 'ALr2' or 'ALr3') and configure the following parameters :

- at the 'Active' ('Act') parameter select 'on'
- at the 'Type of alarm' ('TypeE') parameter select 'MAX' for maximum alarm (activates when reading is higher than setpoint), or 'Min' for minimum alarm (activates when reading is lower than setpoint).
- at the 'Setpoint' ('Set') parameter configure the alarm activation point. Parameter value is accessible through 'fast access' (see section 1.12.11).
- at the 'Hysteresis' ('hySt') parameter select the hysteresis value. Hysteresis applies to the alarm deactivation. Alarm deactivates once the reading is beyond the setpoint plus the hysteresis value. Hysteresis prevents relay switching in case of signal fluctuations close to the setpoint value.
- at the 'Activation delay' ('dEL.0') parameter configure the delay to apply before the alarm is activated. Delay starts to count once the setpoint is reached. Value from 0.0 to 99.9 seconds.
- at the 'Deactivation delay' ('dEL.1') parameter configure the delay to apply before the alarm is deactivated. Delay starts to count once the setpoint is reached plus the hysteresis value. Value from 0.0 to 99.9 seconds.
- to work with 'windowed alarms' (see Figure 11) activate 'Setpoint 2' ('SET2') to 'on' and then configure the desired second setpoint value. Second setpoint must always be higher in value than the first setpoint.
- at the 'Inverted relay' ('r.InV') parameter select 'on' to invert the activation logic of the relay. Relay is inactive when alarm is active, and relay is active when alarm is inactive.
- at the 'Locked alarm' ('A.Lck') parameter select 'on' to block the automatic alarm deactivation. Alarm deactivation must be performed manually, by pressing the 'LE' front button (see section 1.12.13).



## 1.12.7 Display filters

The instrument provides several functions to personalize the reading of the instrument, in order to stabilize the measure and minimize the signal noise. The available functions are:

- the **'Fixed Digits'** (**'FIX.d'**) allows to fix each digit to a fixed value. Usually one or more digits to the right are fixed to '0'. To fix a digit, all digits to its right must be also fixed. Value '-' means that the digit is not fixed.
- the **'Average filter'** (**'AVr'**) applies a recursive filter to the reading function, in order to reading oscillations due to noisy signals.
- the **'Steps'** (**'StEP'**) function defines the reading to be done in steps of 1, 2, 5, 10, 20 or 50 counts.

*Example - selecting a step of 20 configures the reading to change in steps of 20 counts ('1420', '1440', '1460', ...).*

- the **'Left Zero'** (**'LZER'**) function lights all zeros to the left.
- the **'Memory of maximum'** (**'MAX'**) function displays the maximum reading value stored in memory and allows to reset this value. This parameter is directly accessible using key 'UP' (▲) (see section 1.12.11).
- the **'Memory of minimum'** (**'MIn'**) function displays the minimum reading value stored in memory and allows to reset this value. This parameter is directly accessible using key 'UP' (▲) (see section 1.12.11).

- the **'Peak & hold'** (**'P.hLd'**) function visualizes and holds the maximum reading. For test-break applications, where the meter always increases its value until the unit under test breaks and the signal falls down. The meter maintains the maximum reading before the signal fell down. Press any front key to free the reading or configure automatic release of the reading after a predefined time.

To free the 'hold' reading, press any of the front key pad or wait the time configured at the **'time'** parameter.

Time 0	hold disabled ('Off')
Time 1 a 3999	seconds waiting
Time 4000	infinite hold

While 'hold' is active, the instrument alarms are still associated to the input signal, therefore still providing control to disconnect the application once the test has finished.

*Example: to test a container, a fluid under pressure is inserted into the container. A pressure transducer provides a 4/20 mA proportional to the pressure applied. When the container breaks, the measured pressure drops sharply. The 'Peak&Hold' function retains the maximum reading on display.*

## 1.12.8 Segment linearization

The instrument provides a segment linearization function that allows up to 20 segments to linearize non linear signals.

*Example: a tank with a non regular shape is used for water storage. The tank has a pressure transducer, and it provides a signal proportional to the level of water in the tank. Using the segment linearization function the reading can be scaled to provide information related to the volume of water in the tank, instead of the height of water in the tank.*

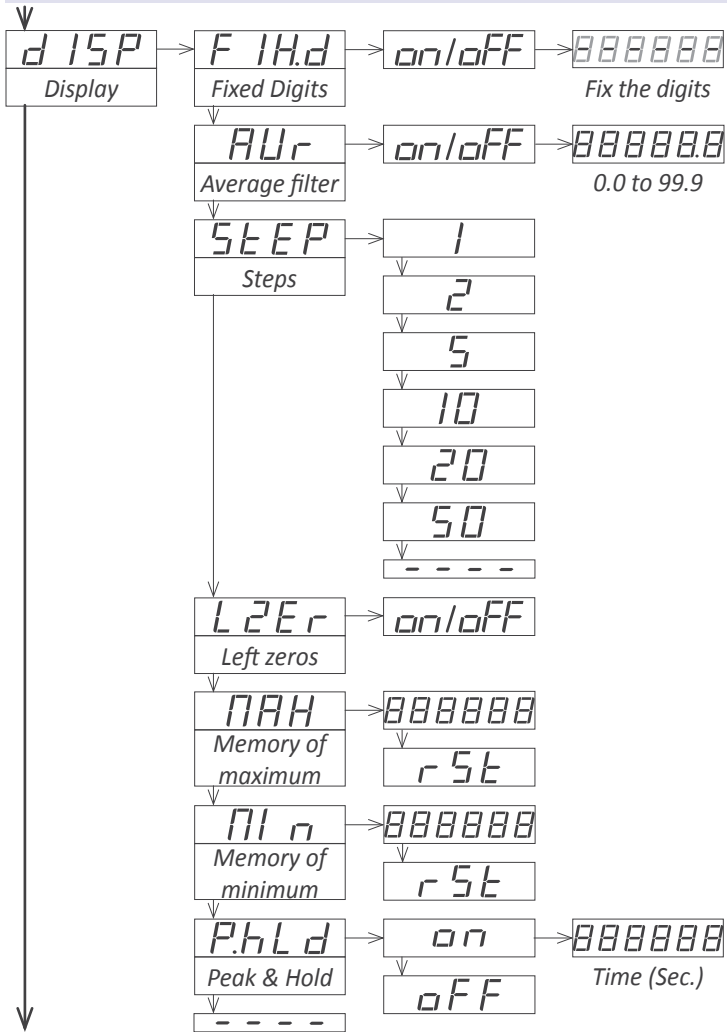
The operator needs to define the number of segments to be used, between 2 and 20. Then the operator must define the signal and reading value for each of the points. Once all the points are entered, activate the linearization and the instrument will check the consistency of the data entered.

If the instrument detects problems with the data introduced, an error message will appear together with the point where

the error was found. The function will not be activated until all errors have been solved.

The configuration can be erased activating the function 'reset'.

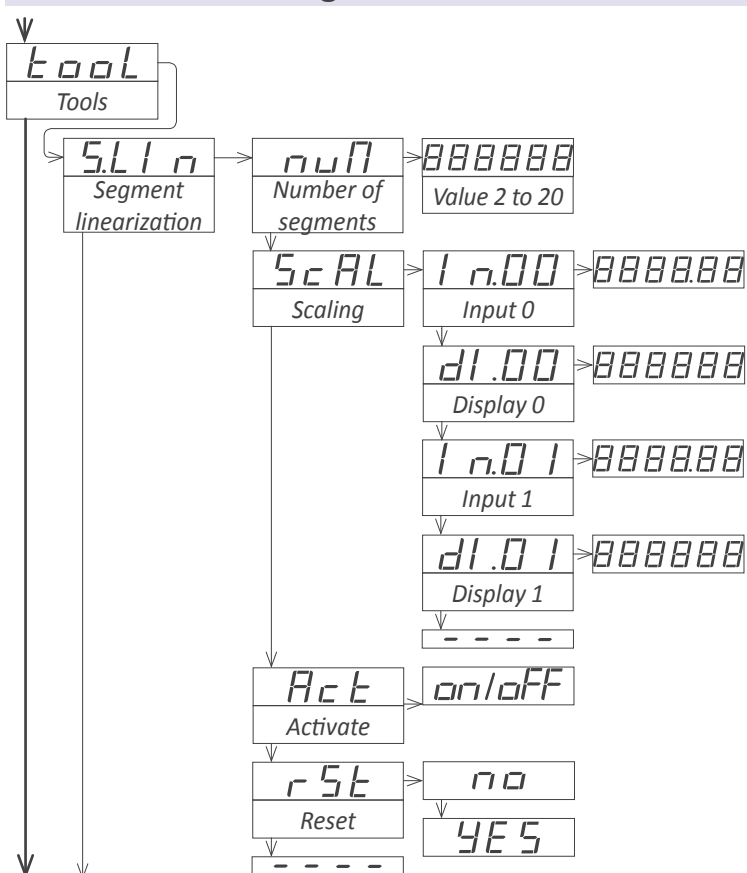
### 1.12.9 Display filters configuration menu



All display functions are grouped under the 'Display' menu. For more information relating the functions listed below see section 1.12.7.

- at the 'Fixed Digits' ('FIX.d') parameter, fix the digits to a fixed value. The '-' value means that the digit is not fixed.
- at the 'Average filter' ('Avr') parameter select 'on' and configure the filter strength between '0.0' and '99.9'. Higher values activate stronger filter. Stronger filters slow down the reading changes.
- at the 'Steps' ('StEP') parameter configure the value for the steps reading changes.
- at the 'Left Zeros' ('LZE') parameter select 'on' to activate the left zeros.
- the 'Memory of maximum' ('MAH') and 'Memory of minimum' ('MI n') are access to the memory values. To reset the value, select the 'rSt' entry and press 'SQ' (■).
- at the 'Peak & hold' ('P.hLd') menu select 'on' to activate the function and configure the 'hold' time.

### 1.12.10 Tools configuration menu



Inside the 'Tools' ('tool') menu several different functions are grouped.

At the 'Segment Linearization' ('S.LIn') define up to 20 segments to linearize non-linear signals. See section 1.12.8 for more information.

- at the 'Number of segment' ('nuM') parameter introduce the number of segments. Value between '2' and '20'.
- at the 'Scaling' ('ScAL') parameter introduce the input signal value ('Input') and the associated reading value ('Display') for each point, starting at point '0', up to the total number of segments previously defined..
- select 'Activate' ('Act') to 'on' to activate the segments previously configured. Select 'off' to disable the segment linearization and return to standard scaling (see section 1.12.2)
- select 'Reset' ('rSt') to 'YES' deletes the actual segment linearization.



### 1.12.11 Fast access

The *'fast access'* is an operator configurable menu. The operator can access this menu with a single press of the front key 'UP' (▲). The configured menu entries will be accessible. Eligible parameters to be accessed by this menu are:

- access to the alarm setpoints through the 'UP' (▲) key allows to read and modify the values.
- access to the maximum and minimum alarms through the 'UP' (▲) key allows to read and reset the values. To reset the memory values: visualize the value on display, press the 'UP' (▲) key, when the 'rSt' message appears, press 'SQ' (■). The instrument will return to the memory visualization. Press the 'LE' (◀) key to exit his menu.
- access to the 'tare' parameter through the 'UP' (▲) key allows to visualize the value (in display counts) of the tare applied (see section 1.12.14).
- access to the 'measure' function through the 'UP' (▲) key visualizes the actual signal at input terminals, without scaling, directly in mA or Vdc value. The 'measure' function pro-

vides a direct 'voltmeter' or 'miliammeter' integrated into the instrument, to be used for troubleshooting. It helps to easily confirm if the received signal is correct or not.

The *'fast access'* menu is not affected by the password function. This means that the configuration menu can be password blocked, while some configured functions or parameters can still be accessible to the operator through the *'fast access'* menu.

#### • Super fast access

If only a single function is selected for the *'fast access'* menu, pressing the the 'UP' (▲) key will shortly display the function name and then automatically jump to the function value.

### 1.12.12 'on power up' function

The **'On Power Up'** ('on.Pu') functions allows to define a series of actions to activate when the instrument restarts after a power loss. Functions available are a delay so the instrument waits a defined time before starting to measure and control, and an automatic tare of the reading. The functions will apply only after a restart due to power-loss, they will not apply after a restart due to changes in configuration.

Delaying the measure and control functions gives additional time to elements of the system who are slower, so they can start completely before the instrument begins to acquire signal and control the outputs.

While on delay mode, the instrument shows all decimal points lightened and flashing, all alarms are deactivated, and there is no signal acquisition or communications control. When the delay time is over, the instrument starts its normal functioning.

### 1.12.13 'LE' key

The 'LE' (◀) key at the front of the instrument can be configured to activate several functions. Only one function can be assigned to the 'LE' (◀) key. Eligible functions are the 'tare' function (see section 1.12.14) and the alarm unlock function (see section 1.12.4).

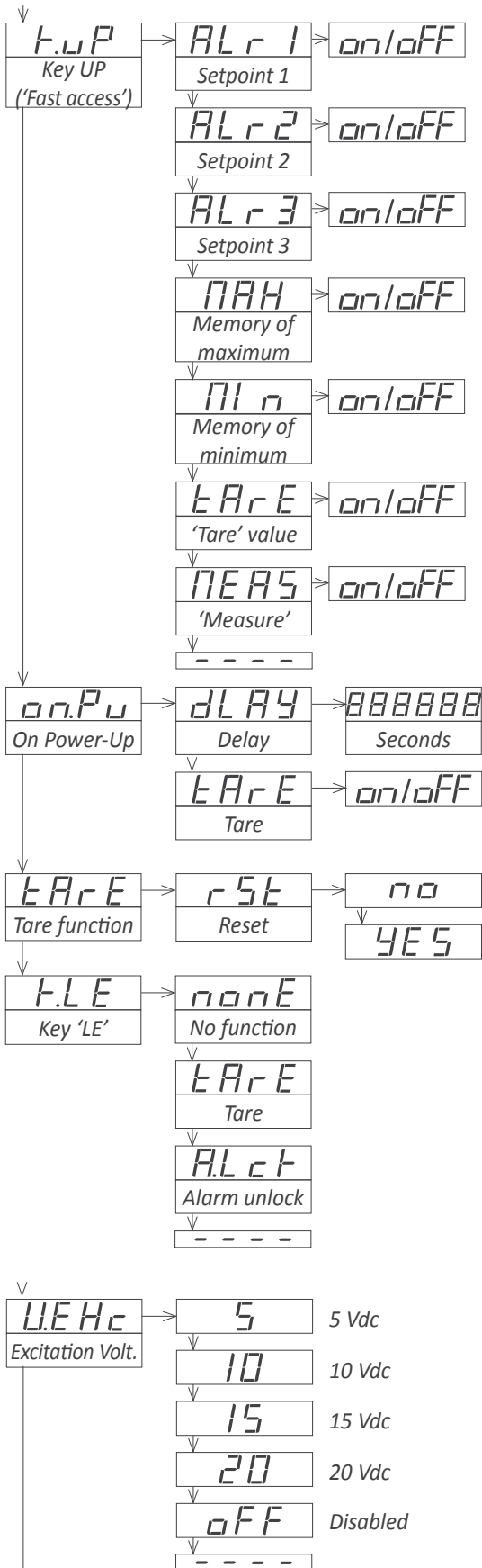
### 1.12.14 'Tare' function

The **'Tare function'** ('tArE') allows to use the instrument with weight applications. The tare function assigns the actual input signal value to a display of '0', by means of an internal offset. The scaling of the instrument is not modified, only additional counts are added to the offset.

The tare function is accessible through the front 'LE' (◀) key (see section 1.12.13). The actual value of the tare is accessible through the front 'UP' (▲) key (see section 1.12.11). To reset the tare to '0' counts activate the 'reset' parameter of the 'tare' menu

### 1.12.15 Excitation voltage

The **'Excitation Volt'** ('V.EXc') allows to select the excitation voltage value to 5 Vdc, 10 Vdc, 15 Vdc or 20 Vdc. Select 'oFF' to disable the excitation voltage.



At the **'Key UP ('fast access') ('K.uP')** menu configure which functions and parameters will be accessible through the 'fast access' menu. Select 'on' to activate each function. For more information see section 1.12.11.

- the **'Setpoint 1' ('ALr1')** function allows to visualize and modify the alarm 1 setpoint through the 'fast access' menu.
- the **'Setpoint 2' ('ALr2')** function allows to visualize and modify the alarm 2 setpoint through the 'fast access' menu.
- the **'Setpoint 3' ('ALr3')** function allows to visualize and modify the alarm 3 setpoint through the 'fast access' menu.
- the **'Memory of maximum' ('MAX')** or **'Memory of minimum' ('MIn')** functions allow to visualize the maximum or minimum reading value stored in memory.
- the **'tare value' ('tArE')** allows to visualize the value of the applied tare.
- the **'Measure' ('MEAS')** function allows to visualize the actual input signal in mA or Vdc, without scaling.

The **'On Power Up' ('on.Pu')** menu assigns functions to be applied when the instrument starts after a power loss. For more information see section 1.12.12.

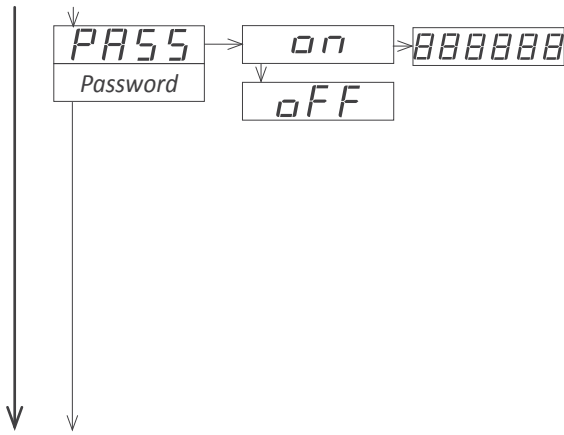
- at the **'Delay' ('dLAY')** parameter configure the time the instrument will wait before starting normal functionality. Time between 0 and 200 seconds.
- at the **'tare function' ('tArE')** parameter select 'on' to activate an automatic tare every time the instrument starts after a power loss..
- the **'Tare' ('tArE')** allows to reset the value of the tare. See section 1.12.14 for more information on the 'tare' function..

The **'LE' (◀)** key at the front of the instrument can be configured to activate several functions. For more information see section 1.12.13.

- the **'No function' ('nonE')** parameter assigns no function.
- the **'Tare' ('tArE')** parameter assigns the tare function.
- the **'Alarm unlock' ('A.Lck')** parameter assigns the manual alarm unlocking, when the **'Locked alarms' ('A.Lck')** is active (see section 1.12.4).

At the **'Excitation Volt.' ('V.EXc')** menu select the excitation voltage of the instrument. For more information see section 1.12.15.

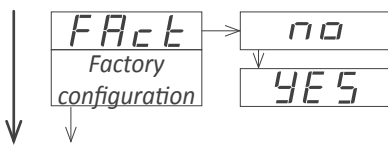
### 1.12.16 Password configuration



The password function blocks access to the configuration menu. The 'fast access' menu is not affected by the password function. This means that the configuration menu can be password blocked, while some configured functions or parameters can still be accessible to the operator through the 'fast access' menu.

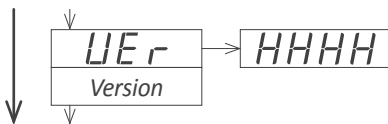
To activate the 'Password' function select 'on' and introduce the 6 digits code. The code will be requested when trying to access the 'configuration menu' (front key 'SQ' (■)).

### 1.12.17 Default factory configuration



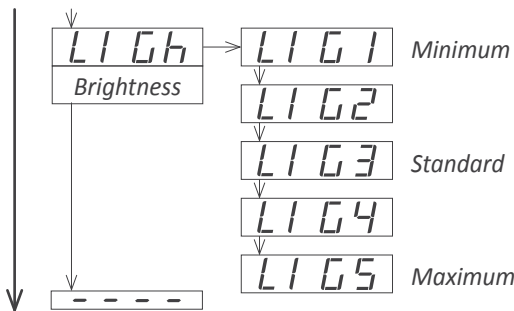
At the 'Factory configuration' ('FACT') menu select 'yes' to activate the default factory configuration. See section 1.13 for a list of default parameters.

### 1.12.18 Firmware version



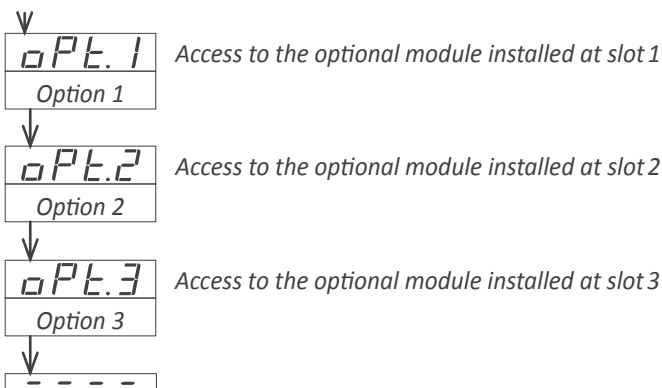
The 'Version' ('VER') menu informs about the firmware version installed on the instrument.

### 1.12.19 Brightness configuration



At the 'Brightness' ('LIGH') menu select the intensity level for the display. Use this function to adapt the brightness to match other instruments in the vicinity or to the darkness or clarity of your environment.

### 1.12.20 Access to the options configuration menu



The output and control options are optional modules that can be installed at the instrument. Formats 46 and 41 have 2 free slots for output and control options, while formats 64 and 61 have 3 free slots (see section 1.4).

Several of these optional modules have their own configuration menu embedded. The 'OPT.1', 'OPT.2' and 'OPT.3' menu entries give access to the configuration menu of the option installed.

## 1.13 Factory configuration

Range	4/20 mA
Scaling and decimal point	4/20 mA = 0/100.0
Alarms 1,2 and 3	
Active	off (disabled)
Type	as maximum
Setpoint	1000
Hysteresis	0 counts
Activation delay	0.0 seconds
Deactivation delay	0.0 seconds
Setpoint 2	off
Inverted relay	off
Locked alarms	off
Display	
Fixed digits	off
Average	off
'Steps'	off
Left zeros	off
Maximum memory	-199999
Minimum memory	999999
'Peak&Hold'	off
Tools	
Segment linearization	off
Fast access	off
'On Power Up'	
Delay	0 seconds
Tare	off
Ley 'LE'	no function
Excitation voltage	+20 Vdc
Password	off
Brightness	3

## 1.14 Messages and errors

Error messages are informed flashing on display (examples for 6 digit formats).

<b>Messages and errors</b>	
'h.ldr' 'h.ovr'	hardware underrange ('h.ldr') / overrange ('h.ovr'). Input signal is lower / higher than the minimum / maximum signal the instrument can detect.
'd.ldr' 'd.ovr'	display underrange ('d.ldr') / overrange ('d.ovr'). The display is displaying the maximum / minimum value possible (-199999 / 999999).
'hoLd'	the 'hold' function is active. Display is on hold.
'P.hLd'	the 'Peak&Hold' function is active.
'Err.0'*	at the 'scaling' ('ScAL') menu entry, the defined slope is higher than '5000' (slope almost vertical) or higher than 10000 for 6 digit formats. Default values are activated. *Slope= [(dHl-dLo)/(lHl-lLo)]
'Err.1'	incorrect password.
'Err.2'	when accessing an 'oPt.X' menu entry, the installed module can not be recognized.
'Err.3'	at 'segment linearization' ('SLin') menu entry, the input signal values are not in growing succession.
'Err.5'*	at the 'segment linearization' ('SLin') menu entry, the defined slope of one segment is higher than '5000' (slope almost vertical) or higher than 10000 for 6 digit formats. *Slope= [(dHl-dLo)/(lHl-lLo)]
'Err.8'	excitation voltage overload.

Table 12 - Messages and error codes

# 1.15 Full configuration menu

Press 'SQ' (■) for 1 second to access the 'Configuration menu'.

**INP**  
Input

- 420 4/20 mA input signal range
- 010 0/10 Vdc input signal range
- 620 ±20 mA input signal range
- 610 ±10 Vdc input signal range
- 

**dP**  
Decimal point

8888888

**ScAL**  
Scaling

- 1.Lo** Input Low: 8888888
- d.Lo** Display Low: 8888888
- 1.hi** Input High: 8888888
- d.hi** Display High: 8888888
- 

**F.cor**  
Field correction

- F.Lo** Correction Low: Wait (5 sec.) → off (■)
- F.hi** Correction High: Wait (5 sec.) → off (■)

**ALr**  
Alarms

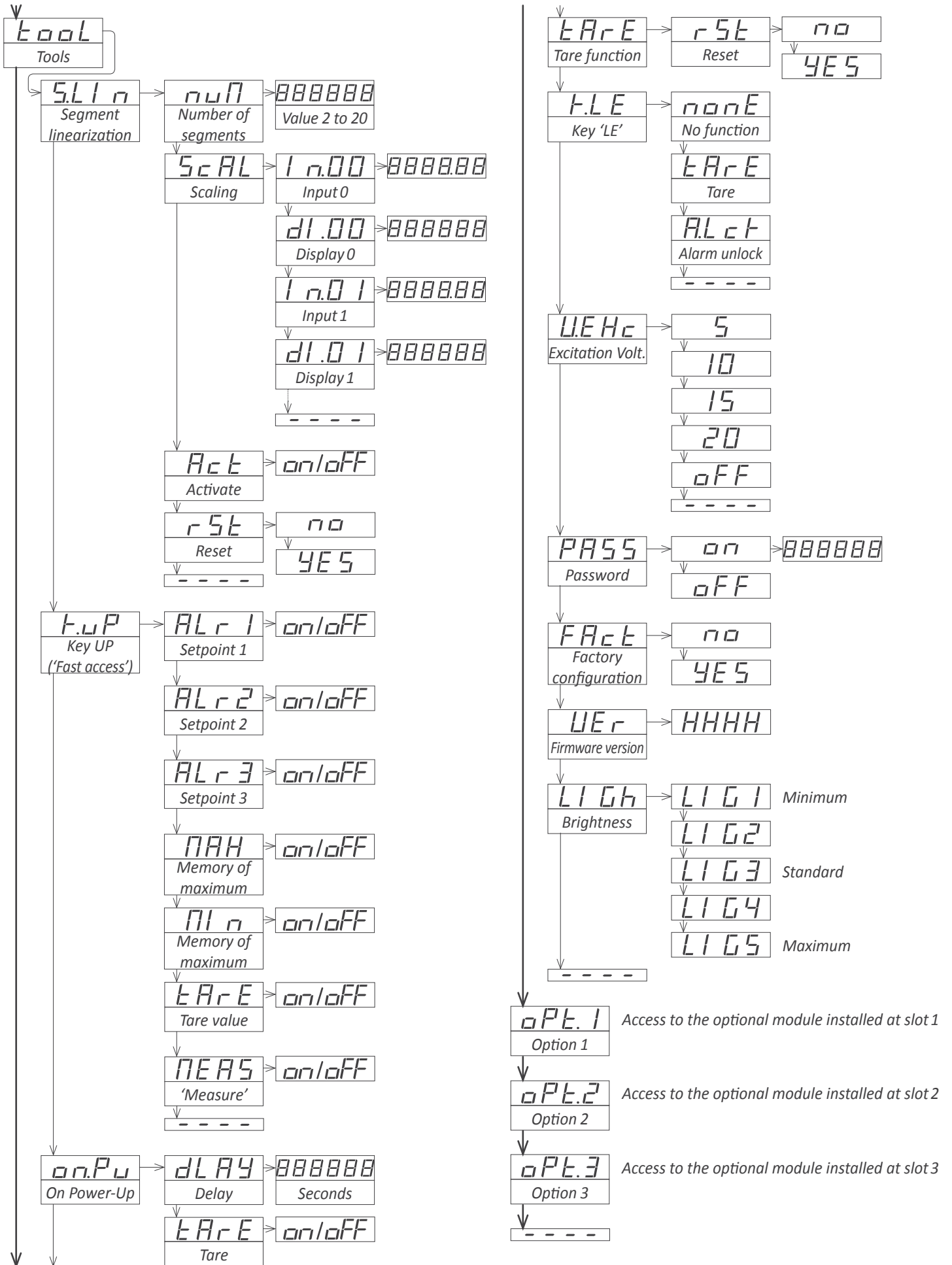
**ALr 1** Alarm 1

- Act** Active: on/off
- tYPE** Alarm type: NAn, NIn
- SEt** Setpoint: 8888888
- hYSt** Hysteresis: 8888888
- dEL.0** Activation delay: 8888888
- dEL.1** Deactivation delay: 8888888
- SEt2** Setpoint 2: on/off → 8888888

- r.l nU** Inverted relay: on/off
- ALct** Locked alarm: on/off
- 
- ALr 2** Alarm 2
- ALr 3** Alarm 3
- 

**dISP**  
Display

- F.H.d** Fixed Digits: on/off → 8888888
- AUr** Average filter: on/off → 8888888 (0.0 to 99.9)
- StEP** Steps: 1, 2, 5, 10, 20, 50, ---
- L2Er** Left zeros: on/off
- MAH** Memory of maximum: 8888888, rSt
- MI n** Memory of minimum: 8888888, rSt
- P.hLd** Peak & Hold: on/off → 8888888 (Time (sec.))
-



## 1.16 Mounting

The instrument fixations are designed to allow panel mount, wall mount, or hanging mount. For each type of mounting,

- Panel mount. Apply the cut-out to the panel as seen on section 1.4. Remove the side fixations. Introduce the instrument into the panel cut-out. Mount the side fixations as shown (see Figure 12). Slightly loosen the fixation screw of one side and press the instrument against the panel. Tighten the fixation screw so it presses the panel and maintains the fixation. Repeat with the opposite side fixation.

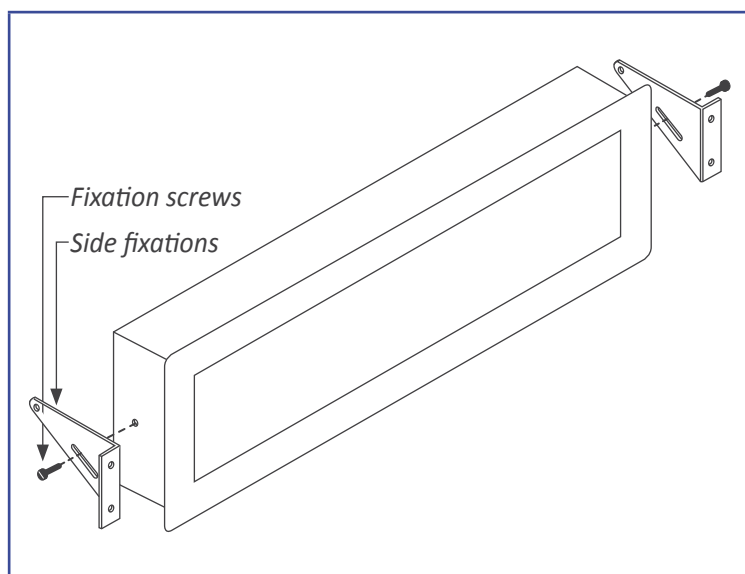


Figure 12 - Panel mount

see the position of the fixations at the images below.

- Wall mount. Mount the side fixations against the wall, as shown (see Figure 14). Each fixation has 2 holes with 4,5 mm diameter and a separation between hole centers of 30 mm. Once the side fixations are secured against the wall, place the instrument and press the fixation screws slightly. Tilt the instrument to the desired viewing angle and firmly screw the fixation screws.

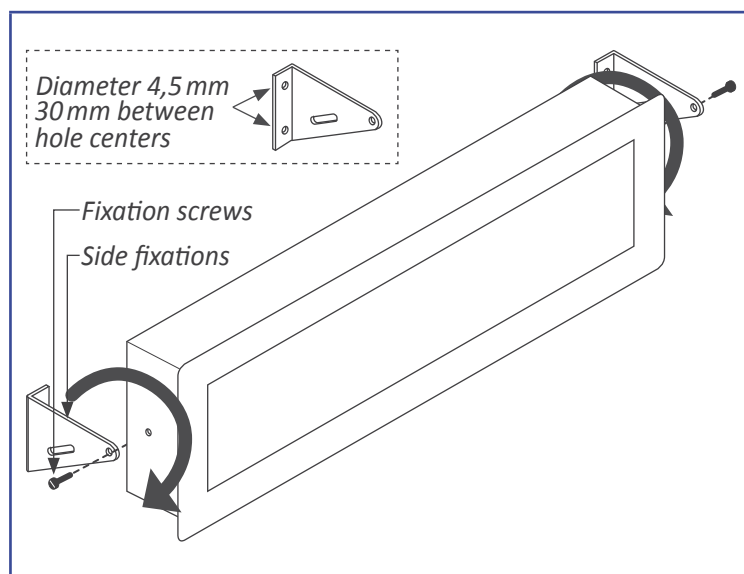


Figure 14 - Wall mount

- Hanging mount. Mount the side fixations as shown (see Figure 13). Each fixation has 2 holes with 4,5 mm diameter and a separation between hole centers of 30 mm. Instrument can be hanged using cable, threaded rod, ....

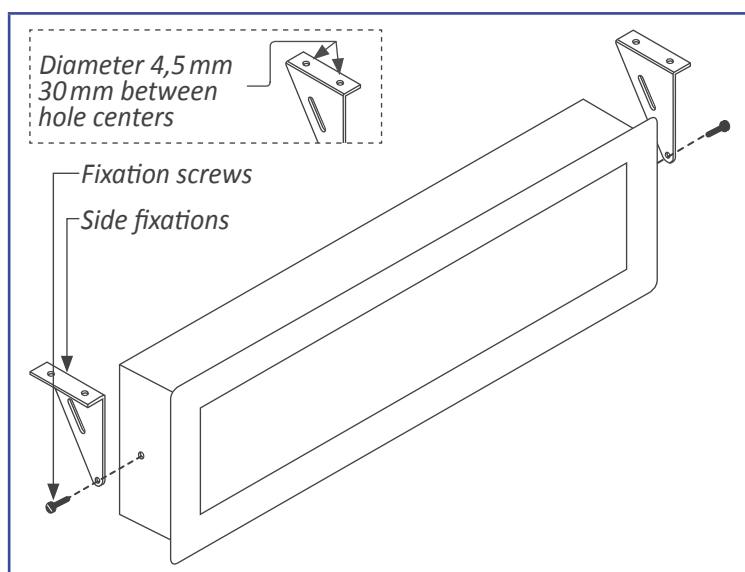


Figure 13 - Hanging mount



## 1.17 Installation precautions



Risk of electrical shock. Instrument terminals can be connected to dangerous voltage.



Instrument conforms to CE rules and regulations.

This instrument has been designed and verified conforming to the 61010-1 CE security regulation, for industrial applications. Installation of this instrument must be performed by qualified personnel only. This manual contains the appropriate information for the installation. Using the instrument in ways not specified by the manufacturer may lead to a reduction of the specified protection level. Disconnect the instrument from power before starting any maintenance and / or installation action. The instrument does not have a general switch and will start operation as soon as power is connected. The instrument does not have protection fuse, the fuse must be added during installation.

An appropriate ventilation of the instrument must be assured. Do not expose the instrument to excess of humidity. Maintain clean by using a humid rag and do NOT use abrasive products such as alcohols, solvents, etc.

General recommendations for electrical installations apply, and for proper functionality we recommend : if possible, install the instrument far from electrical noise or magnetic field generators such as power relays, electrical motors, speed variators, ... If possible, do not install along the same conduits power cables (power, motor controllers, electrovalves, ...) together with signal and/or control cables.

Before proceeding to the power connection, verify that the voltage level available matches the power levels indicated in the label on the instrument.

In case of fire, disconnect the instrument from the power line, fire alarm according to local rules, disconnect the air conditioning, attack fire with carbonic snow, never with water.

## 1.18 Warranty

This instrument is warranted against all manufacturing defects for a period of 36 MONTHS from the shipment date. This warranty does not apply in case of misuse, accident or manipulation by non-authorized personnel. In case of malfunction get in contact with your local provider to arrange for repair. Within the warranty period and after examination by the manufacturer, the unit will be repaired or substituted when found to be defective. The scope of this warranty is limited to the repair cost of the instrument, not being the manufacturer eligible for responsibility on additional damages or costs.

## 1.19 CE declaration of conformity

Manufacturer PCE INSTRUMENTS

Products PCE-BPD-U

The manufacturer declares that the instruments indicated comply with the directives and rules indicated below.

Electromagnetic compatibility directive 2014/30/EU

Low voltage directive 2014/65/EU

Directive ROHS 2011/65/EU

Directive WEEE 2012/19/EU

### Security rules EN-61010-1:2010

Instrument Fixed, Permanently connected

Pollution degree 1 and 2 (without condensation)

Isolation Basic + Protective union

### Electromagnetic compatibility rules EN-61326-1:2013

EM environment Industrial

#### Immunity levels

EN-61000-4-2 By contact  $\pm 4$  KV Criteria B  
By air  $\pm 8$  KV Criteria B

EN-61000-4-3 Criteria A

EN-61000-4-4 On AC power lines:  $\pm 2$  KV Criteria B  
On DC power lines:  $\pm 2$  KV Criteria B  
On signal lines :  $\pm 1$  KV Criteria B

EN-61000-4-5 Between AC power lines  $\pm 1$  KV Criteria B  
Between AC power lines and earth  $\pm 2$  KV Criteria B  
Between DC power lines  $\pm 1$  KV Criteria B  
Between DC power lines and earth  $\pm 2$  KV Criteria B  
Between signal lines and earth  $\pm 1$  KV Criteria B

EN-61000-4-6 Criteria A

EN-61000-4-8 30 A/m at 50/60 Hz Criteria A

EN-61000-4-11 0 % 1 cycle Criteria A  
40 % 10 cycles Criteria A  
70 % 25 cycles Criteria B  
0 % 250 cycles Criteria B

#### Emission levels

CISPR 11 Instrument Class A, Group 1 Criteria A



According to directive 2012/19/EU, electronic equipment must be recycled in a selective and controlled way at the end of its useful life.

## 2. Other options and accessories

### 2.1 PCE-BPD-RK Remote keypad

Remote keypad for big panel displays. Replicates a remote version of the front keypad, close to the operator.

*(\*Cable not provided).*











# PCE Instruments

## GERMANY

PCE Deutschland GmbH  
Im Langel 4  
D-59872 Meschede  
Deutschland  
Tel.: +49 (0) 2903 976 99 0  
Fax: +49 (0) 2903 976 99 29  
info@pce-instruments.com  
www.pce-instruments.com/deutsch

## GERMANY

Produktions- und  
Entwicklungsgesellschaft mbH  
Im Langel 26  
D-59872 Meschede  
Deutschland  
Tel.: +49 (0) 2903 976 99 471  
Fax: +49 (0) 2903 976 99 9971  
info@pce-instruments.com  
www.pce-instruments.com/deutsch

## NETHERLANDS

PCE Brookhuis B.V.  
Institutenweg 15  
7521 PH Enschede  
Nederland  
Telefoon: +31 (0)53 737 01 92  
Fax: +31 53 430 36 46  
info@pcebenelux.nl  
www.pce-instruments.com/dutch

## USA

PCE Americas Inc.  
711 Commerce Way suite 8  
Jupiter / Palm Beach  
33458 FL  
USA  
Tel: +1 (561) 320-9162  
Fax: +1 (561) 320-9176  
info@pce-americas.com  
www.pce-instruments.com/us

## FRANCE

PCE Instruments France EURL  
23, rue de Strasbourg  
67250 Soultz-Sous-Forets  
France  
Téléphone: +33 (0) 972 3537 17  
Numéro de fax: +33 (0) 972 3537 18  
info@pce-france.fr  
www.pce-instruments.com/french

## UNITED KINGDOM

PCE Instruments UK Ltd  
Units 11 Southpoint Business Park  
Ensign Way, Southampton  
Hampshire  
United Kingdom, SO31 4RF  
Tel: +44 (0) 2380 98703 0  
Fax: +44 (0) 2380 98703 9  
info@industrial-needs.com  
www.pce-instruments.com/english

## CHILE

PCE Instruments Chile S.A.  
RUT: 76.154.057-2  
Calle Santos Dumont N° 738, Local 4  
Comuna de Recoleta, Santiago  
Tel. : +56 2 24053238  
Fax: +56 2 2873 3777  
info@pce-instruments.cl  
www.pce-instruments.com/chile

## TURKEY

PCE Teknik Cihazları Ltd.Şti.  
Halkalı Merkez Mah.  
Pehlivan Sok. No.6/C  
34303 Küçükçekmece - İstanbul  
Türkiye  
Tel: 0212 471 11 47  
Faks: 0212 705 53 93  
info@pce-cihazlari.com.tr  
www.pce-instruments.com/turkish

## SPAIN

PCE Ibérica S.L.  
Calle Mayor, 53  
02500 Tobarra (Albacete)  
España  
Tel. : +34 967 543 548  
Fax: +34 967 543 542  
info@pce-iberica.es  
www.pce-instruments.com/espanol

## ITALY

PCE Italia s.r.l.  
Via Pesciatina 878 / B-Interno 6  
55010 Loc. Gagnano  
Capannori (Lucca)  
Italia  
Telefono: +39 0583 975 114  
Fax: +39 0583 974 824  
info@pce-italia.it  
www.pce-instruments.com/italiano

## HONG KONG

PCE Instruments HK Ltd.  
Unit J, 21/F., COS Centre  
56 Tsun Yip Street  
Kwun Tong  
Kowloon, Hong Kong  
Tel: +852-301-84912  
jyi@pce-instruments.com  
www.pce-instruments.cn

## CHINA

PCE (Beijing) Technology Co., Limited  
1519 Room, 4 Building  
Men Tou Gou Xin Cheng  
Men Tou Gou District  
102300 Beijing  
China  
Tel: +86 (10) 8893 9660  
info@pce-instruments.cn  
www.pce-instruments.cn