

**99104**

**3 Phase connection select fixture**

**Specifications**

## Contents

1. Scope.....	3
2. 99104 Specifications.....	3
3. 99104 Appearance .....	3
4. Accessories List .....	4
5. 99104 Circuit diagram .....	4
6. 3 Phase 3 wire and 3 Phase 4 wire connection description .....	5
(1) 99104 rear panel setting switch: .....	5
(2) Load Setting: Refer to the load operating manual for detail description.....	5
(3) 99104 rear panel setting switch: .....	5
(4) Load Setting: Refer to the load operating manual for detail description.....	5
7. Parallel connection description.....	6
(1) 99104 rear panel setting switch: .....	6
(2) Load Setting: Refer to the load operating manual for detail description.....	6

# 1. Scope

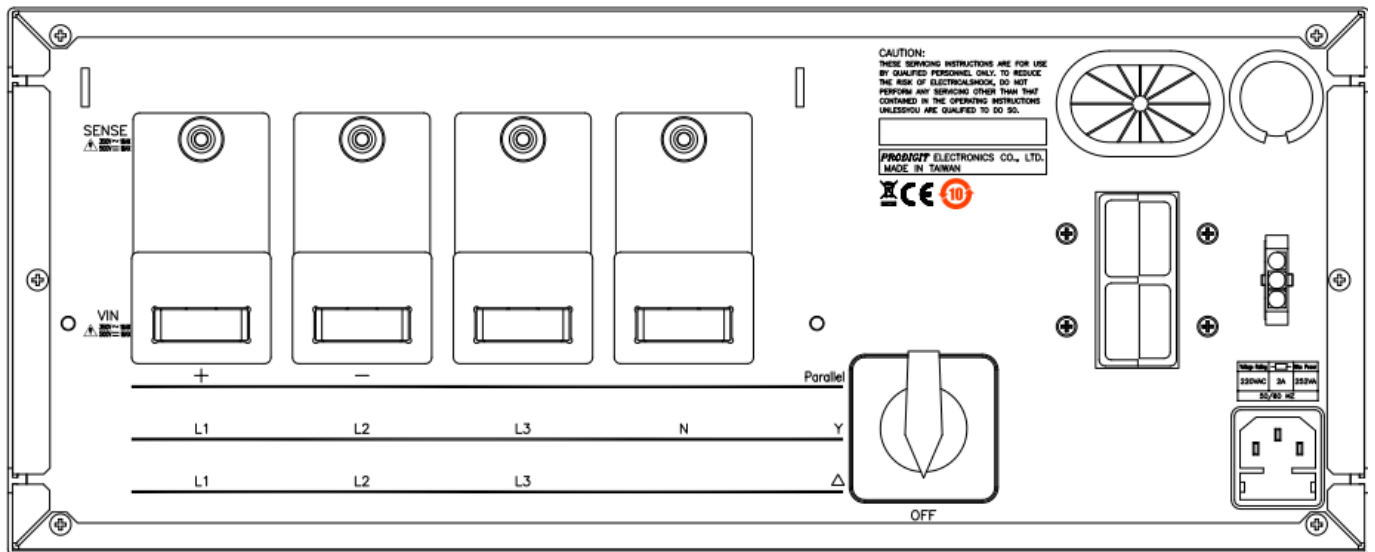
99104 3 Phase connection select fixture for 3 phase connection application the connection specification range for 350Vac 80A maximum per phase. Suitable for 3 Phase power production.

# 2. 99104 Specifications

Mode	AC Input	MAX POWER CONSUMPTION	Dimension(HxWxD)	WEIGHT
99104	220VAC;50Hz/60Hz	252VA	177mm x 440mm x 673mm	32Kg

INPUT TERMINAL	VOLTAGE	CURRENT
VIN	350VAC	80A
SENSE	350VAC	5A

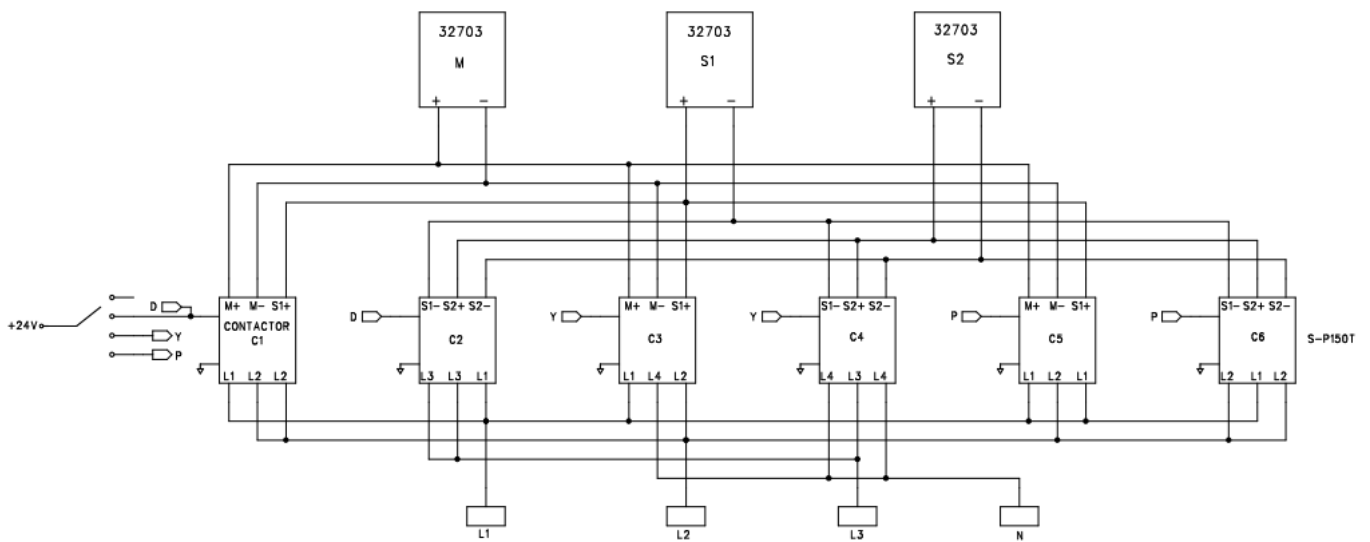
# 3. 99104 Appearance



## 4. Accessories List

- 4.1. Power cord #18AWG/3C
- 4.2. Banana Plug SLS10B RED x4
- 4.3. Vin cable(wiring sets) , Plug-in Connector red and black #4AWG 150cm
- 4.4. Vsense cable(wiring sets) , 3P terminal (E120H-03 E020-T1\*2)2C with coaxial cable 150cm
- 4.5. Screw for Bus bar(M8\*1.25 L=35mm NI)x4 , Nut (M8\*1.25 NI)x4 、 Washer x 8

## 5. 99104 Circuit diagram



△ : C1 、 C2 ON

Y : C3 、 C4 ON

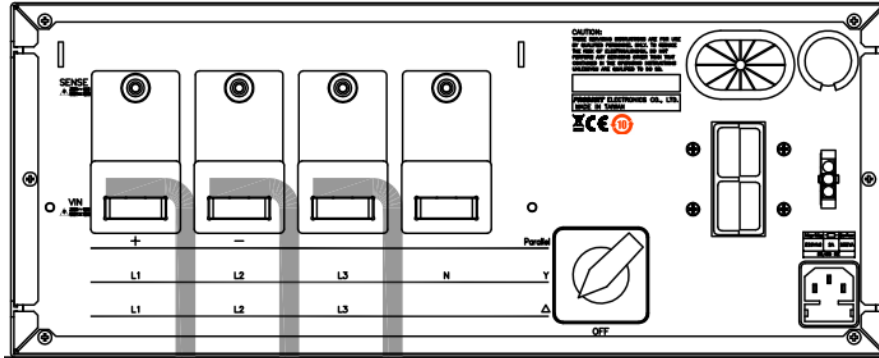
Parallel : C5 、 C6 ON

## 6. 3 Phase 3 wire and 3 Phase 4 wire connection description

### 6.1. 3 Phase 3 wire connection

- (1) 99104 rear panel setting switch :

Put the switch to delta “ $\Delta$ ” for 3 phase 3 wire connection.

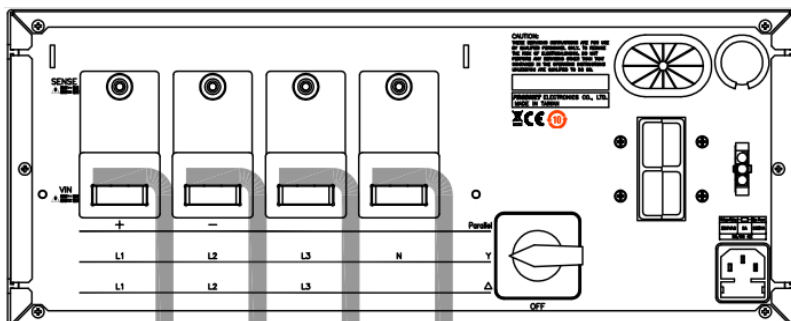


- (2) Load Setting : Refer to the load operating manual for detail description.  
Master unit press system key setting CONTROL MODE to CTRL MASTER 3PH  
Slave unit press system key setting CONTROL MODE to CTRL SLAVE1  
Slave unit press system key setting CONTROL MODE to CTRL SLAVE2

### 6.2. 3 Phase 4 wire connection

- (3) 99104 rear panel setting switch :

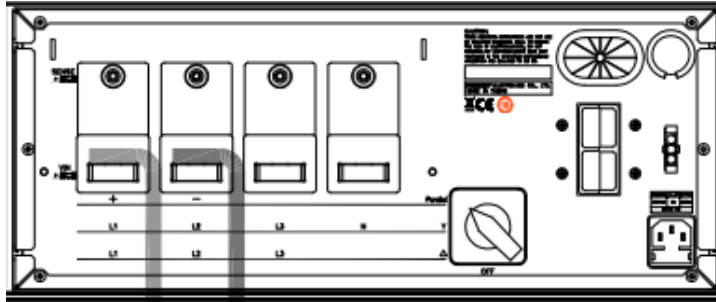
Put the switch to “Y” for 3 phase 4 wire connection.



- (4) Load Setting : Refer to the load operating manual for detail description.  
Master unit press system key setting CONTROL MODE to CTRL MASTER 3PH  
Slave unit press system key setting CONTROL MODE to CTRL SLAVE1  
Slave unit press system key setting CONTROL MODE to CTRL SLAVE2

## 7. Parallel connection description

- (1) 99104 rear panel setting switch :  
Put the switch to Parallel for parallel connection.



- (2) Load Setting : Refer to the load operating manual for detail description.  
Master unit press system key setting CONTROL MODE to CTRL MASTER BOOST  
Slave unit press system key setting CONTROL MODE to CTRL SLAVE1  
Slave unit press system key setting CONTROL MODE to CTRL SLAVE2