

PUTON[®] ATR Series Automated Taping Machine

Introduction

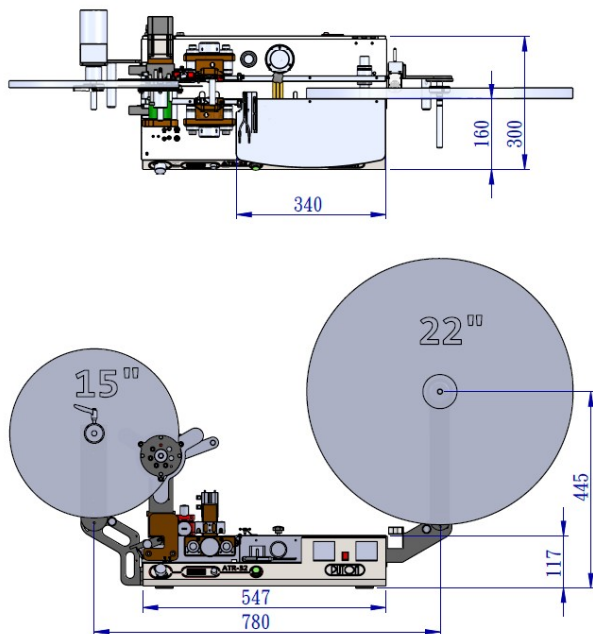
In electronic manufacturers, an accurate automated taping machine can lead to superiority of process which is vital to production procedures. The ATR series automated taping machine designed with the highly refined control technology and mechanism design which is the best selection for the electronic manufacturing service providers. From the tiny size components to the complex modules, the ATR series can satisfy all of your package needs.



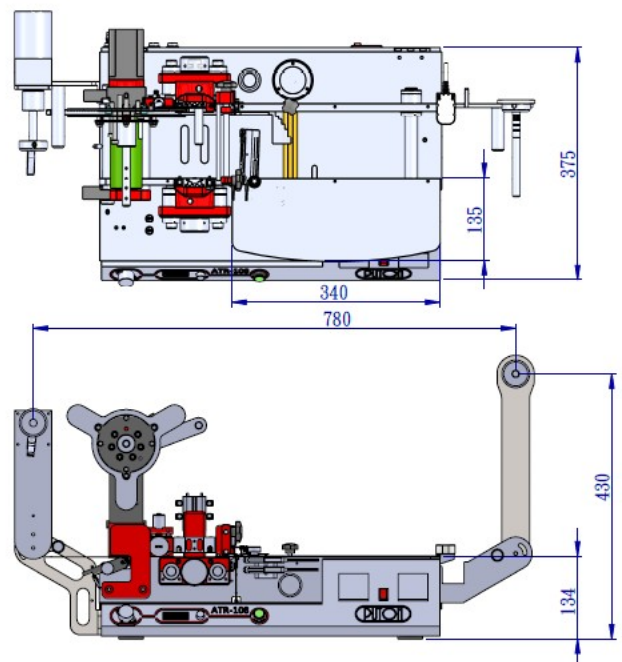
Features

- The passive pin wheel design which make the integrity of the entire roll of material will not be damaged due to negligence or unexplained jamming.
- Use the double knife and seat design. Both are made of ultra-high hardness steel. The press knife uses a double guide cylinder to move up and down to quickly adjust the relative position.
- Provide I/O contact which can be connected and integrated with the main mechanism to complete automated production.
- Optional CCD inspection system or ink marker.
- Automatically detect empty pocket and floating to make sure the chip put in the pocket correctly.
- Able to adjust the width quickly. Basic adjustment - quick adjustment of track width. Fine adjustment - for more precise positioning according to different needs.
- Provides the independent heat sealing controller. It is able to control the speed, temperature, space. You can select PSA (pressure sensitive adhesive) or heat sealing.
- Provides modular design, programmable control, friendly and intuitive man-machine interface.

ATR-32



ATR-108



Puton Technology Inc.

9F-8, No.18, Ln.609, Sec.5, Chongxin Rd., Sanchong Dist., New Taipei City 24159, Taiwan, ROC

Tel: 02-29998680 Fax: 02-29996768 Mobile: 0928809788

www.puton.com.tw



Specifications

PUTON

Model		ATR-32	ATR-108
Application		Automated integration and stand-alone	
Seal form		Heat sealing and PSA	
Carrier tape	Width	8 ~ 32 mm	8 ~ 108 mm
	Plastic reel diameter	200~550mm, 20"	
	Depth	20 mm	35 mm
Cover tape		200 mm	
Heat seal	Heat seal knife	Length: 61mm width: 0.5mm	
	Temperature control	PID micro computer program control 30 ~ 300°C	
Control system	Controller	Embedded system, LCD display, control button	
	Package speed	Seal knife type 90mm/s *1 Continuous type 125mm/s *2	
Host	Dimension	800 x 270 x 410mm Work panel height:100mm	800 x 350 x 410mm Work panel height:100mm
	Weight	32 kg	36 kg
Operating environment	Power requirement	AC 110/220 ,50/60 Hz	
	Air pressure	5.0 kg/cm ²	
	Temperature	15 ~ 40°C	
	Humidity	35 ~ 85%	
Detection Systems	Empty detection	V	
	Float detection	V	
	Carrier tape detection	V	
	I/O control	V	
Supported	Foot padel	V	
Optional	AOI	Optional	
	Ink Marker	Optional	

*1 : Step 15, time

*2 : Step 20

Puton Technology Inc.

9F-8, No.18, Ln.609, Sec.5, Chongxin Rd., Sanchong Dist., New Taipei City 24159, Taiwan, ROC

Tel: 02-29998680 Fax: 02-29996768 Mobile: 0928809788

www.puton.com.tw

