

## Introduction

Combined with Allfeeder, the bulk feeding system, AOI and taping machine, the BR-400 provides a one-stop taping machine for bulk-in and tape-out.

## Features

- High elasticity pick system is suitable for all kinds of parts
- The soft nozzle does not hurt the material
- SCARA arm provide stable at high speed throughput.
- Compact machine frame design.
- With casters and foot pad design, it can be moved and fixed easily.
- The PC-base easy-to-use UI is clear and obvious for the users.

### Universal high-speed AOI

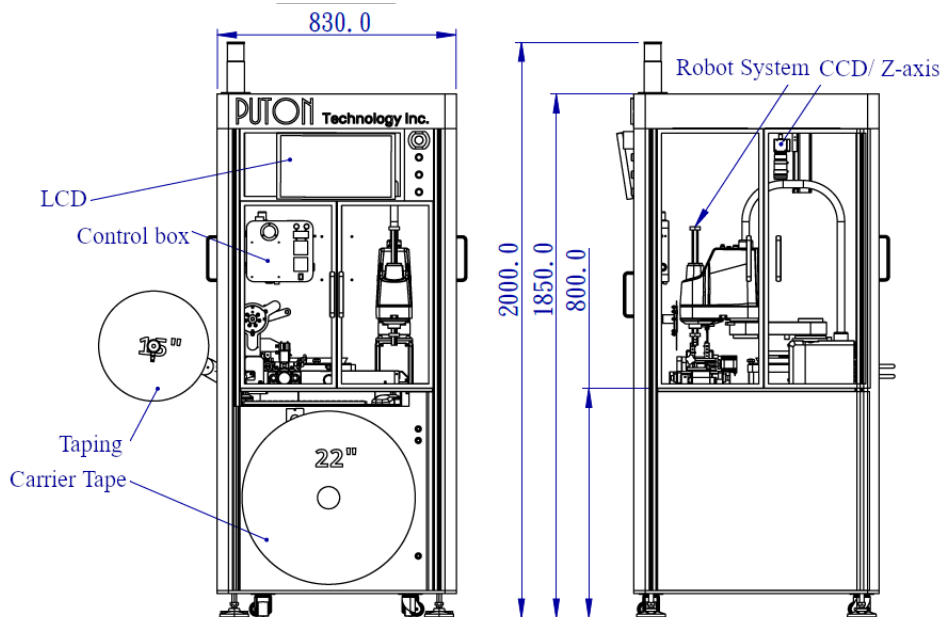
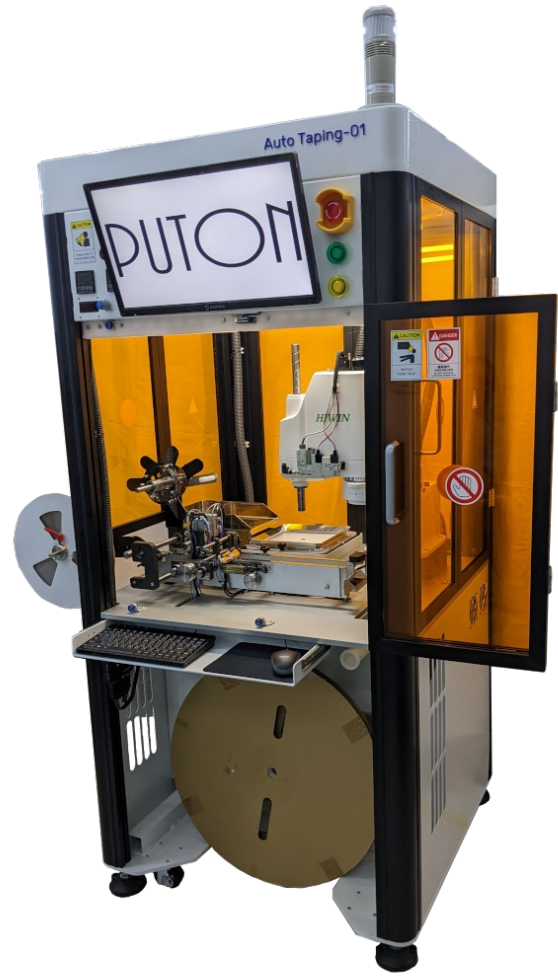
- Easy to set up and change production line.
- Versatile to respond to a wide range of products

### FPF-22S AllFeeder

- Suitable for all kinds of materials
- Software adjusted frequency and amplitude
- Quick and easy line change
- With backlight function

### ATR-32/108 Automatic taping machine

- Supports tape width max to 32/108
- Automatic detection of missing tape, empty material and abnormal floating material.
- PSA and heat sealing dual purposes
- Supports the plastic reel of the carrier tape up to is 22".



## Puton Technology Inc.

9F-8, No.18, Ln.609, Sec.5, Chongxin Rd., Sanchong Dist., New Taipei City 24159, Taiwan, ROC  
Tel: 02-29998680 Fax: 02-29996768 Mobile: 0928809788

[www.puton.com.tw](http://www.puton.com.tw)



## Specifications

Model		BR-400
Main unit	Robot	4-axis SCARA
	Speed	2~3s / 1 time
	Repeatability	±0.02mm
	Pick & place	Vacuum generator, metal nozzle, soft cup
	Weight	15g (MAX)
	Security	Anti-static transparent acrylic safety door, three-color warning light, emergency stop switch
	Dimension	850W × 850D × 2,000H mm (Not included the taping machine)
	Power	AC 200~245 Single-phase three-wire
	Frequency	50/60Hz
	Air Input	0.6Pa (6.0Kg/cm <sup>2</sup> )
Control system	OS	Windows 10
	Display	17" TFT LCD
	Input	Keyboard/mouse
AOI	Resolution	<input type="checkbox"/> 2 million pixels for 10-30mm components <input type="checkbox"/> 5 million pixels for 5~30mm components
	Lens	<input type="checkbox"/> Large FOV, 200*250 mm <input type="checkbox"/> Small FOV, 70*80 mm
Input	AllFeeder	FPF-22S
	Hopper	OTF-190
	light source	Backlight
Output	Taping Machine	<input type="checkbox"/> ATR-32, PSA & heat seal, tapes under 32m widths <input type="checkbox"/> ATR-108, PSA & heat seal, tapes under 108m widths
	Feeding Machine	Up to 22 inches
Option	Input / output	<input type="checkbox"/> Tube in <input type="checkbox"/> JEDEC Tray in/out <input type="checkbox"/> Tube out <input type="checkbox"/> Conveyor
	Others	<input type="checkbox"/> Ink marker <input type="checkbox"/> Character or image AOI <input type="checkbox"/> Barcode reader

### **Puton Technology Inc.**

9F-8, No.18, Ln.609, Sec.5, Chongxin Rd., Sanchong Dist., New Taipei City 24159, Taiwan, ROC

Tel: 02-29998680 Fax: 02-29996768 Mobile: 0928809788

[www.puton.com.tw](http://www.puton.com.tw)

