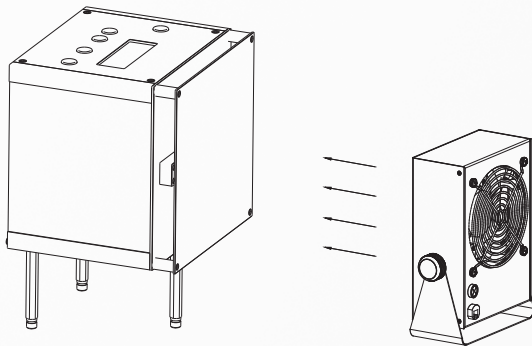


## Features

- Use non-contact sensor, high test resistance and precision, stable.
- Four working modes function, can be used as a voltmeter, parameters of four working modes can be set accordingly.
- With 'PASS' function, parameters of which can be set as per product requirements, the unit will alarm if test fails.
- With data recording function, can record 100 groups of data for further reference.
- Personality setting, select related functions as per requirements.
- Built-in chargeable battery, it can be used even no external power supply.
- Easy operation, convenient to carry.

## Testing Diagram



## Specifications

|                             |                             |
|-----------------------------|-----------------------------|
| Voltage Range               | 0~±1000 V                   |
| Voltage Accuracy            | ±(5%+1 digit)               |
| Time Accuracy               | 1%                          |
| Time Range                  | 0~600s                      |
| External Power Supply       | DC 12V 400mA                |
| Built-in Chargeable Battery | 8.4V (Li)                   |
| Display                     | LCD, screen size:100mm×24mm |
| Standby Time                | 600s                        |
| Ambient Temperature         | 0~40°C                      |
| Relative Humidity           | 0~70%                       |
| Test Plate                  | 152mm x 152mm               |
| Dimensions                  | 152(L) x 152(W) x 225(H) mm |
| Weight                      | About 1.76kg                |

\* Manufactured as per ESD-STM3.1-2000 and ABSU/EIS/ESD-S3.1-1991.