



Quick Electronic Equipment Co.,Ltd
Sujun Electronic Co.,Ltd

Add: Wujin High-Tech Development Zone, Jiangsu,China

Tel: 0086-519-86576372 86225678

Fax: 0086-519-86558599 Zip: 213166

E-mail:overseas@quickchina.com.cn

Http://www.quick-global.com

COMPANY PROFILE

Established in 1994, QUICK Electronic is one of the leading manufacturers and exporters of soldering & desoldering equipments and other related products in China.

With over ten years of development, taking pride in a professional team of engineers, QUICK has grown to be the most professional manufacturer now. ISO9001 Quality Management System has been successfully introduced to improve and perfect ourselves in all aspects.

Quick products include Lead Free Soldering Stations, Lead Free Rework Stations, Hot Air/ Infrared BGA Rework Systems, Static Eliminators&Meters, Lead Free Solder Pots, Fume Extractors etc. Besides, more and more new products have been developed for the market, such as advanced Lead Free Soldering Stations, Programmable Rework Stations, various types of Rework Systems, Automatic Soldering Robots, Automatic Dispensing Robot and so on. Most of them are CE approved. The products are widely sold at home and abroad and are appreciated by customers because of the excellent price versus performance ratio.

To provide customers with products attractive in quality and reasonable price and best service is the principle we work under. As did in the past, we will continue to offer customers an all-round support in future. It's our sincere wish to establish long term business relationships with all the interested customers.

For more information, please visit our website at www.quick-global.com in different languages.

CONTENT



- Automatic Robot Series _____ 1—4
 - Soldering Robot
 - Dispensing Robot
- Soldering Equipment Series _____ 5—20
 - Lead Free Soldering Station
 - Common Soldering Station
 - SMD Hot Tweezer
 - Self-Feeder
 - Self-Feeder Soldering Station
 - Solder Wire Break Station
 - Thermometer
- Fume Extractor Series _____ 21—24
 - Fume Extractor
 - Smoke Absorber
- Rework Equipment Series _____ 25—36
 - BGA Rework System
 - Lead Free Rework Station
 - Rework System
 - Desoldering Tool
 - Vacuum Pickup
 - Preheater
- Static Eliminator & Meter Series _____ 37—47
 - Static Eliminator
 - Ionizing Air Gun/Power Supply
 - Ionizing Air Bar/Power Supply
 - Ionizing Air Snake/Power Supply
 - Static Meter
 - Combo Tester
 - Wrist Strap Monitor
 - Surface Resistance Tester
- Other Products _____ 48—50
 - Magnifying Lamp
 - Dispensing Controller
 - Lead Free Solder Pot
 - Ultrasonic Cleaner



AUTOMATIC SOLDERING ROBOT
QUICK/9310

QUICK/9310D

QUICK/9304


● QUICK9210 (D) series available

QUICK9210(D)/9310(D)

Specifications :

Specification		QUICK9210(D)	QUICK9310(D)	QUICK9304
Input Voltage		AC 220V		
Number of Control Axis		Three		Four
Movement Range	X (mm)	200 mm	300mm	300mm
	Y (mm)	200 mm	300mm	300mm
	Z (mm)	50 mm	100mm	100mm
	R(mm)	———	———	±360°
Speed Range	X (mm/sec)	1~600mm/sec		
	Y (mm/sec)	1~600mm/sec		
	Z (mm/sec)	1~300mm/sec		
	R (mm/sec)	———	———	400°/sec
Load Weight	Table	6Kg	8Kg	8Kg
	Head	2Kg	5Kg	5Kg
Repeat Precision		±0.02mm		
Resolution		0.01mm		
Adjustable Temperature Range		80℃-480℃		
Speed Control		Three-dimensional line,circular interpolation, auto-lifting speed processing with belt speed		
Demonstration File Capacity		≤255PCS, maximum 999 points of each file		
Processing File Capacity		≤32PCS, maximum 2M bytes of each file		
Diameter of Soldering Wire		0.3, 0.5, 0.6, 0.8, 1.0, 1.2(mm)		
Dimension W×D×H(mm)		364×298×440mm	418×480×500mm	418×480×750mm
Weight (Kg)		About 18Kg	About 22.3Kg	About 25.0Kg
Environmental Conditions	Temperature(℃)	0~40℃		
	Humidity (%)	20%~90%(non condensing)		

AUTOMATIC DISPENSING ROBOT
QUICK/8200

Three-axis Automatic Dispensing Robot
Pressure Canister

Double Group Dispensing Robot
QUICK8200(D)/8300(D)

Specifications:

Specification		QUICK8200(D)	QUICK8300(D)
Voltage		220V AC	
Number of Control Axis		Controlled by three-axis simultaneously	
Movement Range	X (mm)	200 mm	300 mm
	Y (mm)	200 mm	300 mm
	Z (mm)	50 mm	100 mm
Speed Range	X (mm/sec)	0.1~600 mm/sec	
	Y (mm/sec)	0.1~600 mm/sec	
	Z (mm/sec)	0.1~300 mm/sec	
Repeat Precision		±0.02 mm	
Resolution		0.01 mm	
Controlled Way		CP, PTP	
Load Weight	Table(Kg)	6Kg	8Kg
	Head(Kg)	2Kg	5Kg
Axis controlled by motor		Three	
Controlled Way		Open loop control	
Speed Control		Three-dimensional line, circular interpolation, auto-lifting speed processing with belt speed	
Feeding Gel Compensation		Feeding gel and stop feeding in advance, delay feeding and delay stop feeding available	
CAD Picture		Software with DXF picture and G code, manual drawing available	
Demonstration File Capacity		≤255PCS maximum 999 points of each file	
Processing File Capacity		≤32PCS, 2M bytes of each file	
Dimension W×D×H(mm)		364×298×440mm	418×480×500mm
Weight(Kg)		About17.3Kg	About17.3Kg
Environmental	Temperature(°C)	0~40	
Conditions	Humidity(%)	20%~90%(non condensing)	

LEAD-FREE SOLDERING STATION
QUICK/3202
Features:

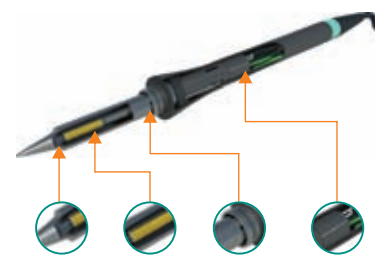
- Micro computer control, rapid heating and thermal recovery.
- Digital temperature calibration, insert-plug design of heating element, easy maintenance.
- Insert-plug design of soldering tip, safe and reliable grounding way.
- Temperature locked by password, three temperatures can be set and saved.
- Two tip cleaning ways available (sponge and metallic sponge).

Specifications:

Power Consumption	90W
Temperature Range	100°C-500°C (max) (can be selected as per working modes)
Temperature Stability	±2°C (stationary air, no load)
Max Ambient Temperature	40°C
Tip to Ground Resistance	< 2Ω
Tip to Ground Potential	< 2mV
Dimensions	96(W)×160(D)×135(H) mm
Weight	about 1.38kg



● Tips See P19



- Sensor
- High Frequency Heating
- Cold Terminal Grounding
- Insert-Plug Design of Heater

QUICK/202 QUICK/202D
Features:

- Switching power supply, can prevent the unit from being damaged, such as short circuit protection, overheating protection, overpowering. Power output will not vary with the change of voltage fluctuation.
- Fast heating and rapid thermal recovery; suitable for lead free soldering.
- If temperature exceeds the limit set by the operator, the unit will alarm (50°C above or below the set temperature).
- Temperature locking function available.
- ESD safe by design.
- Various types of tips available.

Specifications:

Model	QUICK202	QUICK202D
Power Consumption	90W	
Output Voltage	DC 48V 400K Hz	
Temperature Range	80°C-480°C	200°C -450°C
Auto Sleeping Time	0-99 min(adjustable)	
Shut-off Time	0-99 min(adjustable)	
Range of Sleeping Temp	50°C -250°C	
Temperature Calibrating Method	Manually	Digitally
Ambient Temperature	40°C	
Max Temperature Stability	±2°C (stationary air, no load)	
Dimensions	155(L)×78(W)×120(H)mm	
Weight(no power cord)	About 1.0kg	

Soldering iron:

Power Consumption	DC48V 80W
Tip to Ground Resistance	<2Ω
Tip to Ground Potential	<2mV
Heating Element	Electromagnetic element
Handle Length(no power cord)	180mm
Weight	120g



● Tips See P17

LEAD-FREE SOLDERING STATION
QUICK/303
Features:

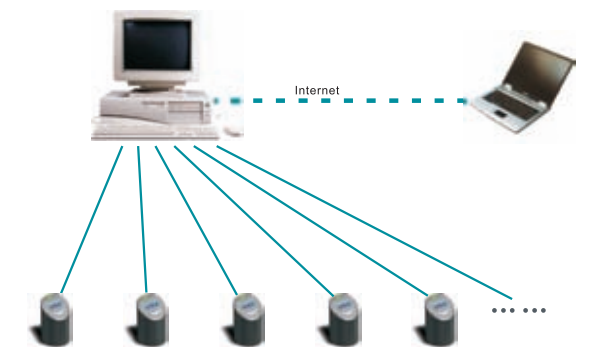
- At most 64 units can be connected to one computer for group management.
- Sensor closer to the tip; rapid thermal recovery.
- Calibrate temperature digitally and easily.
- Large LCD design displaying two temperatures.
- New appearance; take up little space.
- Range of temperature limits can be set according to needs; the station will alarm if temperature exceeds the limit.
- Auto-sleeping time and shut-off time can be set.
- Password locks temperature
- Safe and reliable grounding method to avoid changes of tip-to-ground resistance and tip-to-ground potential during soldering process.
- Separate design of heater and soldering tip; save cost of replacing spare parts.
- ESD safe by design.

Specifications:

Power Consumption	90W
Output Voltage	AC 36V 400K Hz
Temperature Range	select according to working modes
Temperature Stability	±2°C(stationary air, no load)
Connection Manner	Rs485
Max Quantity of the unit connecting to PC	64 units
Tip to Ground Resistance	<2Ω
Tip to Ground Potential	<2mV
Heating Element	Electromagnetic element
Dimensions	Φ120×150(H)mm
Weight(no power cord)	About 2.1kg



● Tips See P17


QUICK/303D
Features:

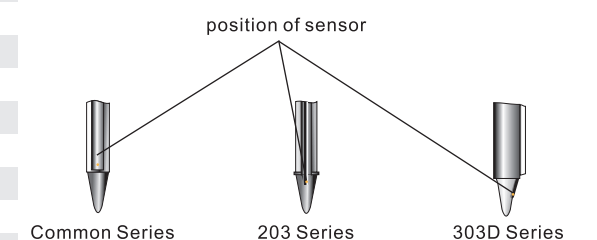
- High frequency current heating, sensor closer to the tip, can sense the temperature change of soldering joints quickly.
- Rapid heating and thermal recovery.
- New and reliable tip grounding system, tip to ground leakage potential and resistance can meet international standards after long-time using.
- Light soldering iron, comfortable for using, insert-plug design of heating element and soldering tip, easy replacement.
- Large backlighting LCD screen, can display two temperatures.
- Digital temperature calibration, easy operation, password protection function.
- Temperature limits can be set as per requirements, the soldering station will alarm automatically if temperature exceeds the limits.
- Shut-off and sleeping time can be set.
- Be suitable for lead-free soldering occasions particularly.

Specifications:

Power Consumption	120W
Temperature Range	50°C-500°C
Temperature Stability	±2°C (stationary air, no load)
Tip to Ground Resistance	< 2Ω
Tip to Ground Potential	< 2mV
Sleeping Time Range	0-99 min
Shutoff Time Range	0-99 min
Dimensions	165(L)×130(W)×110(H) mm
Weight	about 1.5kg



● Tips See P17



LEAD-FREE SOLDERING STATION
QUICK/3112
Features:

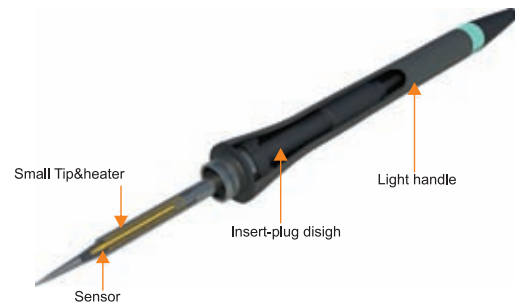
- Light soldering iron, comfortable for using.
- Digital temperature calibration, easy operation.
- Fine soldering tip, suitable for confined space soldering
- ESD safe by design.

Specifications:

Power Consumption	60W
Voltage	AC 220V
Temperature Range	100°C - 450°C
Alarm Temperature Range	01°C-99°C
Tip to Ground Resistance	< 2Ω
Tip to Ground Potential	< 2mV
Weight	about 1.60kg



● Tips See P20


QUICK/204 QUICK/204H
Features:

- Set temperature by knob.
- Separate design of soldering tip, sensor and heater. Low cost of replacing spare parts.
- Fast heating and rapid thermal recovery; suitable for lead free soldering.
- Various types of tips available. Easy operation.
- ESD safe by design.

Specifications:

Item	QUICK204ESD	QUICK204 HESD
Power Consumption	60W	90W
Temperature Range	200°C-400°C	
Temperature Stability	±2°C (stationary air, no load)	
Input Voltage/Frequency	220V/110V 50Hz/60Hz	
Output Voltage/Frequency	36V AC 400K Hz	
Temperature Rising Time (20°C -350)	35S	25S
Temperature Dropping	30°C	25°C
Heating Theory	High frequency current	
Tip to Ground Resistance	< 2Ω	
Tip to Ground Potential	< 2mV	
Auto Sleeping	—	
Temperature-lock Mode	Mechanical	
Weight(no power cord)	About 2.0kg	About 2.6kg



● Tips See P18

LEAD-FREE SOLDERING STATION
QUICK/203 QUICK/203H
Features:

- Low cost of replacing spare parts, separate design of soldering tip, sensor and heater.
- Sensor close to the tip, accurate temperature, rapid thermal recovery.
- Auto sleeping function available, energy-efficient.
- Temperature locked by password to ensure soldering efficiency.
- Digit temperature calibration, easy operation.
- ESD Safe by design

Specifications:

Item	QUICK203ESD	QUICK203H
Max Power	60W	90W
Temperature Range	50°C-400°C	
Temperature Stability	±2°C (stationary air, no load)	
Input Voltage/Frequency	220V/110V 50Hz/60Hz	
Output Voltage/Frequency	36V AC 400K Hz	
Temperature Rising Time (20°C -350°C β5S)	25S	25S
Temperature Dropping	30°C	25°C
Heating Mode	Intelligent	
Heating Theory	High frequency current	
Tip to Ground Resistance	< 2Ω	
Tip to Ground Potential	< 2mV	
Auto Sleeping	Yes	
Temperature-lock Mode	Mechanical	
Weight(no power cord)	About 2.0kg	About 2.6kg



● Tips See P18

QUICK/203D
Features:

- Two soldering irons can be used independently, save space.
- Sensor close to tip, accurate temperature, rapid thermal recovery.
- Separate design of soldering tip, sensor and heater. Low cost of replacing spare parts.
- Temperature lock function available, ensure soldering process.
- Digital calibration, easy operation.
- Auto sleeping function, energy-efficient.

Specifications:

Power Consumption	90W*2
Temperature Range	80°C -480°C
Temperature Stability	±2°C
Tip to Ground Resistance	<2Ω
Tip to Ground Potential	<2mV



● Tips See P18

LEAD FREE SOLDERING STATION

QUICK/203G

Features:

- High frequency current heating; fast heating and rapid thermal recovery; suitable for lead free soldering.
- Micro computer control; set temperature only by pressing keys and calibrate it digitally; more functions available, such as auto sleeping, auto shut-off.
- Large power design (150 watt), max 8mm tip available.
- Temperature locked by password to ensure soldering process.
- ESD safe by design, various types of tips available.

Specifications:

Max Power Consumption	150W
Input Voltage	110V/220V
Output Voltage	36V AC 400K Hz
Temperature Range	50°C -600°C
Temperature Stability	±2°C (stationary air, no load)
Tip to Ground Potential	<2mV
Tip to Ground Resistance	<2Ω
Dimensions	200(L)×130(W)×100(H)mm
Weight	About 2.7kg



● Tips See P18

QUICK/206B

Features:

- High frequency current heating; fast heating and rapid thermal recovery; suitable for lead free soldering.
- Micro computer control; set temperature only by pressing keys and calibrate it digitally; more functions available, such as auto sleeping, auto shut-off.
- Max power up to 320W, max 10mm tip available.
- Temperature locked by password to ensure soldering process.
- ESD safe by design, various types of tips available.

Specifications:

Type	QUICK206B	QUICK206C	QUICK206D
Power Consumption	180W	200W	320W
Input Voltage	110V/220V		
Output Voltage	DC 48V 400K Hz		
Temperature Range	50°C -600°C		
Temperature Stability	±2°C (stationary air, no load)		
Tip to Ground Potential	<2mV		
Tip to Ground Resistance	<2Ω		
Dimensions	100(L)×245(W)×200(H)mm		
Weight	About 2.0kg	About 3.2kg	About 2.2kg



● Tips See P18

LEAD FREE SOLDERING STATION

QUICK/3100

Features:

- High temperature resistant heating element, long lifetime.
- Rapid heating and thermal recovery, accurate and stable temperature.
- Light soldering iron, comfortable for using.
- Digital temperature calibration, various types of long lifetime tips available, easy operation.
- Three preset temperatures, temperature locked by password.



QUICK3100



QUICK3101



QUICK3102

● Tips See P19

Specifications:

Type	QUICK3100	QUICK3101	QUICK3102
Display	Analog	LED	LCD
Power Consumption	80 W	80 W	80 W
Temperature Range	200°C - 450°C	100°C - 450°C	100°C - 450°C
Temperature Stability	±2°C (stationary air, no load)		
Ambient Temperature (Max)	40°C		
Tip to Ground Resistance	< 2Ω		
Tip to Ground Potential	< 2mV		
Dimensions	83(W)×140(D)×125(H) mm		
Weight	about 1.58kg		

QUICK/236

Features:

- Ceramic heater with long lifetime.
- Light handle; suitable for long time of use.
- Calibrate temperature digitally.
- Various types of tips available.
- Especially suitable for mounting and reworking SMD components by hand, soldering common and directly-inserted electronics and lead free soldering under other special conditions.
- ESD safe by design.

Specifications:

Power Consumption	90W
Temperature Range	80°C -480°C
Temperature Stability	±2 °C (stationary air, no load)
Max Ambient Temperature	40°C
Heater Operating Voltage	30V AC
Tip to Ground Potential	<2mV
Tip to Ground Resistance	<2Ω
Length of Handle Cable	1.2 meter
Length of Handle Only(without cable)	190 mm
Dimensions	160(L)×105(W)×125(H)mm
Weight	About 2.6kg



● Tips See P19

SOLDERING STATION
QUICK/969
Features:

- Ceramic heating element with super long life time. Use same soldering tips and heating element as international ones, easy replacement.
- Light handle, suitable for long time of use.
- ESD safe by design, can protect sensitive SMD components from being damaged by static charge leakage.
- Precise and stable temperature control.
- Especially suitable for mounting and rework SMD components by hand, soldering common and directly-inserted electronics.
- Lock screw prevents inadvertent changes to the temperature setting.

Specifications :

Power Consumption	60W
Output Voltage	24V AC
Temperature Range	200°C -480°C
Temperature Stability	±1°C (stationary air, no load)
Tip to Ground Potential	<2mV
Tip to Ground Resistance	<2Ω
Housing Surface Resistance	10 ⁶ -10 ⁹ Ω Anti-electrostatic
Dimensions	170(L)×120(W)×93(H)mm
Weight	About 1.4kg



● Tips See P19

QUICK/967
Features:

- LED Type
- Ceramic heating element with super long life time. Use same soldering tips and heating element as international ones, easy replacement.
- Light handle, suitable for long time of use.
- ESD safe by design, can protect sensitive SMD components from being damaged by static charge leakage.
- Precise and stable temperature control.
- Advanced micro computer inside. Digital indicator ensures accurate temperature settings

Specifications :

Power Consumption	60W
Output Voltage	24V AC
Temperature Range	200°C -480°C
Temperature Stability	±1°C (stationary air, no load)
Tip to Ground Potential	<2mV
Tip to Ground Resistance	<2Ω
Housing Surface Resistance	10 ⁶ -10 ⁹ Ω Anti-electrostatic
Dimensions	170(L)×120(W)×93(H)mm
Weight	About 1.4kg



● Tips See P19

SMD HOT TWEEZER
QUICK/986
Features:

- Light handle assembly, comfortable for using.
- Be used with QUICK3112 soldering station, digital temperature calibration, easy operation.
- Heating the soldering joints directly without affecting adjacent components, suitable for desoldering 0603/0402/0201 components.
- With novel appearance and stable structure.
- ESD safe by design.

Specifications :

Power Consumption	60W
Voltage	AC 220V
Temperature Range	100°C -450°C (can be selected as per working modes)
Alarm Temperature Range	01°C -99°C
Tip to Ground Resistance	<2Ω
Tip to Ground Potential	<2mV
Temperature Stability	±2°C (stationary air, no load)
Max Ambient Temperature	40°C
Weight	About 58g


 ● Not include the controller
 ● Tips See P20

QUICK/989
Features:

- ESD safe by design.
- Twin-tube heating contacting the components directly without affecting adjacent components.
- Especially suitable for rework on component-densely-mounted circuit board.
- Adaptable to several types of soldering stations, remove flake resistor and condenser and SOP elements safely.

Specifications :

Output Voltage	24V AC
Power Consumption	25W×2
Temperature Range	200°C -480°C
Tip to Ground Potential	<2mV
Tip to Ground Resistance	<2Ω
Length	186mm
Weight	About 98g


 ● Not include the controller
 ● Tips See P20
 ● Should be used with QUICK967ESD/QUICK969ESD etc

SELF-FEEDER

QUICK/373C

Features:

- Self-feeder matching system, adaptable to a variety of soldering stations and soldering irons, realize one hand operation.
- Imported motor, automatic feeding, sliding switch design. More functions available and adjustable, such as feeding speed, feeding volume, interval time, backing time etc.
- Auto and manual controlled feeding option.
- Pedal switch or manual switch available.

Specifications :

Motor	Step Motor
Power Consumption	10W
Feeding Speed	About 2.7mm/s-27mm/s(36°/s-360°/s)
Feeding Interval Time	0-2.7s
Feeding Volume	0-150mm
Backing Time	0-0.9s(about 0-25mm, regular speed: 360°/s)
Feeding Mode	Auto(1-9)/Manual(0)
Dia of Wire Usable	0.6, 0.8, 1.0, 1.2mm
Solder Wire Usable	≤1kg(roll)
Dimensions	107(L)×110(W)×215(H)mm
Weight	About 1.5kg



NOTE: 1. It should be used with QUICK969ESD, QUICK967ESD and QUICK lead free soldering stations.
2. Soldering stations are not included

QUICK/373E

Features:

- With one-button feeding and backing function, easy operation.
- Self-feeder, can be used with many types of soldering stations.
- Auto and manual feeding modes available, easy operation.
- Feeding speed, time and interval time can be set, with adjustable backing function.
- Pedal switch and hand switch available.
- ESD safe by design.

Specifications :

Power Consumption	20W
Motor	Step motor
Feeding Speed	2.7mm/s-27mm/s
Feeding Interval Time	0-2.7s
Backing Length	0-25mm
Feeding Mode	Auto(1-9)/Manual(0)
Dia of Soldering Wire	1.4, 1.6, 1.8, 2.0(mm)
Soldering Wire Usable	≤1kg
Weight	about 1.8kg



● Not include the soldering station

SELF-FEEDER SOLDERING STATION

QUICK/375A+ QUICK/375B+

Features:

- Ceramic heating element, long life time, 24V DC heating, safe and reliable.
- Temperature controlled by RTD sensor, rapid heating, temperature precise and stable.
- Imported motor, automatic feeding, sliding switch design. More functions available and adjustable, such as feeding speed, feeding volume, interval time, backing time etc.
- Two operation modes: auto and manual.
- Soldering direction may be changed as needed.
- Suitable for soldering connectors, adapters and soldering under other special conditions.

Specifications :

Motor	Step Motor
Soldering Iron Power Consumption	60W
Temperature Range	200°C -480°C
Temperature Stability	±2°C (stationary air, no load)
Feeding Speed	About 2.7mm/s-27mm/s(36°/s-360°/s)
Feeding Interval Time	0-2.7s
Feeding Volume	0-150mm
Backing Time	0-0.9S (about 0-25mm, regular speed: 360°/s)
Feeding Mode	Auto (1-9)/Manual (0)
Dia of Wire Usable	0.6, 0.8, 1.0, 1.2mm
Solder Wire Usable	≤1kg (roll)
Dimensions	200(L)×138(W)×140(H) mm
Weight	About 2.6kg



LEAD FREE SELF-FEEDER SOLDERING STATION

QUICK/376 QUICK/376D

Features:

- High frequency heating, rapid heating and thermal recovery, suits for lead free soldering. Many types of tips are available with easy replacing.
- Micro computer control, temperature calibrates digitally, temperature set by keys, auto sleeping function.
- Auto and manual ways of solder feeding optional, auto solder feeding mode can solder nine successive soldering joints at most.
- Imported motor, automatic feeding, sliding switch design. More functions available and adjustable, such as feeding speed, feeding volume, interval time, backing time etc.
- Two types of feeding hose optional, easy to use. The long hose is suitable for flexible soldering, the short hose is suitable for fixed soldering.
- Can be used as a lead free soldering station only.
- Pedal switch and manual switch available.

Specifications :

Power Consumption	90W
Operating Voltage of Heater	36V/400K Hz
Range of Soldering Temperature	200°C -420°C
Temperature Stability	±2°C (stationary air, no load)
Leak Voltage	<2mV
Tip to Ground Resistance	<2 Ω
Feeding Speed	About 2.7mm/s-27mm/s(36°/s-360°/s)
Feeding Interval Time	0-2.7s
Feeding Volume	0-150mm
Backing Time	0-0.9s(about 0-25mm, regular speed: 360°/s)
Feeding Mode	Auto(1-9)/Manual(0)
Dia of Wire Usable	0.6, 0.8, 1.0, 1.2mm
Solder Wire Usable	1kg(roll)



LEAD FREE SELF-FEEDER & SOLDER WIRE BREAKING SOLDERING STATION
QUICK/3761 QUICK/376DI
Features:

- High frequency current heating, rapid temperature rising and thermal recovery.
- Automatic soldering wire breaking.
- Micro computer control, digital temperature calibration, with auto sleeping function.
- Auto and manual feeding modes available.
- Feeding speed, times, length and interval time can be adjusted, with adjustable backing function.
- Pedal switch and hand switch available.
- ESD safe by design

Specifications:

Power Consumption	90W
Temperature Range	200°C - 480°C
Temperature Stability	±2°C (stationary air, no load)
Tip to Ground Resistance	<2Ω
Tip to Ground Potential	<2mV
Motor	Step motor
Feeding Speed	about 2.7mm/s-27mm/s(36°/s-360°/s)
Feeding Length	0-150mm
Feeding Interval Time	0-2.7s
Backing Time	0-0.9s (about 0-25mm; constant speed: 360°/s)
Feeding Mode	Auto (1-9)/Manual (0)
Dia of Soldering Wire	0.3, 0.4, 0.5, 0.6, 0.8, 1.0, 1.2, 1.4, 1.6(mm)
Weight	about 3.3kg


QUICK/372F SELF FEEDER&SOLDER WIRE BREAKING STATION
Features:

- Auto feeding, soldering wire breaking, can be used with many types of soldering stations.
- With one-button feeding and backing function, easy operation.
- Auto soldering wire breaking, prevent soldering wire from spattering during soldering process.
- Feeding speed, time, interval time can be set, with adjustable backing function.
- Pedal switch and hand switch available.
- ESD safe by design.

Specifications:

Power Consumption	20W
Motor	Step motor
Feeding Speed	2.7mm/s-27mm/s
Feeding Interval Time	0-2.7s
Backing Length	0-25mm
Feeding Mode	Auto(1-9)/Manual(0)
Dia of Soldering Wire	0.3, 0.4, 0.6, 0.8, 1.0, 1.2(≥1.4mm can be customized)
Soldering Wire Usable	≤1kg
Weight	≤1.8kg


QUICK/372B SOLDER-WIRE BREAK MACHINE
Features:

- Automatic feeding solder wire, easy operation.
- Drill holes with even distance on solder wire automatically, prevent solder wire from spattering during soldering.
- Can be used for drilling holes on solder wire only.
- Feeding speed stepless adjustable, suitable for different occasions.
- ESD safe by design.

Specifications:

Power Consumption	6W
Dia of Soldering Wire	0.3, 0.5, 0.6, 0.8, 1.0, 1.2, 1.5, 1.6, 2.0mm(can be customized)
Dimensions	76(W)×107(H)×168(L)mm
Weight	About 1.75kg(include pedal switch)


QUICK/310 TIP CLEANER
Features:

- Remove the oxides effectively, no damage to the tip.
- When using the chemical paste, the oxides can be easily removed, the tips will become brighter and be coated with tin again.
- Compact size, easy operation.

Specifications:

Power	5W
Dimensions	125(D)×70(W)×65(H) mm
Weight	About 830g


QUICK/191AD THERMOMETER
Features:

- Measure tip temperature quickly and accurately with CA sensor (Dia 0.2mm)
- Auto shut-off function available, shut off time can be set. If the time when the unit is not in use reaches the set value, the unit shuts it off automatically
- Can record max temperature. It shows the highest temperature of tip when pressing (MAX HOLD) button
- Celsius and Fahrenheit interchangeable

Specifications:

Type	Celsius	Fahrenheit
Resolution	1°C	1°F
Measuring Range	0°C -800°C	32 °F -1472°F
Accuracy	±3°C	±5°F
Sensor	K Thermocouple	
Display	3.5-digit ;LCD	
	Battery Alarm	
	Burnout	
Power Supply	9V Alkaline Battery recommended	
Battery Lifetime	More than 150 hours	
Ambient Temperature	0°C -40°C	32 °F -104°F
Dimensions	146(L)*35(W)*83(H)mm	
Weight	About 250g	


QUICK/192 Soldering Tester
Features:

- Measure tip temperature, leak voltage and ground resistance accurately.
- 2-in-1 design, can be used to measure the temperature of solder pot and other solvent with a probe.
- Use reliable micro-computer check, high precision.
- Meet MIL-STD-2000 leak voltage measurement standard.

Specifications:

Temperature	
Resolution	1°C
Measuring Range	0-600°C (32°F -1200°F)
Accuracy	±3°C/±6°F
Sensor	K-type thermometer
Voltage	
Resolution	0.1mV
Measuring Range	0-90mV(AC)
Accuracy	±(3%+2 digits)

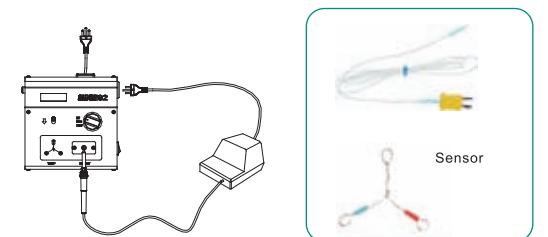
Note: Meet MIL-STD-2000 standard.

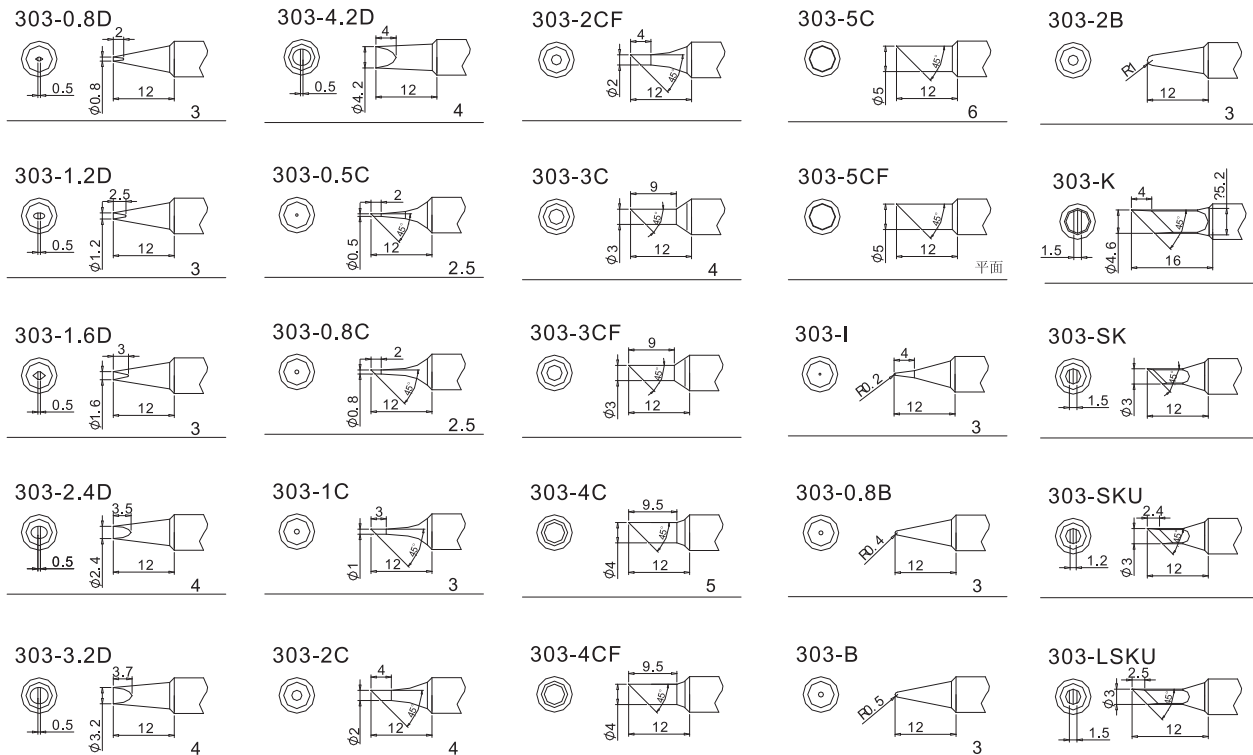
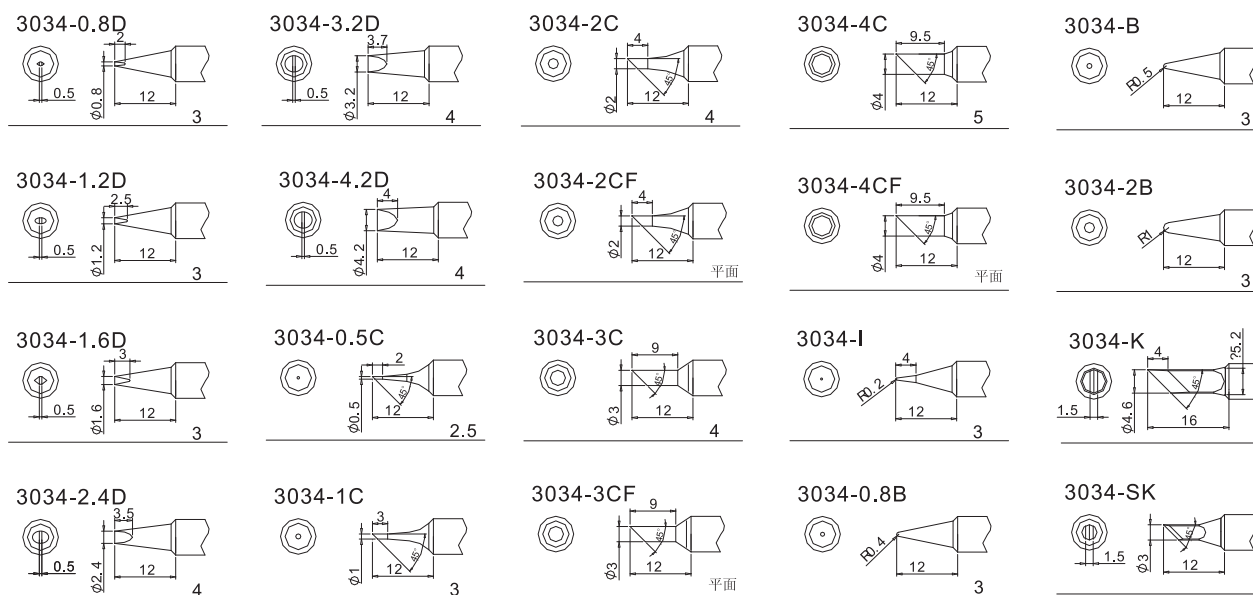
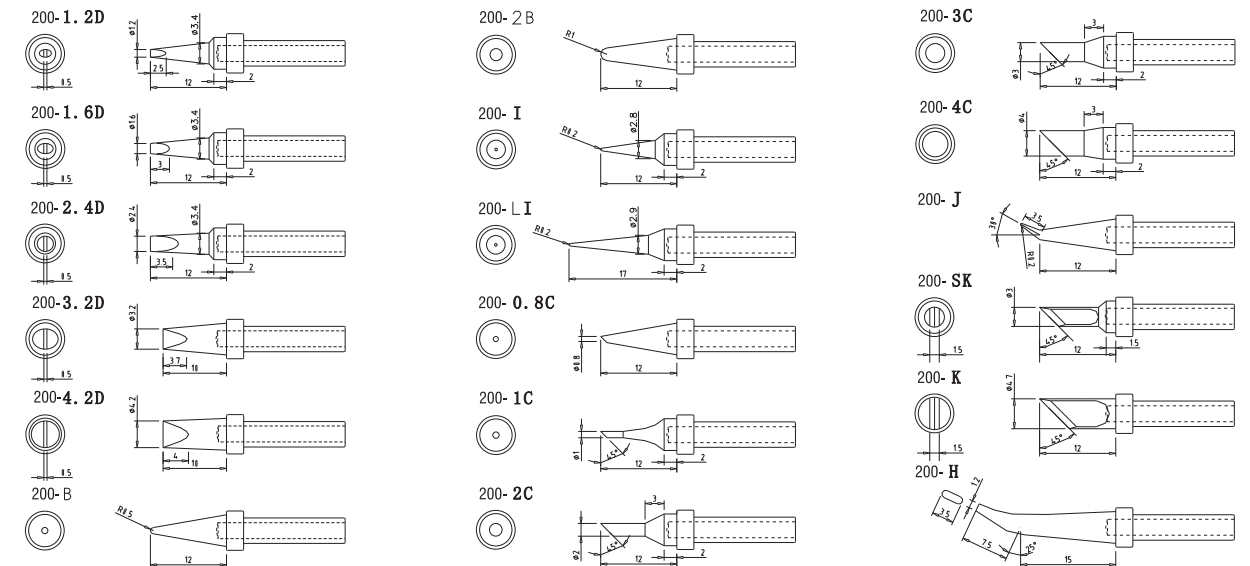
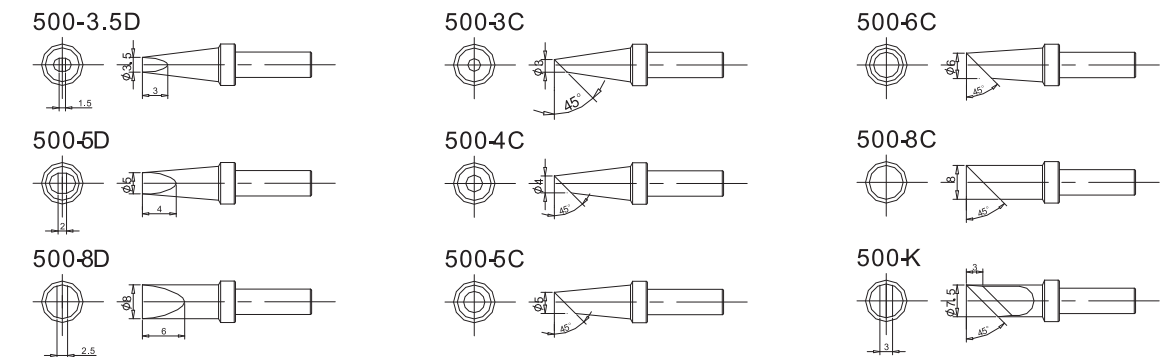
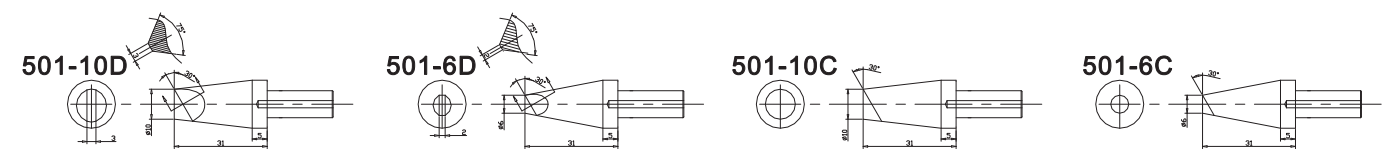
Resistance

Resolution	0.1Ω
Measuring Range	0-90Ω
Accuracy	±(1%+2 digits)

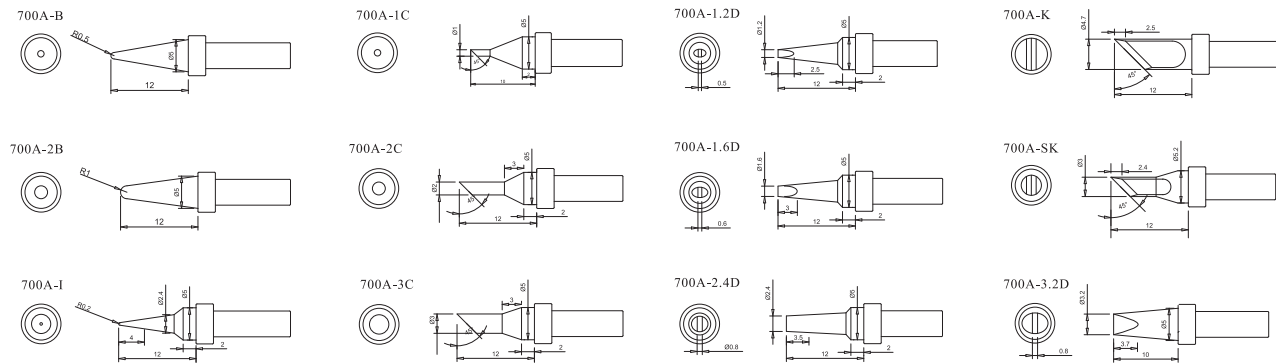
Display

LCD	3½ digits
Power Consumption	1 W
Dimensions	158(L)×150(W)×50(H)mm
Weight	About 1.0kg
Environment Conditions	0-40°C, 0-80%RH

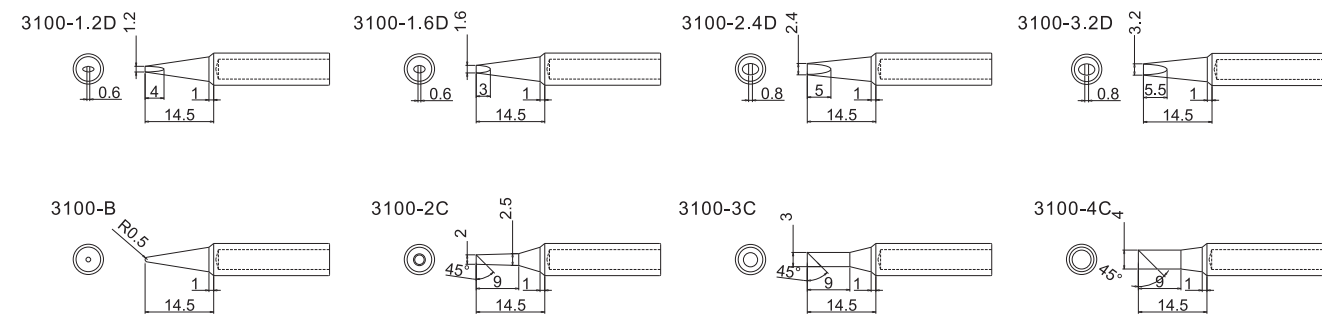


▲ Tips for QUICK303/202/202D

▲ Tips for QUICK303D

▲ Tips for QUICK203/203H/204/204H/203D/376(I)/376D(I)

▲ Tips for QUICK203G

▲ Tips for QUICK206B


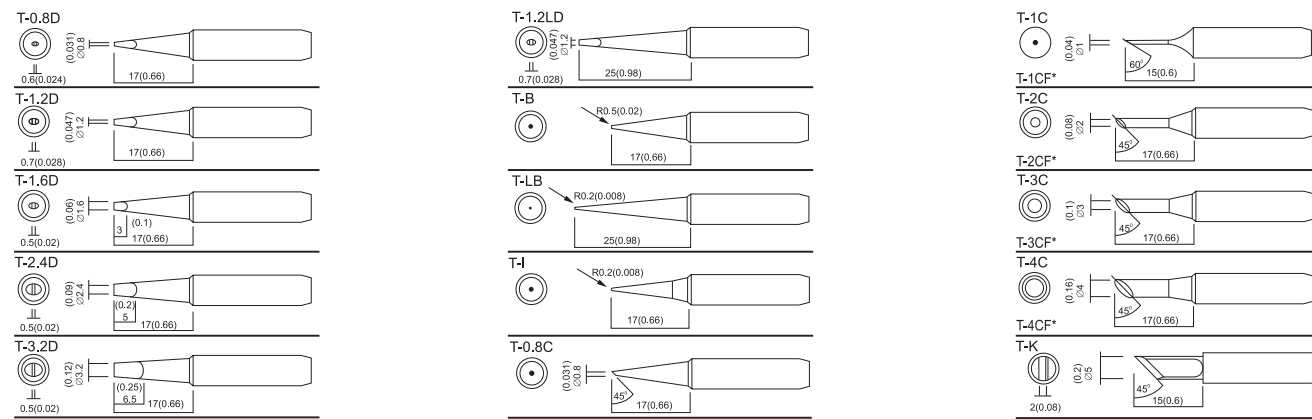
▲ **Tips for QUICK3202 713**



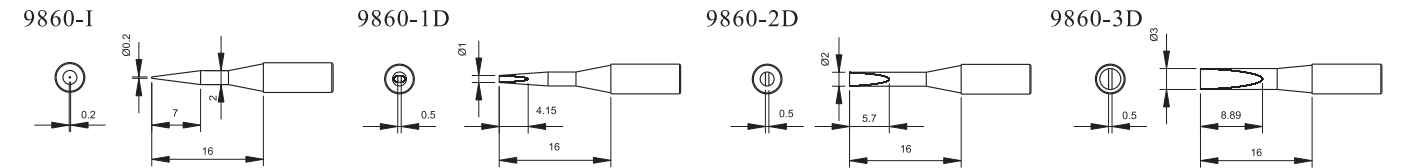
▲ **Tips for QUICK3100 Series**



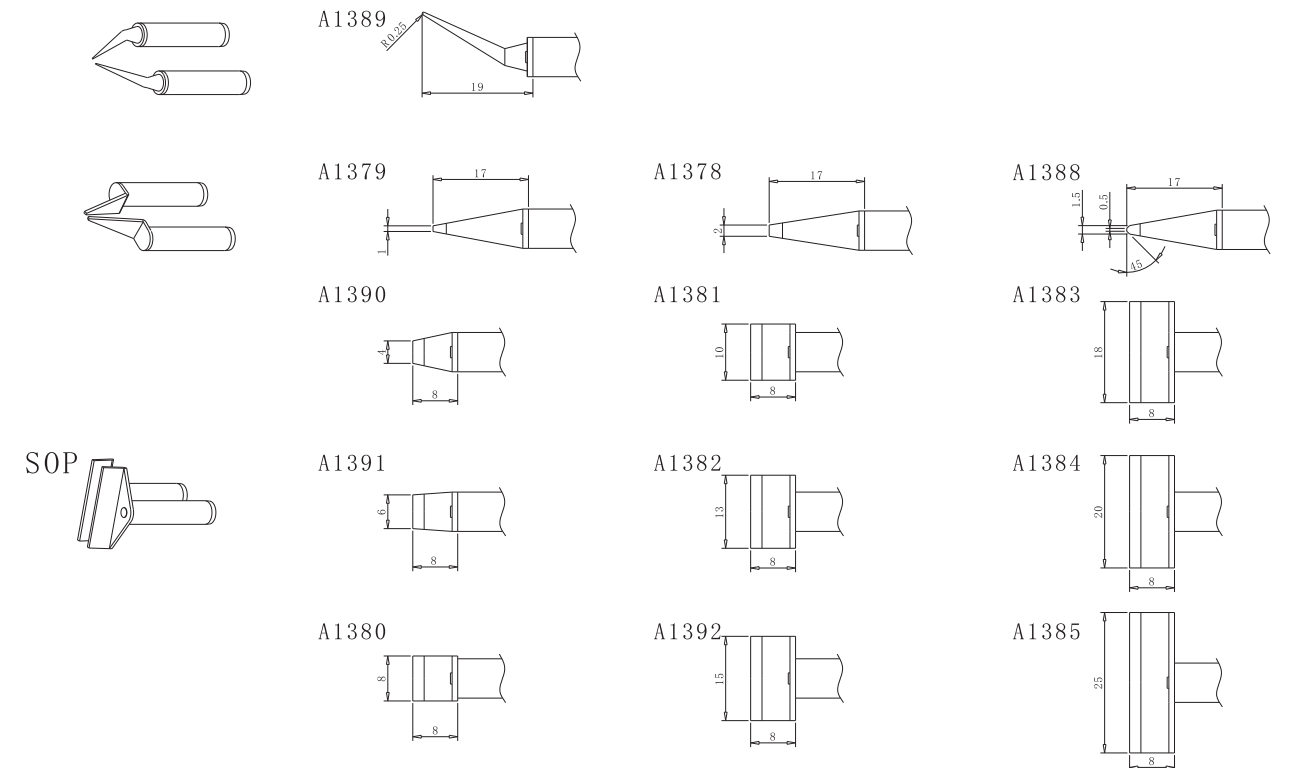
▲ **Tips for QUICK236 969 967 375A+ 375B+**



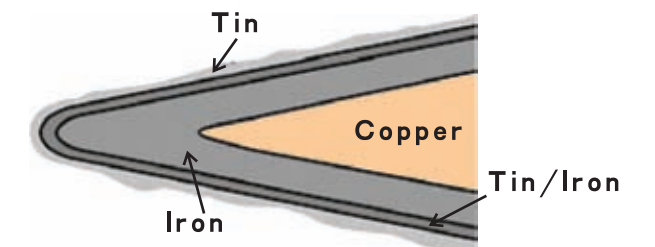
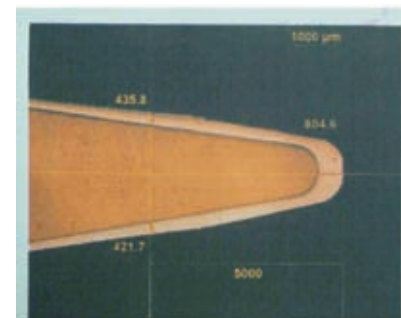
▲ **Tips for QUICK986 3112**



▲ **Tips for QUICK989**



Tip Cross-Section



FUME EXTRACTOR

QUICK/6101

Features:

- Integrative structure design, easy installation, agile movement, no need to lay any pipelines.
- Large-power brushless DC fan generates large air flow.
- Low noise.
- Tripple-filter design, remove hazardous substances from fume to ensure body safety. Pre- filter and main filter can be replaced separately to make full use of filters and cut down cost.
- Built-in air cycling filtering system, avoid discharging the cool/hot air outside.
- Both air flow and arms are adjustable.

Specifications :

Static Pressure	2200 Pa
Airflow	200m3/h
System Flow(including filter mechanism)	160 m3/h
Filtering Efficiency	0.3µm 99.97%
Power	80W
Noise	≤55dB
Voltage	220V AC
Dimensions	400(L)×230(W)×350(H)mm
Qty of Arms	1
Weight	About 7.8kg



QUICK/6102

Features:

- Integrative structure design, easy installation, agile movement, no need to lay any pipelines.
- Large-power brushless DC fan generates large air flow.
- Low noise.
- Tripple-filter design, remove hazardous substances from fume to ensure body safety. Pre- filter and main filter can be replaced separately to make full use of filters and cut down cost.
- Built-in air cycling filtering system, avoid discharging the cool/hot air outside.
- Two-in-one design, both air flow and arms are adjustable.

Specifications :

Static Pressure	2200 Pa
Airflow	320 m3/h
System Flow(including filter mechanism)	2×100 m3/h
Filtering Efficiency	0.3µm 99.97%
Power	120W
Noise	≤55dB
Voltage	220V AC
Dimensions	470(L)×230(W)×500(H)mm
Qty of Arms	2
Weight	About 15.5kg



FUME EXTRACTOR SERIES

FILTERS FOR FUME EXTRACTOR



SMOKE ABSORBER

QUICK/493

Features:

- Remove noxious fumes quickly, safely and efficiently.
- Angle can be adjusted at will and easy to place and move, low noise and long lifetime fan.
- High absorption replaceable filter which is made of special urethane foam and premium activated carbon.
- Regular and ESD safe two types.

Specifications :

Power Consumption	14W(60Hz) 16W(50Hz)
Absorption Capacity	About 0.93/1.07 /min
Outer Dimensions	167(L)×101(W)×182(H)mm
Weight	About 1.5kg
Accessories	Filter(3PCS)



QUICK/493A

Features:

- Remove noxious fumes quickly, safely and efficiently.
- Angle can be adjusted at will and easy to place and move, low noise and long lifetime fan.
- High absorption replaceable filter which is made of special urethane foam and premium activated carbon.
- Regular and ESD safe two types.
- Table clamping type.

Specifications :

Power Consumption	14W(60Hz) 16W(50Hz)
Absorption Capacity	About 0.93/1.07 /min
Outer Dimensions	167(L)×101(W)×182(H)mm
Accessories	Filter(3PCS)



6101/6102 ACCESSORIES

PART NO	PICTURES	NOTE
KHRR105-75		1. Round absorber hole 2. ESD safe 3. Heat resistant 4. ϕ 125mm absorber hole 5. Suitable for the ϕ 75mm fume hose
KHRR105-50		1. Round absorber hole 2. ESD safe 3. Heat resistant 4. ϕ 105mm absorber hole 5. Suitable for the ϕ 50mm fume hose
KHM1		1. Square absorber cover 2. Heat resistant(stainless steel) 3. Size: 150 \times 150 \times 100(H)mm 4. Suitable for the ϕ 75mm fume hose (KAP75)
KHM2		1. Square absorber cover 2. Heat resistant(stainless steel) 3. Size: 180 \times 180 \times 100(H)mm 4. Suitable for ϕ 75mm fume hose (KAP75)
KHY1		1. Square absorber cover 2. Transparent(Acryl cover) 3. Size : 200 \times 200 \times 100mm(H) 4. Suitable for the ϕ 50mm fume hose
KHY2		1. Square absorber cover 2. Transparent(Acryl cover) 3. Size: 250 \times 220 \times 150mm(H) 4. Suitable for ϕ 50mm fume hose
KAP75-80		1. Directional air hose, 80cm length, 75mm in diameter 2. Used with the bench clamp
KAP75-150		1. Directional air hose, 150cm length, 75mm in diameter 2. Connecting to the main unit directly, absorber hole can connect to KHRR125-75
KAV50-80		1. Circle directional air hose, 80cm length, 50mm in diameter 2. Used with the bench clamp
KAP50-80		1. Directional air hose, 80cm in length, 50mm in diameter 2. Used with the bench clamp

FUME EXTRACTOR SERIES

PART NO	PICTURES	NOTE
KAP50-120		1. Directional air hose, 120cm length, 50mm in diameter 2. Connect to the main unit directly, absorber hole can connect to KHRR105-50
KAS50-70		1. Metal directional air hose, 70cm in length, 50mm in diameter, with a taper absorber hole 2. 50mm diameter 3. Used with the bench clamp
KAA4		1. Four-section straight fume hose with three joints 2. The length of the first section is 250mm, then 430mm, then 450mm, then 550mm. 3. Used with the bench clamp
KAA3		1. Three-section straight fume hose with two joints 2. The length of the first section is 250mm, then 450mm, then 380mm. 3. Can use the round absorber hole KHRR105-50. 4. Used with the bench clamp
KCC75-75		1. Bench clamp for fume hose, can connect to the ϕ 75mm directional air hose above 2. Connect to ϕ 75mm soft connecting hose underside
KCC50-75		1. Bench clamp for fume hose, can connect to the ϕ 50mm fume hose above 2. Connect to ϕ 75mm soft connecting hose underside
KCC50-50		1. Bench clamp for fume hose, can connect the ϕ 50mm fume hose 2. Connect ϕ 50mm soft connecting hose underside
KCD75-75		1. When table is drilled, assemble KCD75-75, connect to ϕ 75mm fume hose 2. Connect to ϕ 75mm soft connecting hose underside
kCD50-50		1. When the table is drilled, connect to ϕ 50mm fume hose above 2. Connect to ϕ 50mm soft connecting hose underside
KCN75-75		1. The total length is 1m. 2. Connect one end to the main unit 3. Connect the other end to either the bench clamp or ϕ 75mm absorber cover
KCN50-75		1. The total length is 1M. 2. Connect one end to the main unit 3. Connect the other end to either the bench clamp or ϕ 50mm absorber cover

BGA REWORK SYSTEM



BGA2100



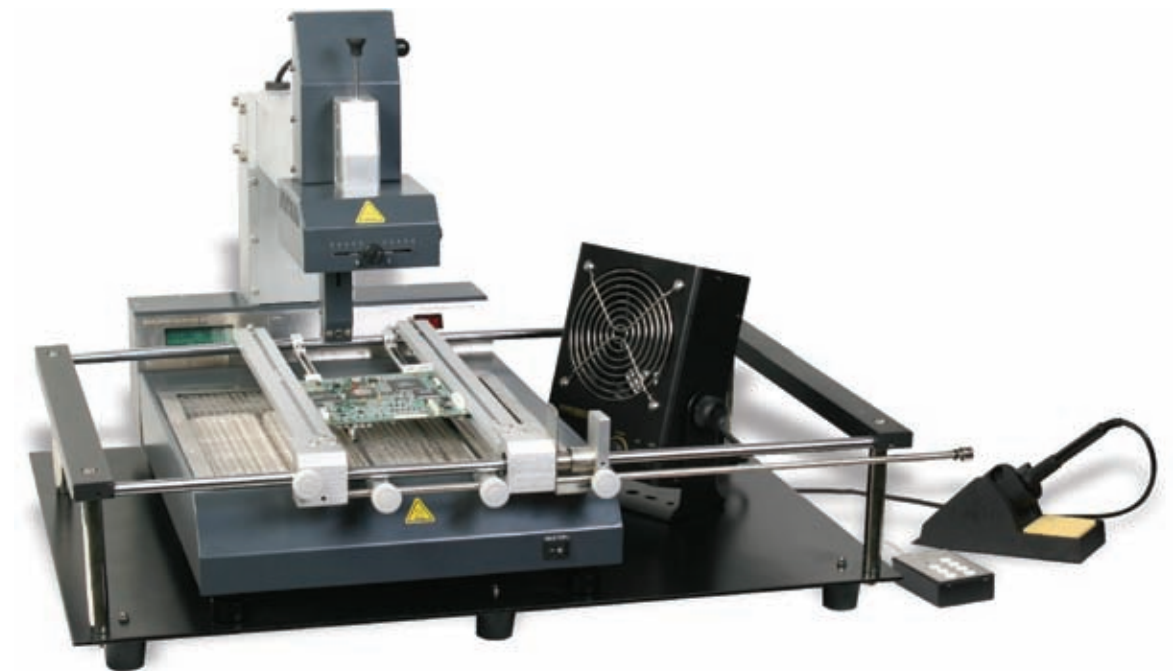
BGA2120



BGA2015



BGA2105



1760

● Check website at www.quick-global.com for more information

LEAD FREE REWORK STATION

QUICK/861DW QUICK/861DE

Features:

- Three regular channels "CH1", "CH2" and "CH3", each channel's parameters including temperature and airflow can be set.
- Password protection and key-lock functions.
- Real time operation by the magnetic switch, enter sleeping state when the handle is placed on holder.
- Auto sleep function, parameters can be set in sleeping state.
- Closed loop sensor, temperature can be controlled by zero voltage triggering mode and adjusted conveniently, accurate and stable, not affected by airflow. Large power, rapid heating.
- A multipurpose unit, with brushless whirlpool motor, wide range and stepless adjustable airflow.
- An automatic cooling system can prolong the life time of heating element and protect the handle.

Specifications:

Model	QUICK861DW	QUICK861DE
Power	1000W	1200W
Voltage	AC 220V	
Temperature Range	100°C -500°C	
Airflow Range	1-120	6-200
Max Airflow	120L/min	200L/min
Size(L×D×H)	188(L)×245(D)×135(H)mm	
Weight	3.65kg	



QUICK/856AE QUICK/856AX

Features:

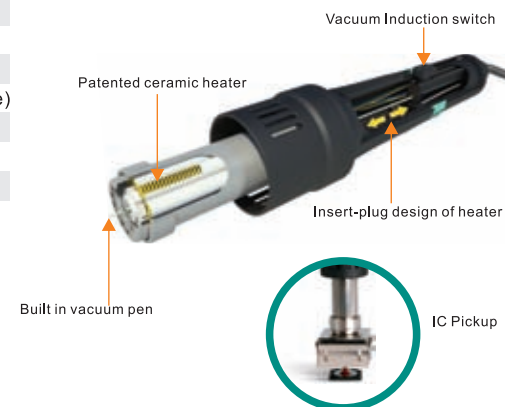
- Three channels CH1, CH2 and CH3, parameters of each channel like time, air volume and temperature can be preset, can be changed in channel C0.
- Password protection and button lock function available, prevent menu from being changed at will.
- Easy real-time operation, auto sleeping function available, parameters can be set in sleeping status.
- Closed loop sensor, temperature controlled by micro computer zero trigger, large power, rapid temperature rising, temperature can be easily and accurately adjusted, not affected by airflow.
- Brushless fan, wide range of airflow adjustable, suitable for many applications.
- Auto cooling function available, long lifetime ceramic heater.

Specifications:

Power	1200W
Voltage	AC 220V
Temperature Range	100°C -500°C
Working Time	1-999s ("---" means not influenced by time, work all the time)
Airflow Range	6-200class
Maximal Airflow	200L/min
Size(L×D×H)	250(L)×230(D)×150(H)mm
Weight	3.80kg



- QUICK856AX with suction pen available



PROGRAMMABLE REWORK STATION

QUICK/855PG

Features:

- Only 10s needed to de-solder IC.
- Password can be set to protect menu from inadvertent changes.
- Key-lock function, protect parameters from inadvertent changes.
- Excellent de-soldering efficiency and speed. The whole process includes six programming phases, in which process parameters can be set as per requirements.
- 10 program channels available.
- With vacuum suction pen, easy to use.
- Large LCD display shows temperature, air volume, working time etc.
- Digital temperature calibration, easy and convenient.
- Magnetic switch and pedal switch available; easy to use.
- Accurate temperature, closed-loop temperature control ensures temperature stability up to $\pm 2^\circ\text{C}$.
- Auto sleeping, energy-efficient. Auto cooling function can prolong the lifetime of the heating element and protect the unit.
- Working time can be set from 1-999s.

Specifications:

Power	1300W
Temperature Range	100°C -500°C
Air Volume	From 6-200 class; Can set freely
Program Phase	Six phases
Vacuum Suction Force	0.03MP
Channel Quantity	Ten
Dimensions	250(L)×230(W)×150(H)mm
Weight	About 4.45kg



PREHEATER

QUICK/855T+

Features:

- Infrared ceramic heater, rapid heating, high efficiency, long lifetime.
- Temperature controlled by K type thermocouple, closed loop with zero voltage heater switching, digital display, easy operation.
- Can be used with QUICK855PG for maintenance of SMD and BGA.
- The arm can move easily and conveniently, easy operation.
- Parts which need preheating can be placed on the stainless steel or fixture (assembled in addition).
- Two switches control power and heating separately. The temperature of the plate can also be read even in unheating status.
- Built-in thermometer, temperature of PCB can be easily tested.
- Can control external cooling fan.

Specifications:

Heating Power	1600W
Heating Area	260×260mm
Material of Heater	Ceramic
Temperature Sensor	K type Thermocouple
Temperature Range	50°C -350°C
Temperature Stability	$\pm 1^\circ\text{C}$
Ambient Temperature	0°C -40°C
Measurement Range of Thermocouple	Room temperature~600°C
Accuracy	$\pm 8^\circ\text{C}$
Weight	About 13.3kg



REWORK SYSTEM

QUICK/712

Features:

- Password lock function, with auto sleeping/shutoff function.
- Digital temperature calibration, easy operation.
- Brushless fan, adjustable, stepless and wide range of air volume, suitable for various occasions.

Specifications:

Soldering part:

Power Consumption	90W
Temperature Range	50°C - 500°C
Sleeping Temperature Range	50°C -250°C
Sleeping Time Range	0-250min
Temperature Stability	±2°C (stationary air, no load)
Max Ambient Temperature	40°C
Tip to Ground Resistance	< 2Ω

Hot air part:

Power Consumption	1000W
Temperature Range	100°C - 500°C
Air volume	1-120L/min
Max Ambient Temperature	40°C
Temperature Stability	±2°C (stationary air, no load)



QUICK/713

Features:

- Password lock function, with auto sleeping/shutoff function.
- Digital temperature calibration, easy operation.
- Suction pen inside hot air handle, convenient for using.
- Brushless fan, adjustable, stepless and wide range of air volume, suitable for various occasions.
- Built-in vacuum pump, powerful suction, no need of external vacuum system.

Specifications:

Soldering part:

Power Consumption	90W
Temperature Range	200°C - 480°C
Sleeping Temperature Range	50°C -250°C
Sleeping Time Range	1-150min
Temperature Stability	±2°C (stationary air, no load)
Ambient Temperature (Max)	40°C
Tip to Ground Resistance	< 2Ω

Hot air part:

Power Consumption	1000W
Temperature Range	100°C - 500°C
Air volume	1-120L/min
Ambient Temperature (Max)	40°C
Temperature Stability	±2°C (stationary air, no load)

De-soldering part:

Heating Power	90W
Nozzle Temperature	200°C - 480°C
Pump	Diaphragm
Vacuum Pressure	600mmHG
Sleeping Time Range	1-150min



REWORK EQUIPMENT SERIES

REWORK SYSTEM

QUICK/702

Features:

- Can meet various soldering requirements.
- Three-in-one design, featuring total rework functions, compact structure and each independent function.
- ESD safe by design.

Specifications:

Power Consumption	520W
Dimensions	335(L)×253(W)×160(H)mm
Weight	About 13.3kg

Soldering part:

Output Voltage	24V AC
Temperature Range	200°C -480°C
Temperature Stability	±1°C (stationary air, no load)

Hot air part:

Output Voltage	220V AC
Air Pump	diaphragm
Air Volume	≤24L/min
Temperature Range	150°C -500°C

De-soldering part:

Output Voltage	36V AC
Pump	diaphragm
Vacuum	600 mmHg
Inhalation	15L/min
Temperature Range	320°C -480°C



QUICK/704

Features:

- Can meet various soldering requirements.
- Two-in-one design, featuring total rework functions, compact structure and each independent function.
- ESD safe by design.

Specifications:

Power Consumption	380W
Dimensions	252(L)×225(W)×155(H)mm
Weight	About 7.2kg

Soldering part:

Output Voltage	24V AC
Temperature Range	200°C-480°C
Temperature Stability	±1°C (stationary air, no load)

Hot air part:

Output Voltage	220V AC
Pump	diaphragm
Air Volume	≤24L/min
Temperature Range	150°C -500°C



Nozzles for QUICK856AX/AE 861DW /DE QUICK712/713

mm (inch)

NOZZLES NOTE
The size in Name/Specification indicates the size of IC package

NOZZLES	QFP	SOP	PLCC	SOJ	BGA
NK3125 QFP 10×10 (0.39×0.39)	NK3126 QFP 14×14 (0.55×0.55)	NK3127 QFP 17.5×17.5 (0.68×0.68)	NK3128 QFP 14×20 (0.55×0.78)	NK3129 QFP 28×28 (1.1×1.1)	NK3131 SOP 4.4 ×100.17×0.39
NK3132 SOP 5.6 ×180.22×0.51	NK3133 SOP 7.5 ×160.3×0.59	NK3134 SOP 7.5 ×180.3×0.7	NK3135 PLCC 17.5×17.5 (0.68×0.68) (44 Pins)	NK3136 PLCC 20×20 (0.78×0.78) (52 Pins)	NK3137 PLCC 25×25 (0.98×0.98) (68 Pins)
NK3138 PLCC 30×30 (1.18×1.18) (84 Pins)	NK3139 PLCC 12.5×7.3 (0.49×0.29) (84 Pins)	NK3140 PLCC 11.5×11.5 (0.45×0.45) (28 Pins)	NK3141 PLCC 11.5×14 (0.45×0.55) (32 Pins)	NK180 BQFP 17×17 (0.67×0.67)	NK3181 BQFP 19×19 (0.75×0.75)
NK3182 BQFP 24×24 (0.94×0.94)	NK3183 SOJ 15×8 (0.59×0.31)	NK3184 SOJ 18×8 (0.71×0.31)	NK3185 TSOJ 13×10 (0.51×0.39)	NK3186 TSOJ 18×10 (0.71×0.39)	NK3187 TSOJ 18.5×8 (0.73×0.31)
NK3188 PLCC 9×9 (0.35×0.35) (20 Pins)	NK3189 PLCC 34×34 (1.34×1.34) (100 Pins)	NK3191 SIP 25L (0.98)	NK3192 SIP 50L (1.97)	NK3203 QFP 35×35 (1.38×1.38)	NK3214 SOJ 10×26 (0.39×1.02)
NK3215 QFP 42.5×42.5 (1.67×1.67)	NK3257 SOP 11×21 (0.43×0.83)	NK3258 SOP 7.6×12.7 (0.3×0.5)	NK3259 SOP 13×28 (0.51×1.1)	NK3260 SOP 8.6×18 (0.34×0.71)	NK3261 QFP 20×20 (0.78×0.78)
NK3262 QFP 12×12 (0.47×0.47)	NK3263 QFP 28×40 (1.1×1.57)	NK3264 QFP 40×40 (1.57×1.57)	NK2064 Single ø6.4 (0.25)	NK2084 Single ø8.4 (0.33)	NK2127 Single ø12.7 (0.5)
NK1120 Single ø4 (0.16)	NK1124 Single ø2.5 (0.09)	NK1130 Single ø4.4 (0.17)	NK2280 BGA 24×24 (0.94×0.94)	NK2281 BGA 26×26 (1.02×1.02)	NK2282 BGA 31×31 (1.22×1.22)
NK2283 BGA 38×38 (1.5×1.5)	NK2284 BGA 41×41 (1.6×1.6)	NK2285 BGA 44×44 (1.7×1.7)	NK2286 BGA 15×15 (0.6×0.6)		

Nozzles for QUICK855PG/702/704

NOZZLES NOTE
The size in Name/Specification indicates the size of IC package

NOZZLES	QFP	SOP	PLCC	SOJ	BGA
A1125 QFP 10×10 (0.39×0.39)	A1126 QFP 14×14 (0.55×0.55)	A1127 QFP 17.5×17.5 (0.68×0.68)	A1128 QFP 14×20 (0.55×0.78)	A1129 QFP 28×28 (1.1×1.1)	A1135 PLCC 17.5×17.5 (0.68×0.68) (44 Pins)
A1136 PLCC 20×20 (0.78×0.78) (52 Pins)	A1137 PLCC 25×25 (0.98×0.98) (68 Pins)	A1138 PLCC 30×30 (1.18×1.18) (84 Pins)	A1139 PLCC 12.5×7.3 (0.49×0.29) (84 Pins)	A1140 PLCC 11.5×11.5 (0.45×0.45) (28 Pins)	A1141 PLCC 11.5×14 (0.45×0.55) (32 Pins)
A1180 BQFP 17×17 (0.67×0.67)	A1181 BQFP 19×19 (0.75×0.75)	A1182 BQFP 24×24 (0.94×0.94)	A1184 SOJ 18×8 (0.71×0.31)	A1185 TSOJ 13×10 (0.51×0.39)	A1186 TSOJ 18×10 (0.71×0.39)
A1187 SOP 18.5×8 (0.73×0.31)	A1188 PLCC 9×9 (0.35×0.35) (20 Pins)	A1214 SOJ 10×26 (0.39×1.02)	A1257 SOP 11×21 (0.43×0.83)	A1258 SOP 7.6×12.7 (0.3×0.5)	A1259 SOP 13×28 (0.51×1.1)
A1260 SOP 8.6×18 (0.34×0.71)	A1261 QFP 20×20 (0.78×0.78)	A1262 QFP 12×12 (0.47×0.47)	A1183 SOJ 15×8 (0.59×0.31)	A1264 QFP 40×40 (1.57×1.57)	A1265 QFP 32×32 (1.26×1.26)
A1263 QFP 28×40 (1.1×1.57)	A1131 SOP 4.4×10 (0.17×0.39)	A1132 SOP 5.6×13 (0.22×0.51)	A1133 SOP 7.5×15 (0.3×0.59)	A1134 SOP 7.5×18 (0.3×0.7)	A1189 PLCC 34×34 (1.34×1.34) (100 Pins)
A1203 QFP 35×35 (1.38×1.38)	A1215 QFP 42.5×42.5 (1.67×1.67)	A1191 SIP 25L (0.98)	A1192 SIP 50L (1.97)	A1121 Single ø6.4 (0.25)	A1300 Single ø8.4 (0.33)
A1301 Single ø12.7 (0.5)	A1280 BGA24×24 (0.94×0.94)	A1281 BGA26×26 (1.02×1.02)	A1282 BGA31×31 (1.22×1.22)	A1283 BGA38×38 (1.5×1.5)	A1284 BGA41×41 (1.6×1.6)
A1285 BGA44×44 (1.7×1.7)	A1286 BGA15×15 (0.6×0.6)				

● Nozzles for different ICs like QFP, PLCC, BGA etc can be customized.

QUICK/860D LEAD FREE REWORK STATION
Features:

- Closed loop sensor, zero triggering, micro computer controls temperature, LED display, Fast heating, precise and stable temperature not affected by air volume.
- Induction switch inside the handle. The unit will start working as soon as the handle is picked up and enter standby status as soon as the handle is placed on the holder. Easy for real-time operating.
- Digital temperature calibration, easy operation.
- Cooling air function available can prolong the lifetime of the heater and protect the unit.

Specifications:

Power Consumption	120W
Display	LED(resolution 1℃)
Pump	diaphragm
Air Volume	0.3-6.8L/min, stepless
Temperature Range	100℃-450℃
Heating Mode	ceramic heater
Dimensions	100(W)×210(L)×135(H)mm
Weight	About 2.6kg
Noise	60dB


QUICK/885 HOT AIR GUN
Features:

- Closed loop of sensor, temperature controlled by micro-computer zero voltage triggering, accurate and stable, not affected by air volume.
- LCD display, large power, rapid heating.
- Two steps of hot air volume, wide range of temperature, digital adjustment.
- Cold air step can prolong the lifetime of the heater and protect the unit.
- Applications: heat shrinkage, paint removal, defrostation, preheating, sterilizing copper soldering, tin melting etc.

Specifications:

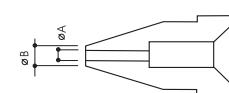
Power Consumption	2100W(max)
Temperature Range	50℃-650℃
Air Volume	180L/min(I step, cold air) 200L/min(II step, hot air) 400L/min(III step, hot air)
Indicator	LCD
Resolution	±1℃
Noise	≤70dB
Weight	About 1.25kg


QUICK/201B DESOLDERING TOOL
Features:

- ESD safe by design.
- Powerful built-in vacuum pump.
- Precise temperature controlled by closed-loop sensor.
- 36V low voltage heater, fully isolated, safe and reliable.
- Digital temperature calibration.
- Specially designed suction nozzle and auto sleep function heater, even melting solder can be absorbed into filter, no need of frequent maintenance, high efficiency.
- Lead free soldering main unit, use lead free de-soldering gun to achieve lead free de-soldering.

Specifications:

Pump Power	12V/2A
Heating Power	90W
Temperature Range	200℃-450℃
Pump	Diaphragm
Vacuum Pressure	600mmHg
Tip to Ground Potential	<2mV
Tip to Ground Resistance	<2Ω
Dimensions	105(L)×250(W)×165(H)mm
Weight	About 4.0kg


Replaceable nozzles:


P/N	φA(mm)	φB(mm)
A1004	0.8	2.3
A1005	1.0	2.5
A1006	1.3	3.0

VACUUM PICK-UP
QUICK/382A
Features:

- Easy to pick-up and place chips, resistors, capacitors and various round and micro components.
- Built-in pump, the powerful suction force can reach to 120g.
- ESD safe by design.
- Suction nozzles and pads can be used together and interchangeable.

Specifications:

Power	10 W
Pump	Diaphragm
Max Suction	0.03M Pa
Suction Pad	Conducting silicon rubber
Dimensions	185(L)×157(W)×105(H)mm
Weight	About 2.5kg

Accessories:

Suction Pen	123(L)×10(external diameter)
Soft Hose	1100(L)×6(external diameter)
Straight Suction Nozzle	0.7mm, 1.45mm(Inner Diameter)
Bent Suction Nozzle	0.7mm, 1.45mm(Inner Diameter)
Suction Pad	6mm, 7mm, 8mm, 10mm(Diameter)


QUICK/381
Features:

- ESD safe by design, no damage to sensitive components.
- Scientifically design of suction pen, light structure.
- Vacuum suction stepless adjustable, single suction pen, powerful suction force can reach to 120g.
- Can control the pick-up and placing of chips accurately and effectively, avoid shaking when placing.
- Pedal switch control, save energy.
- Suction nozzles and pads can be used together and interchangeable.

Specifications:

Power	7W
Pump	Diaphragm
Max Suction	0.03M Pa
Suction Pad	Conducting silicon rubber
Dimensions	130(L)×160(W)×110(H)mm
Weight	About 1.55kg

Accessories:

Straight Suction Nozzle	0.7mm, 1.45mm(Inner diameter)
Bent Suction Nozzle	0.7mm, 1.45mm(Inner diameter)
Suction Pad	6mm, 7mm, 8mm, 10mm(diameter)



PREHEATER
QUICK/853
Features:

- Rapid heating, only 10s to reach 250°C .
- Built-in temperature sensor, stable output temperature.
- Cool or hot air can be selected to preheat or cool chips.
- Can be used with rework stations to process BGA or other flake ICs.

Specifications :

Power	460 W
Temperature Range	120°C -250°C
Air Volume	0.18m3/min
Dimensions	100(L)×60(W)×170(H)mm
Weight	About 1.0kg (including power cord)


INFRARED PREHEATER
QUICK/854
Features:

- Imported infrared ceramic heater, fast heating, high efficiency, long life time.
- Built-in thermometer, can check temperature of PCB conveniently.
- Closed loop of sensor, PID control, temperature accurate and stable.
- Suitable for PCB preheating and other process which requires whole and even heating.
- ESD Safe by design.

Specifications :

Power	400 W
Heating Area	130×130mm
Plate Material	Ceramic heater
Temperature Sensor	K-type thermocouple
Temperature Range	50°C -350°C
Range of Thermometer	0-600°C
Ambient Conditions	0-40°C
Temperature Stability	±1°C
Dimensions	255(L)×200(W)×63(H)mm
Weight	About 2.5kg


PRE-HEAT / REFLOW HOT PLATE
QUICK/870
Features:

- Special heater, surface temperature distributes evenly.
- Closed loop of sensor, PID control, precise and stable temperature.
- Two switches control power supply and heating separately. Actual temperature of the plate will also display even under unheated conditions, can avoid accidents.
- Suitable for PCB preheating and other process which requires whole and even heating.
- ESD Safe by design.

Specifications :

Power	800 W
Plate Area	180×200mm
Plate Material	Aluminum
Temperature Sensor	K-type thermocouple
Temperature Range	50°C -300°C
Ambient Conditions	0-40°C
Temperature Stability	±2°C
Dimensions	280(L)×290(W)×100(H)mm
Weight	About 5.8kg


REWORK FIXTURE
QUICK/800
Features:

- Combined working plate, easier for equipment maintenance.
- Heating upward and downward simultaneously, suitable for de-soldering BGA and other chips which need preheating.
- Adjustable as per different sizes of PCBs.
- Picking up and placing chips function can be selected as per requirements.

Specifications :

Dimensions of Bottom Board	350(L)×250(W)mm
Height	380mm
Fine Adjustment Height	60mm
Large PCB Holder(800L)	382(L)×300(W)×110(H)mm
Small PCB Holder(800S)	216(L)×180(W)×82(H)mm
Weight	About 5.6kg


Base Fixture

Small PCB Holder

STATIC ELIMINATOR

QUICK/443A QUICK/443B

Features:

- Compact size, light, portable design, adjustable angle.
- Quickly neutralizes static charges.
- Stable ion balance.
- Large area of ionizing air
- Speed of fan adjustable, can generate large-area ion stream.
- Plastic cover, good insulation.
- Filter mesh fixed by magnet, easy cleaning.

Specifications :

Model	QUICK443A	QUICK443B
Ion Balance	≤±10V	
Output Voltage	DC ±5000V	
Max Power Consumption	15W	
Ozone Production	≤0.03ppm (150mm from centre of air outlet)	
Effective Range	400×1500mm	
Air Volume	≤2.4m ³ /min	
Ambient Temperature	0°C-50°C	
Material of Cover	Plastic	Metal
Dimensions	135(L)×190(H)×75(W) mm	140(L)×190(H)×83(W) mm
Weight	About 1.25Kg	About 1.75Kg



QUICK/443C

Features:

- LED screen displaying ion balance, excellent ion balance and stability.
- Alarm range of ion balance can be set, sound and light alarm.
- Wide range of air volume, adjustable steplessly.
- Can be connected to PC by RS485 connector, easy control.
- Easy cleaning and replacing of emitter pin.
- Compact size, light, portable design, adjustable angle of fan.

Specifications :

Ion Balance	±5V
Output Voltage	DC ±5000V
Ozone Production	≤0.01ppm (150mm from the fan)
Effective Range	400×1500mm
Ambient Temperature	0°C-50°C
Dimensions	190(W)×95(D)×240(H)(W) mm
Weight	About 1.70Kg



STATIC ELIMINATOR

QUICK/440A QUICK/440D

Features:

- Compact size, light, portable design, adjustable angle.
- Quickly neutralizes static charges.
- Large area of ionizing air.
- Speed of fan adjustable, can generate large-area ion stream.
- Stable and adjustable ion balance.
- Long lifetime magnetic leakage transformer, can protect the unit from short circuit.
- Built-in emitter cleaner, easy cleaning.

Specifications :

Model	QUICK440A	QUICK440D
Power Consumption	30 Watt	
Output Voltage	AC 5.6KV	
Ion Balance	≤±10V	
Air Volume	≤2.4m ³ /min	
Effective Range	400×1500mm	
Ozone Production	≤0.03ppm(150mm from centre of air outlet)	
Noise	45dB	
Ambient Temperature	0°C-40°C	
Dimensions	140(L)×84(W)×220(H)mm	
Materials	Zron	Stainless steel
Weight	About 2.6 Kg	About 2.4 Kg



QUICK/441B

Specifications :

Power Consumption	35W
Output Voltage	AC 5.6KV
Ion Balance	Adjusted ≤ ±10V before delivery(300mm from the panel)
Air Volume	≤3.3m ³ /min (Adjustable)
Ozone Production	≤0.03ppm (150mm from center of the air outlet)
Operating conditions	0°C-50°C 60-70%RH
Effective Range	900×1800mm
Filter	Option
Dimensions	390(L)×210(W)×190(H)mm
Weight	About 7.9kg



HIGH-FREQUENCY STATIC ELIMINATOR

QUICK/436 **QUICK/439**

Features:

- Low noise.
- Compact design, light.
- Suitable for small working place.
- Portable design, easy operation.
- Adjustable airflow direction.
- Good and stable ion balance.
- High ion density, neutralize static charges rapidly.
- With ion and high-voltage indicator.
- Built-in small high-frequency transformer, avoid the high-voltage.

Specifications :

Model	QUICK436	QUICK439
Ion Generating Mode	High frequency	
Power Consumption	6W	4W
Ion Balance	≤50V(Adjusted within ±10V before delivery)	
Air Volume	1.6m ³ /min(Adjustable)	0.3m ³ /min(Adjustable)
Input Voltage	DC 24V	
Effective Range	300×600mm	200×400mm
Ambient Temperature	0℃-40℃	
Dimensions	104(L)×50(W)×140(H) mm	65(L)×30(W)×80(H) mm
Weight	About 620g	About 200g



SUSPENDED STATIC ELIMINATOR

QUICK/447

Features:

- Large area of ionizing air.
- Stable and adjustable ion balance.
- Suspended type, save space.

Specifications :

Power Consumption	36W
Output Voltage	DC ± 5KV- ±10KV
Ion Balance	±10V adjustable(450mm from the panel)
Air Volume	≤1.6m ³ /min
Ozone Production	≤ 0.03ppm (150mm from the centre of air outlet)
Operating Temperature	0-50℃
Effective Range	600×750mm
Filter	Optional
Dimensions	430(L)×170(W)×60(H)mm
Weight	About 3.0Kg



SUSPENDED STATIC ELIMINATOR

QUICK/442-2 **QUICK/442-3**

Features:

- Large area of ionizing air.
- Stable and adjustable ion balance.
- Suspended type, save space.

Specifications :

Model	QUICK442-2	QUICK442-3
Power Consumption	50W	80W
Output Voltage	AC 5.6KV	
Ion Balance	Adjusted ≤ ±15V before delivery(450mm from the panel)	
Air Volume	≤1.2-2.4m ³ /min	
Ozone Production	≤ 0.03ppm (150mm from the center of air outlet)	
Operating Temperature	0℃-50℃	
Effective Range	600×900mm	600×1600mm
Filter	Optional	
Dimensions	630(L)×170(W)×90(H)mm	1086(L)×170(W)×90(H)mm
Weight	About 7.0Kg	About 9.0Kg



HIGH-FREQUENCY IONIZING AIR GUN

QUICK/445S

Features:

- Neutralize static charges effectively.
- Low power supply, slight voltage fluctuation, no damage to products even use in close distance.
- High density groups of ions generated by high frequency, not easy to lose in pipeline transit.
- Compact design, low noise.

Specifications :

Input Voltage	DC 24V
Current	0.2A
Output High Voltage	High frequency 2000V
Frequency	60KHz
Max Input Pressure	0.7Mpa
Ion Balance	≤±10V
Ozone Production	≤0.03ppm

Time for Static Neutralizing:

Air Pressure	Distance	15cm	30cm	45cm	60cm				
0.2Mpa	Decay time(S)	0.6s	0.9s	0.9s	1.4s	1.3s	2.0s	1.9s	2.5s
	Ion balance(V)	-6V	-8V	-10V	-10V	-10V	-10V	-10V	-10V
0.4Mpa	Decay time(S)	0.5s	0.6s	0.6s	0.8s	0.8s	1.1s	1.1s	1.5s
	Ion balance(V)	-2V	-8V	-8V	-8V	-8V	-8V	-8V	-10V
0.6Mpa	Decay time(S)	0.4s	0.5s	0.5s	0.7s	0.8s	1.1s	1.0s	1.3s
	Ion balance(V)	-7V	-7V	-7V	-8V	-8V	-8V	-8V	-8V

Testing conditions: 62%RH, 22℃.



IONIZING AIR GUN + HIGH VOLTAGE POWER SUPPLY
QUICK/445D QUICK/446
Features:

- Compact design, easy operation.
- Neutralize static charges rapidly, remove fine sensitive components and materials easier.
- Built-in regulator of remnant voltage, adjust ion balance quickly and effectively
- Two ionizing air guns can be connected to QUICK446 high-voltage power supply at the same time.
- Purchase separately.

Specifications:

Frequency of QUICK446	50Hz/60Hz
Secondary Output Voltage	AC 4.0KV
Power Consumption	20W
Dimensions	165(L)×103(W)×115(H)mm
Weight	3.8Kg

Note:
Ambient conditions: About 0-50 , 60-70% RH.
Life expectancy: About 10000 hours (based on 8h/d, 250d/y, around 5 years).
Time for Static Neutralizing:

Pressure	Air flow	Decay time	Noise
0.2Mpa	0.06m ³ /min	1.2s	≤71dB
0.4Mpa	0.12 m ³ /min	0.6s	≤88dB
0.6Mpa	0.18 m ³ /min	0.4s	≤95dB
0.7Mpa	0.20 m ³ /min	0.3s	≤98dB

Note:
QUICK445: The length of high-voltage wire is 3M.
Testing distance: 15cm from the outlet of the air gun.

QUICK/445F QUICK/446F
Features:

- Ion balance: ±10V, neutralize static charges rapidly.
- Stable ion balance, adjust outside, easy operation.
- Built-in silencer, low noise.
- Capacitor coupling high voltage design, safe and reliable.
- Air volume of QUICK445F adjustable.
- Two ionizing guns can be connected to QUICK446F-II at the same time.

Specifications:

Supply Voltage	220V AC
Output High Voltage	7KV ⁰ -40%
Sub Short-Circuit Current	<3mA
Power	<30W

Note:
It take around 1s to neutralize the static voltage below 10v.
Test conditions: 300mm from the front panel, largest air volume.
Time for Static Neutralizing:

Air Pressure	Distance	15cm	30cm	45cm	60cm				
0.2Mpa	Decay time(S)	0.9s	1.0s	1.3s	1.4s	1.7s	2.1s	2.1s	2.9s
	Ion balance(V)	-1V	+5V	+6V	0V				
0.4Mpa	Decay time(S)	0.8s	1.0s	1.0s	1.3s	1.3s	2.0s	1.9s	2.5s
	Ion balance(V)	0V	+1V	+1V	0V				
0.6Mpa	Decay time(S)	0.8s	0.9s	1.0s	1.4s	1.4s	1.8s	1.5s	2.7s
	Ion balance(V)	-2V	-4V	+6V	-14V				

Note:
Ambient conditions: 22℃ , 60-70%RH, test as per ANSI/EOS/ESD-S3.1-1991 standard.
Under 0.7MPa, noise below 80dB.
Test time of neutralizing ion from 1000V to 10V and related ion balance voltage.

IONIZING AIR SNAKE + HIGH VOLTAGE POWER SUPPLY
QUICK/445E QUICK/446E
Features:

- Nozzle adjustable.
- Controlled by pedal switch, can control the airflow and output ion high voltage simultaneously.
- Built-in regulator of remnant voltage, adjust ion balance quickly and effectively.
- Save energy, prolong lifetime.
- Photoelectric switch optional.

Specifications:

Input Voltage	AC 220V
Secondary Output Voltage	AC 4.0KV
Power	20W
Dimensions	154(L)×148(W)×82(H)mm
Weight	Around 2.8kg

Note:
The standard length of QUICK445E snake tube is 600mm. It also can be customized as per requirements.
The length of QUICK445E high-voltage wire is 3M.
Time for Static Neutralizing:

Pressure	Air flow	Decay time	Noise
0.2Mpa	0.06m ³ /min	1.2s	≤71dB
0.4Mpa	0.12 m ³ /min	0.6s	≤88dB
0.6Mpa	0.18 m ³ /min	0.4s	≤95dB
0.7Mpa	0.20 m ³ /min	0.3s	≤98dB

Test distance: 15cm from the outlet of air gun.

IONIZING AIR SNAKE + HIGH VOLTAGE POWER SUPPLY
QUICK/445EF QUICK/446EF
Features:

- Stable ion balance, adjust outside, easy operation.
- Ion balance: ±10V, neutralize static charges rapidly.
- Built-in silencer, low noise, capacitor coupling high voltage design, safe and reliable.
- Photoelectric switch and pedal switch optional, can control the air flow and high voltage simultaneously.
- Table-clamping design of 445EF, can adjust the direction of air hose freely.
- Two ionizing air guns can be connected to QUICK446EF-II high-voltage power supply at the same time.

Specifications:

Air Requirements	Clean and dry air, 0.1-0.7MPa
Air Connector	6×8mm PU pipe
High-Voltage Input	7KVAC ⁰ -40% 50Hz
Effective Static Discharge Distance	Within 1000mm

QUICK446EF

High-Voltage Output	7KV ⁰ -40%
Sub Short-Circuit Current	<3mA
Power	<30W
Numbers of Load	1



photoelectric switch



pedal switch



photoelectric switch Fixing



QUICK446EF



QUICK446EF-II

IONIZING BAR + HIGH VOLTAGE POWER SUPPLY
QUICK/448 **QUICK/446B/C**
Features:

- Built-in intensive air tube, firm structure, nice and durable.
- The ion emitter is completely isolated from 7KV input voltage, no danger of electronic shock even use continually, safe and reliable.
- Built-in regulator of remnant voltage, adjust ion balance quickly and effectively.
- Suitable for large area of neutralizing applications, such as electronic, plastic, silk printing, pre-plating, pre-printing system, image processing and so on.

Specifications :
QUICK446B/C

Input Voltage	AC 220V
Secondary Output Voltage	AC 7.0KV
Power	20W
Dimensions	165(L)×103(W)×115(H)mm
Weight	Around 3.8kg

Note:

Ionizing bar which length is shorter than 1000mm should be used with QUICK446B high-voltage power supply.
 Ionizing bar which length is between 1000mm and 2000mm should be used with QUICK446C high-voltage power supply.

QUICK448

Voltage	AC 7KV
Ion Balance	≤±10V
Material of Case	Aluminum
Length	100-2000mm
Weight	1.5kg/m
Ozone Production	≤0.03ppm


NOZZLE-TYPE STATIC ELIMINATOR
QUICK/449
Features:

- Neutralize static charges effectively.
- Low voltage power supply, no need of high-voltage cable, no damage to products even use at close distance.
- High density groups of ions generated by high frequency, not easy to lose in pipeline transit.
- Different tubes available, suitable for hole application.
- Low noise.
- The unit will alarm if ion stream cannot be generated normally.

Specifications :

Input Voltage	DC 24V
Output Voltage	AC 2KV
Ion Balance	≤±10V
Ozone Production	≤0.03ppm
Weight	About 350g


STATIC FIELD METER
QUICK/431
Features:

- Four working modes available.
- Two measuring functions: a) Static measurement; b) Ion balance voltage measurement.
- Two potential measurement modes: a) Instantaneous value; b) Peak value
- Easy operation, test distance can be adjusted conveniently.
- Pocket design, easy to carry.

Specifications :

Power Supply	DC 9V battery
Display	LCD with cursor and range
Static Testing Range	Low range 0-±1.50KV, high range 1-±22.0KV(interchange automatically)
Ion Balance Testing Range	0 - ±220V
Standard Distance	25mm(±0.5mm)
Testing Accuracy	±(10%+1 digit)
Standby Current	<3u A
Working Current	<15mA
Ambient Conditions	0°C-50°C , <80%RH
Case	ESD design
Dimensions	125(L)mm×70(W)mm×25(H)mm
Weight	About 200g(including battery and ion balance testing board)

Applications:

- Measure charges of films and resin products.
- Measure charges of production lines.
- Measure charges of equipment surroundings.
- Measure ion balance of static eliminator.


QUICK/432
Features:

- Use non-contact sensor, high test resistance and precision, stable.
- Four working modes function, can be used as a voltmeter, parameters of four working modes can be set accordingly.
- With 'PASS' function, parameters of which can be set as per product requirements, the unit will alarm if test fails.
- With data recording function, can record 100 groups of data for further reference.
- Personality setting, select related functions as per requirements.
- Built-in chargeable battery, it can be used even no external power supply.
- Easy operation, convenient to carry.

Specifications :

Voltage Range	0-±1000V
Voltage Accuracy	±(5%+1 digit)
Time Accuracy	1%
Time Range	0-600s
External Power Supply	DC 12V 400mA
Built-in Chargeable Battery	8.4V(Li)
Display	LCD, screen size: 100mm×24mm
Standby Time	600s
Ambient Temperature	0°C-40°C
Relative Humidity	0 - 70%
Test Plate	152mm×152mm
Dimensions	152(L)×152(W)×225(H)mm
Weight	About 1.76kg

- Manufactured as per ESD-STM3.1-2000 and ABSU/EIS/ESD-S3.1-1991.



STATIC METER
QUICK/193
Features:

- Compact design, can be conveniently hanged on the wall to prevent the one with static charges entering the anti-static area.
- Can be used to check the static charges carried by human body or static potential differences between two persons.
- Can protect valuable equipments from the damage caused by static charge.

Specifications :

Accuracy	±5%
Ambient temperature	0°C-50°C
Power supply	9V battery
Battery Life	≥300 hours
Dimensions	145(L)mm×90(W)mm×33(H)mm
Weight	About 220g


COMBO TESTER
QUICK/492E
Features:

Test mode:

- Single test: Check the wearing status of wrist strap and footwear (single foot or two feet; foot ring, conducting shoes, anti-static shoes) separately.
- Comprehensive test: Check the wearing status of wrist strap and footwear (two feet, foot ring, conducting shoes, anti-static shoes) at the same time.
- Can be connected to the door control system with external wire to prevent the personnel from entering the anti-static places freely.
- Adopt 100V mini current testing; stable and accurate test.
- Low voltage alarm function: Alarm indicator will flash under the low battery.
- Footwear external measurement: 750K -1G .

Specifications :

Power Supply	9V battery or AC coupling adapter (12V DC)
Output	9 indicators, sound signal, touch-point output, low voltage alarm output
Touch-Point Switch Output	Voltage ≤400V (peak value, DC or AC)
	Switch current ≤130mA
	Touch-point resistance <30Ω
	Qualified testing: touch-point close
	Disqualified testing: touch-point disclose
Accuracy	Wrist strap ±10%
	Footwear ±10%(750KΩ) ±20%(100MΩ) ±30%(1GΩ)
Weight	About 12.0kg
Dimensions	160mm×100mm×40mm


SYSTEM TESTER
QUICK/498
Features:

- Can be used anywhere to check grounding systems quickly and easily, such as wrist strap, anti-static pad and grounding wire and so on.
- Ensure staff safety.
- Protect products from damage caused by static charge.
- Connect the grounding wire, press the plate, the green indicator will light and there will be buzzer if the ground system is good.

Specifications :

Indicator Status	Standard Impedance	Sound
Low(red)	R<750K	No
Good(green)	750KΩ≤R≤10MΩ	Yes
High(red)	R>10MΩ	No
Dimensions	110(L)×72(W)×40(H)mm	
Weight	About 0.6kg	


SURFACE RESISTANCE TESTER
QUICK/499
Features:

- Measure surface coefficient and grounding resistance of objects.
- Measure ESD and isolation materials.
- Use ASTM standard D-257 parallel electrode sensing method.
- Use high precision OP-AMP amplifier and LED.
- High sensitivity, reliable to use.
- Compact design, easy to carry.

Specifications :

Measurement Range	10 ³ -10 ¹² Ω
Accuracy	±10%
Dimensions	70(L)×27(W)×130(H)mm
Weight	About 0.14kg
Power Supply	9V battery



DOUBLE WRIST STRAP MONITOR

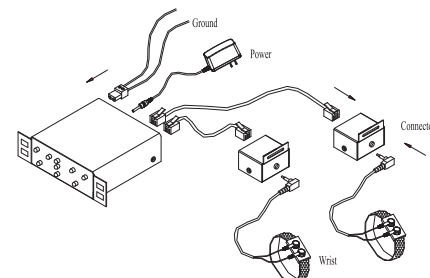
QUICK/494

Features:

- Can check if the grounding condition of the operator equipped with the wrist strap is well or not easily and conveniently.
- Through the real-time monitoring, the discharge of the static electricity from the human body can be eliminated, and the losses caused by the static electricity can be effectively minimized.
- Double-channel design, can check the body to ground resistance of two operators equipped with wrist strap simultaneously.
- Compact design, easy operation.

Specifications:

Input Voltage	DC 12V
Power Consumption	<2.4W
Alert Range of Low-touch Resistance	<1 M (Accuracy: ±20%)
Alert Range of High-touch Resistance	>10 M (Accuracy: ±20%)
Alert Range of Grounding Resistance	≥10K
Dimensions	150(L)×115(W)×40(H) mm
Weight	About 450g



Operational Diagram

DOUBLE WRIST STRAP MONITOR

QUICK/495

QUICK/495B

Features:

- Can monitor ESD wrist strap and grounding situation continuously, suitable for applications which require good anti-static status.
- Ensure static charges to be eliminated from human body by real-time monitoring, and decrease damage by static charge.
- Compact design, easy operation.

Specifications:

Input voltage	DC 6-12V
Working current	<50mA(DC 12V)
Dimensions	75(L)×46(W)×27(H)mm
Weight	About 50g (exclude accessories)
Power supply	DC 6-12V(inductive transformer)

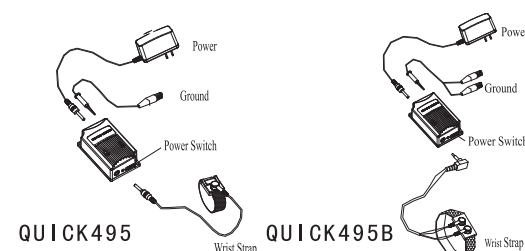
Note: Power supply is optional.

Test parameters of QUICK495B:

Standard resistance	Indicator status
675KΩ	Red(Fail)
825KΩ	Green(Pass)
9MΩ	Green(Pass)
11MΩ	Red(Fail)



Operational Diagram



QUICK495

QUICK495B

DISPENSING CONTROLLER

QUICK/982B

Features:

- Time of each injection controlled by timer, dispensing at regular time and quantity to ensure same glue quantity each time.
- Select right nozzles, set right injection time and pressure, each injection time and quantity can be changed.
- Can be used to inject liquid or paste, include red gel, yellow gel, epoxy resin, solder, silica gel, soldering fluid and etc.
- Pedal switch and manual control modes available, manual modes are more suitable for stand-up staff.
- Various barrels and nozzles are available.
- New automatic dispensing machine available.

Specifications:

Dispensing Modes	16 modes available
Dispensing Time	0.01S-99.99S adjustable
Time Interval	0.1S-9.9S adjustable
Repeat Stability	±0.05%
Inner Voltage	AC 24V
Min Injection Dosage	0.01ml
Input Air Pressure	0.25-0.7MPa(2.5-7kg)
Output Air Pressure	0.01-0.7MPa(1-7kg)
Dimensions	238(L)×150(W)×60(H)mm
Weight	About 1.7kg



ULTRASONIC CLEANER

QUICK/218

Features:

- Various applications, high efficiency, good cleaning effects.
- Ultrasonic wave principle, dirt can be easily removed.
- Applications: clean electroplating parts, clock parts, jewelry, eyeglass, spectacle frame, glassware and silicon chip or semi conductor etc.

Specifications:

Model	QUICK218-35	QUICK218-100
Power Consumption	35 W	100 W
Frequency	40K Hz	
Capacity	165(L)×87(W)×45(H) mm	225(L)×135(W)×100(H) mm
Dimensions	226(L)×117(W)×103(H) mm	265(L)×160(W)×245(H) mm
Power Supply	220V/50Hz	
Weight	About 1.0kg	About 3.0kg



LEAD FREE SOLDER POT

QUICK/100-4C **QUICK/100-6C**

Features:

- Closed-loop sensor controls temperature, zero triggering without polluting the operating voltage.
- Adopts anti-erosion and heat resistant alloy materials; long lifetime; suitable for lead free applications.
- Small capacity design, more suitable for small and medium-sized connectors.

Specifications:

Model	QUICK100-4C	QUICK100-6C
Max Power Consumption	200W	400W
Voltage	110V/220V	
Temperature Range	150℃-500℃	
Temperature Stability	±5℃	
Solder Pot	Titanium Alloy	
Solder Pot Dimensions	Φ36×40(H)mm	Φ54×38(H)mm
Weight	About 860g	About 1.34kg
Total Dimensions	91(L)×150(W)×75(H)mm	190(L)×115(W)×75(H)mm



QUICK/100-15S

Features:

- Closed-loop sensor controls temperature, zero triggering without polluting the operating voltage.
- Using anti-erosion and heat resistant alloy materials; long lifetime, suitable for lead free applications.
- Rapid temperature rising, accurate and stable temperature.
- LCD displays the temperature.
- Digital temperature calibration, easy and convenient to use.

Specifications:

Power Consumption	600W
Temperature Range	100℃-450℃
Temperature Stability	±5℃
Solder Pot	Titanium Alloy
Solder Pot Dimensions	98(L)×121(W)×58(H)mm
Max Solder Weight	About 4.35kg
Dimensions	200(L)×320(W)×100(H)mm



OTHER PRODUCTS

MAGNIFYING LAMP

QUICK/228

Features:

- Integration of magnifying and lighting, magnifications selectable.
- Bright and stable light, no flash feeling, not harmful to people's eyesight.
- White optical lens are available to relax the strain of eyesight after long time of use.
- Applications: For electronic engineers to view or check micro components or components densely-fitted circuit board, or for medical personnel and beautician to light or magnify.



Specifications:

Items	QUICK 228(L)	QUICK 228A(L)	QUICK 228B(L)	QUICK 228F	QUICK 228AF	QUICK 228BF
Supply Volatge	AC 220V					
Lens Diameter	Φ125mm				175mm×110mm	
Lens Option	Common and optical lens optional					
Magnifications	×3, ×5, ×8				×3, ×5	
Adjustable Extent	1000mm	500mm	700mm	1000mm	500mm	700mm
Feature	Table-clamping, folding arm	Desk-top, pole-supported	Desk-top, folding arm	Table-clamping, folding arm	Desk-top, pole-supported	Desk-top, folding arm
Weight	About 2.9kg	About 3.2kg	About 3.2kg	About 3.8kg	About 3.6kg	About 3.7kg

- LED Type available
- "L" means LED, power 6W, longlife