

# 17. DESICCATOR

---



Desiccator .....	215
Vacuum Desiccator .....	216

# Desiccator

Desiccator cabinets or dry boxes are sealed containers designed to protect samples from contamination in a low humidity environment. The controlled atmosphere inside the desiccator cabinets is ideal for storing retained samples, reference materials, biopharmaceutical products, metallographic specimen, tobacco and DNA samples.







Model No.	SH-DS-3T		Options	
Dimension Internal	270x300x400mm / 10.63x11.81x15.75"		Purge	Desiccant
Dimension External	320x330x480mm / 12.60x12.99x18.90"		N/A	N/A
Material	Body	PMMA		
	Frame	ABS		
	Shelve	ABS		
	Caster	N/A		
Component	Temp / Humi gage	Analog built in		
	Dehumidifier	built in		
	Shelves	3 EA, 270x300mm 10.63x11.81"		

## Option Guide:


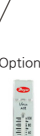


User should order dependent on the type of the desiccator. If user is using a desiccator with Purge function need options (Essential : Valves 2EA, Optional : Gas Flowmeter). If user using Desiccator with desiccant, at least silica tray or dehumidifier(option) is required.

Silica Tray will be provided in case of Dehumidifier is not ordered.







Model No.	SH-DS-10		Options	
Dimension Internal	560x483x731mm / 22.05x19.02x28.78"		Purge	Desiccant
Dimension External	574x535x765mm / 22.60x20.87x30.12"		Essential  valve 2EA  Optional  Gas flowmeter	Basic composition  Silica tray  Optional  Dehumidifier
Material	Body	PMMA		
	Frame	AL		
	Shelve	SUS		
	Caster	N/A		
Component	Temp / Humi gage	Digital built in		
	Dehumidifier	Option		
	Shelves	2 EA, 460x490mm 18.11x19.29"		







Model No.	SH-DS-12		Options	
Dimension Internal	560x483x986mm / 22.05x19.02x38.82"		Purge	Desiccant
Dimension External	574x535x1090mm / 22.60x20.87x42.91"		Essential  valve 2EA  Optional  Gas flowmeter	Basic composition  Silica tray  Optional  Dehumidifier
Material	Body	PMMA		
	Frame	AL		
	Shelve	SUS		
	Caster	N/A		
Component	Temp / Humi gage	Digital built in		
	Dehumidifier	Option		
	Shelves	4 EA, 460x490(mm) 18.11x19.29"		



Model No.	SH-DS-20		Options	
Dimension Internal	560x483x1486mm / 22.05x19.02x58.50"		Purge	Desiccant
Dimension External	574x535x1770mm / 22.60x20.87x69.69"			
Material	Body	PMMA	Essential valve 2EA  Optional Gas flowmeter 	Basic composition  Silica tray Optional Dehumidifier 
	Frame	AL		
	Shelve	SUS		
	Caster	PA		
Component	Temp / Humi gage	Digital built in		
	Dehumidifier	Option		
	Shelves	4 EA, 460x490mm 18.11x19.29"		



Model No.	SH-DS-40		Options	
Dimension Internal	1138x483x1486mm / 44.80x19.02x58.50"		Purge	Desiccant
Dimension External	1164x535x1770mm / 45.83x20.87x69.69"			
Material	Body	PMMA	Essential valve 2EA  Optional Gas flowmeter 	Basic composition  Silica tray Optional Dehumidifier 
	Frame	AL		
	Shelve	SUS		
	Caster	PA		
Component	Temp / Humi gage	Digital built in		
	Dehumidifier	Option		
	Shelves	8 EA, 460x490(mm)		

## Vacuum Desiccator

The Vacuum Desiccator is a sealed and PMMA cabinet that provides dust-free and corrosion-free environments ideal for the storage of moisture-sensitive materials such as halide salt cells and chromatography plates. Rapid drying of the stored products is also guaranteed through the vacuum inside the equipment.



Model No.	SH-VDS-12	SH-VDS-19	SH-VDS-36
Dimension Internal (WxDxH)	260x180x260mm	260x200x360mm	260x300x460mm
	10.23x7.09x10.24"	10.24x7.87x14.17"	10.24x11.81x18.11"
Material	Body	PMMA	
Component	Valves	8MM VALVE 2EA	
	Gauge	Vacuum gauge	
	Dehumidifier	Silica tray	
Shelves	2 EA	3 EA	4 EA



Model No.	SH-VDS-29	SH-VDS-43
Dimension Internal (WxDxH)	260x280x410mm	300x280x510mm
	10.24x11.02x16.14"	11.81x11.02x20.18"
Material	Body	PMMA
Component	Valves	8MM VALVE 2EA
	Gauge	Vacuum gauge
	Dehumidifier	Silica tray
Shelves	4 EA	5 EA