

# Model AcuDew

## High Performance Dewpoint Transmitter

The **Shaw Moisture Meters Model AcuDew Dewpoint Transmitter** is a compact, 2 wire, 4-20 mA loop powered transmitter, used for trace moisture measurement of process gases and dry compressed air.

Utilising the Ultra High Capacitance SHAW Dewpoint Sensor, the AcuDew is a robust and reliable dewpoint transmitter, offering excellent sensitivity, repeatability and speed of response. The AcuDew dewpoint transmitter also incorporates the SHAW AutoCal feature to ensure accuracy between laboratory calibrations.



Model AcuDew provides a linear 4-20 mA signal over the chosen measurement range, loop powered by a 7-28 V DC source. Various dewpoint ranges are available, covering an overall range from -120 °C to +20 °C dewpoint (-184 °F to +68 °F). The output is configurable in °C dewpoint, °F dewpoint, ppm(v), ppb(v), g/m<sup>3</sup> and lb/MMSCF.

The rugged stainless-steel construction and industrial M12 connector provide a protection rating of IP66 (NEMA 4X) and can withstand extreme environmental conditions across a wide range of industrial applications. The AcuDew dewpoint transmitter has been tested to withstand pressures up to 35,000kPA (350 bar) for direct connection in to pipelines.

Easy to install and operate, requiring little or no maintenance, the AcuDew offers reliable and accurate measurements. The microprocessor circuitry of the AcuDew dewpoint transmitter drives its high resolution to provide advanced self-diagnostics for fault conditions. When installed in remote locations, the 4-20 mA signal can be transmitted to a control system over distances up to 1,000 meters (3,280 feet).

The AcuDew is fully compatible with the Acu range of single channel displays: the AcuLoop plug-in signal indicator for local display; the panel mount AcuVu with 4-20 mA retransmission and fully programmable alarms; and the AcuTrak with additional on-board pressure dewpoint calculations and RS485 communications.

The Model Acudew is supplied ready to use, with a Certificate of Calibration traceable to National and International Humidity Standards, instruction manual and two metres of cable.



AcuDew shown with AcuLoop plug in display.  
AcuLoop sold separately.


### Features

- 2-wire, loop powered, 4-20 mA dewpoint transmitter
- Various ranges: overall range -120 °C to +20 °C dewpoint (-184 °F to +68 °F)
- Accuracy  $\pm 2$  °C dewpoint ( $\pm 3.6$  °F)
- Output configurable in °C dewpoint, °F dewpoint, ppm(v), ppb(v), g/m<sup>3</sup> and lb/MMSCF
- AutoCal calibration feature
- Open/short circuit detection
- Weatherproof rating IP66 (NEMA 4X)
- Fully compatible with the single channel displays: Model AcuLoop, Model AcuVu, Model AcuTrak, SU4 sample system and SWS sample system

## DEWPOINT SENSOR SPECIFICATIONS

- **Sensing Element:** Shaw Ultra High Capacitance - Aluminium Oxide Sensor
- **Ranges:** Dewpoint = 0.1 °C/0.2 °F resolution
  - ZD:** -100 °C to +20 °C (-148 °F to +68 °F) dewpoint
  - HD:** -65 °C to +20 °C (-85 °F to +68 °F) dewpoint
  - Go (Gold):** -120 / -20 °C (-184/-4 °F) dewpoint 0.1 ppb - 1,000 ppm(v)
  - P (Purple):** -100 / 0 °C (-148/+32 °F) dewpoint 0 - 6,000 ppm(v)
  - S (Silver):** -100 / -20 °C (-148/-4 °F) dewpoint 0 - 1,000 ppm(v)
  - G (Grey):** -80 / 0 °C (-112/+32 °F) dewpoint 0 - 6,000 ppm(v)
  - R (Red):** -80 / -20 °C (-112/-4 °F) dewpoint 0 - 1,000 ppm(v)
  - B (Blue):** -80 / +20 °C (-112/+68 °F) dewpoint 0 - 23,000 ppm(v)
  - MP:** 0.1 to 100.0 ppm(v) 0.1 ppm resolution
  - LP:** 0.01 to 10.00 ppm(v) 0.01 ppm resolution
  - GH:** 0.01 to 10.00 g/m<sup>3</sup> 0.01 g/m<sup>3</sup> resolution
  - LB:** 0.1 to 100.0 lb/MMSCF 0.1 lb/MMSCF resolution
- **Calibration Warranty:** 12 months from date of dispatch
- **AutoCal:** Field calibration/span check facility. Activated and operated via the potentiometer on the transmitter body
- **Factory Calibration:** Supplied with Certificate of Calibration traceable to National Physical Laboratory (NPL)
- **Accuracy:** ± 2 °C (±3.6 °F) dewpoint NPL traceable -90 °C to +20 °C (-130 °F to +68 °F)
- **Temperature Coefficient:** Temperature compensated for operating range
- **Resolution:** 0.005 mA
- **Repeatability:** Better than ±0.3 °C (±0.54 °F) dewpoint
- **Operating Temperature:** -20 °C to +60 °C (-4 °F to +140 °F)
- **Storage Temperature:** -20 °C to +70 °C (-4 °F to +158 °F)
- **Response Times:** Wet to dry: -20 °C to -60 °C - less than 120 secs  
Dry to wet: -100 °C to -20 °C - less than 20 secs
- **Sample Flow Rate:** Flow independent but ideally 2 to 5 litres per minute. Max: 25 litres/min

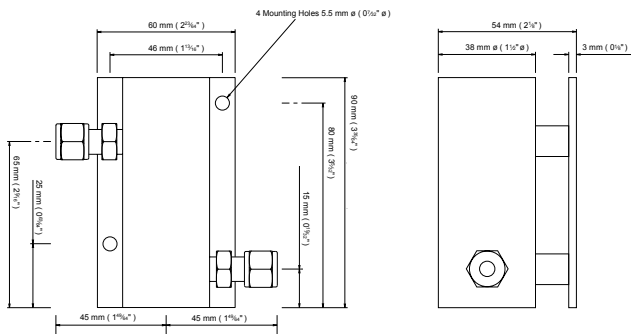
## ELECTRICAL

- **Electromagnetic Compatibility (EMC):** Immunity: complies with EN 61326-1:2013 Emissions: complies with EN 61010-1:2010
- **Warm Up Time:** 10 seconds
- **Fault Conditions:** Open circuit/under range: output drives to 20.5 mA  
Short circuit/over range: output drives to 20.75 mA
- **Approvals:** 
- **Isolation:** Sensing element connected to the 4-20 mA loop but isolated from transmitter body
- **Output Signal:** 4-20 mA Linear
- **Operating Voltage:** 7-28 V DC reverse polarity protected
- **Maximum Series Resistance:** = {40 x (Supply Voltage - 7)} Ω

## MECHANICAL

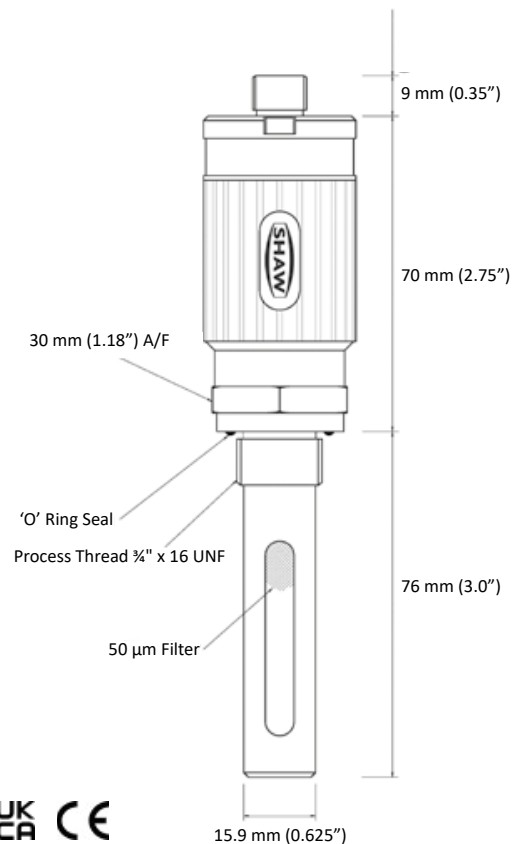
- **Operating Pressure:** From 1kPa (0.01 barA) to maximum 35,000kPa (350 barA)
- **Operating Humidity (External):** Maximum - 95% RH non-condensing
- **Cable Terminations:** IP66/NEMA 4X rated, M12 five pin cable connector at the transmitter and the other end terminated with bootlace ferrules
- **Cable:** Supplied with 2m standard cable. Nominal diameter 3.4mm, 92 Ω/km at 20°C
- **Transmitter Enclosure:** 316 stainless steel body with five pin integrated cable plug
- **Sensor Protection:** 316 sintered stainless steel filter - 50 micron
- **Probe Material (Wetted Parts):** 316 stainless steel
- **Weatherproof Classification:** IP66 (NEMA 4X) when connector mated to transmitter
- **Mechanical Connection:** 3/4" UNF (16tpi) with integral Viton "O" ring seal
- **Mechanical Warranty:** 24 months in case of faulty workmanship and defective parts
- **Weight:** 215 grams (0.474 lb) includes connector

## SENSOR HOLDER ASSEMBLY DIAGRAM



NOTE:  
The assembly is shown with 6.35 mm (1/4 inch) OD tube fittings.  
The dimension across the tube fittings will vary for all other size fittings.

## DEWPOINT TRANSMITTER DIAGRAM





## Related Products

### Model AcuLoop Display

- Four digit, LED, plug in display
- Loop powered
- Connects directly to the AcuDew transmitter
- Self-contained and robust
- Adjustable display: 210° rotation on its stem and 360° rotation (four x 90 increments) on its axis for inverted viewing



### Model AcuVu Hygrometer

- Panel mount
- Four digit LED display
- Two programmable relay alarms
- 4-20 mA analogue output
- User selectable units: °C, °F, ppm(v), g/m<sup>3</sup> and lb/MMSCF



### Model AcuTrak Hygrometer

- Single channel inline
- 4-20 mA analogue output
- Two independent alarms
- Fully programmable relay alarms
- Onboard pressure dewpoint calculations
- User selectable units
- RS485 serial communications



### Model SWS Sample System



- Designed for gas or general compressed air sampling
- Weatherproof sample system
- Combines pressure regulation, filtration and flow control
- Dewpoint meter and dewpoint transmitter housed inside the IP65 rated cabinet
- Allows operation at ideal sampling conditions



### Model SU4 Sample System

- Combines: pressure regulator, sensor holder and flow meter
- Mounted on a back plate



Approvals:  

## Ordering Information

### To order a Model AcuDew Dewpoint Transmitter

#### Model AcuDew - (Range)

R - Choose the required range:

<b>ZD:</b>	-100 °C to +20 °C (-148 °F to +68 °F) dewpoint	
<b>HD:</b>	-65 °C to +20 °C (-85 °F to +68 °F) dewpoint	
<b>Go (Gold)</b>	-120 to -20 °C (-184 to -4 °F) dewpoint	0.1 ppb - 1,000 ppm(v)
<b>P (Purple)</b>	-100 to 0 °C (-148 to +32 °F) dewpoint	0 - 6,000 ppm(v)
<b>S (Silver)</b>	-100 to -20 °C (-148 to -4 °F) dewpoint	0 - 1,000 ppm(v)
<b>G (Grey)</b>	-80 to 0 °C (-112 to +32 °F) dewpoint	0 - 6,000 ppm(v)
<b>R (Red)</b>	-80 to -20 °C (-112 to -4 °F) dewpoint	0 - 1,000 ppm(v)
<b>B (Blue)</b>	-80 to +20 °C (-112 to +68 °F) dewpoint	0 - 23,000 ppm(v)
<b>MP:</b>	0.1 to 100.0 ppm(v)	
<b>LP:</b>	0.01 to 10.00 ppm(v)	
<b>GH:</b>	0.01 to 10.00 g/m <sup>3</sup>	
<b>LB:</b>	0.1 to 100.0 lb/MMSCF	

Example:

To order a Model AcuDew with a measuring range of -80 °C to 0 °C (-112 °F to +32 °F) dewpoint (grey sensor), please order as

**AcuDew-G**

### To order a Sensor Holder for use with the Model AcuDew

#### AcuDew - (SEH) Sensor Holder - (F) Fitting Size

F - Choose fitting size for sensor holder:

4: ¼" 8: ½" 6: 6 mm



Example:

To order a Sensor Holder with ¼" fitting please order as

**AcuDew-SEH-4**

### To order a Model AcuLoop Plug In Display

#### AcuLoop - (R) Range - (U) Units

R - Choose the required range for the AcuDew transmitter

U - Choose the required units for the AcuLoop plug in display

C: °C dewpoint F: °F dewpoint P: ppm(V) B: ppb(V)



Example:

To order a Model AcuLoop for an AcuDew with a measuring range of -80 °C to 0 °C (-112 °F to +32 °F) dewpoint (grey sensor), specifying °C as units, please order as **AcuLoop-G-C**