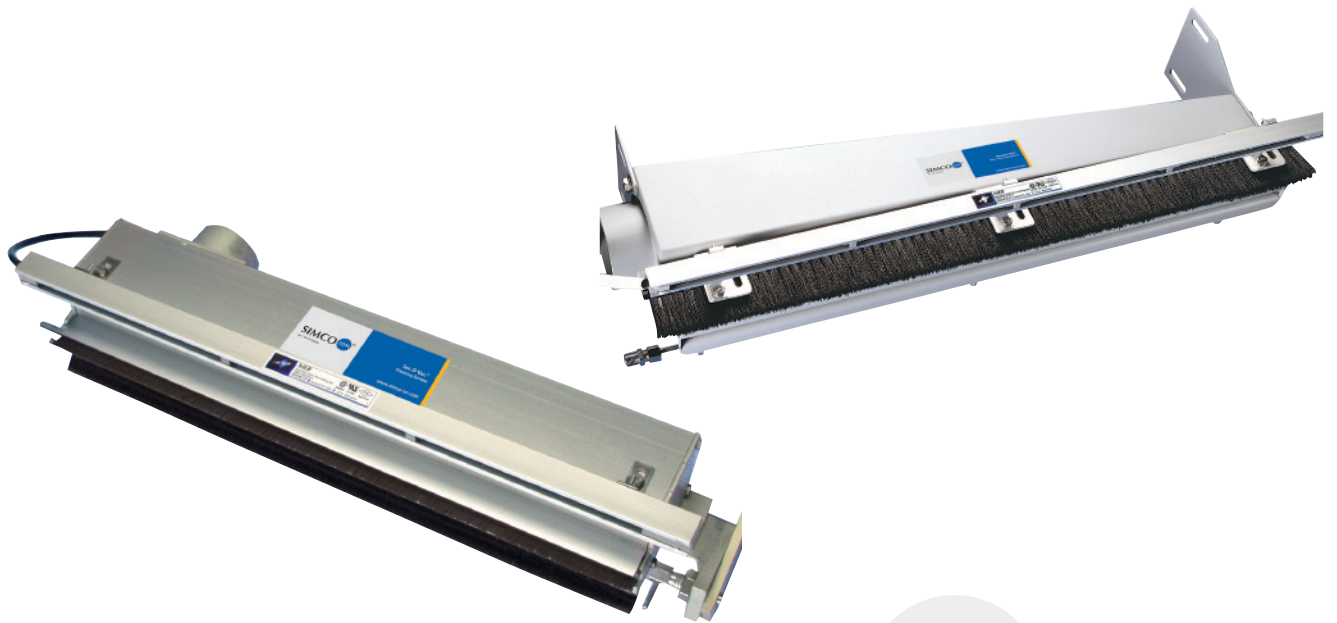


Web & Sheet Cleaning Systems



Web & Sheet Cleaning Systems

Multiple production processes of paper, film, and foil materials create particles that can contaminate the web. Contact and separation of the web material with the machine rollers generates static electricity that results in an electrostatic adhesion, bonding contaminants to the surface of the web. The faster the web operates, the more complicated this problem becomes. Contaminated surfaces cause defects, which results in quality problems, costly rejects, and ultimately dissatisfied customers.

Simco-Ion offers a variety of web & sheet cleaning systems. The cleaner that is right for you depends on how clean you need your surface to be. Most systems are configured with static bars that neutralize static charges and prevent retraction of contaminants to the web surface.

Benefits

- Reduces product rejects
- Improves overall product quality
- Increases productivity
- Minimizes maintenance and downtime for cleaning
- Improved customer satisfaction



Neutro-Vac

The Neutro-Vac® Web Cleaning System

Neutro-Vac Systems combine the power of a compressed air blast, static elimination, brushes and a high exhaust head to agitate the web, remove the static bond and evacuate surface particulate down to 20 microns in size. The Neutro-Vac systems are ideal for installation over unsupported webs from 3" to 300" wide. No adjustment is required to accommodate a change in web width due to the characteristics of the Neutro-Vac head design. These systems are also designed with low maintenance in mind.

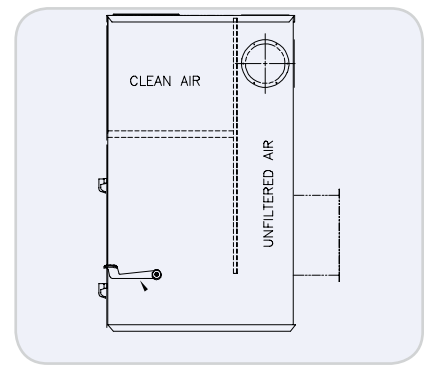
Neutro-Vac systems have been installed on many machines including:

- Marquip Systems
- United Die Cutter
- Ward Die Cutter
- Harper Die Cutter
- Slitting Machines

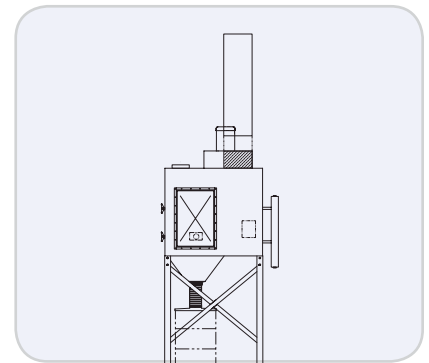
Features

- One sided or top and bottom web cleaning
- Contact, non-contact and hazardous location configurations
- HEPA after-filter available

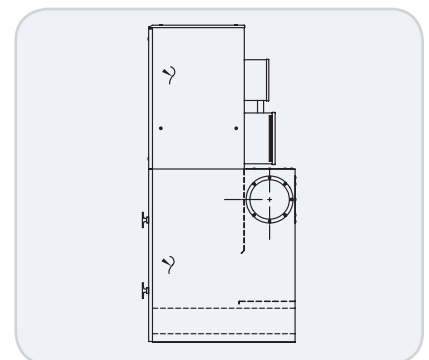
Dust Collector Styles



DC84



2PJ4XP

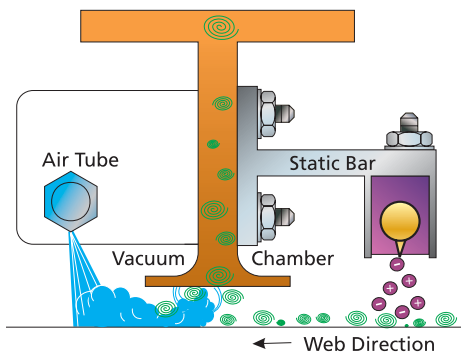


DC1200

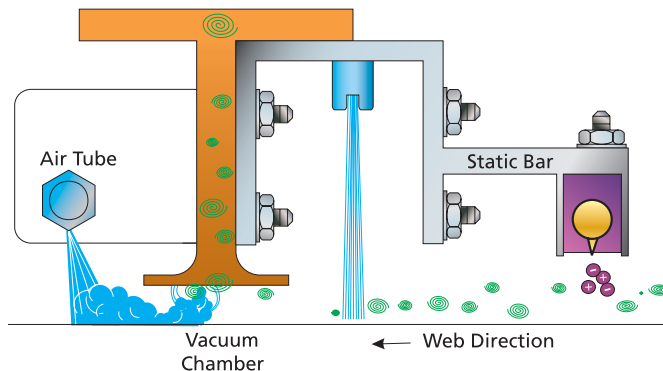




Neutro-Vac Non-Contact Head, with Static Bars and Air Tube



Neutro-Vac Brush Contact Head, with Static Bars and Air Tube



Ion-O-Vac® Web & Sheet Cleaning Systems

The Ion-O-Vac line of sheet and web cleaners is designed to remove particulate down to 20 microns in size. Using a combination of high of high velocity air speed and static elimination, the Ion-O-Vac heads are mounted where material has more than 30 degrees of surface contact with a roller or cylinder. This maximizes the cleaning effect of the high pressure vacuum.

Ion-O-Vac Mark I

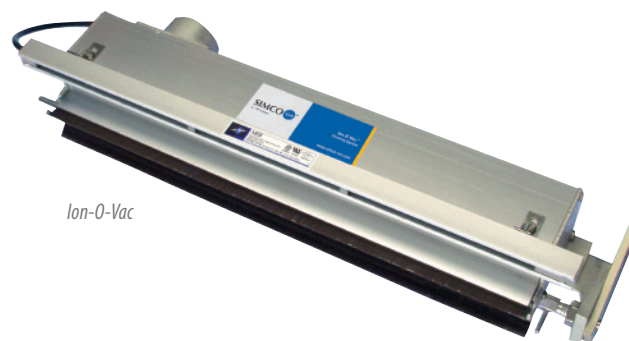
The Mark I systems include a high velocity dust collector and custom designed vacuum head with cleaning brushes and static bar (not included on select models). Designs for many presses as well as custom engineering are available to manufacture a head to accommodate modifications to your press.

The Mark I sheet cleaner is used extensively in the printing industry on many presses including:

- Heidelberg
- Komori
- Man Roland
- Mitsubishi
- Mark Andy
- Nilpeter
- Comco
- Propheteer

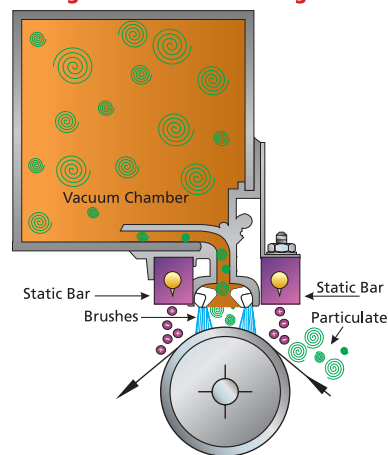
Features

- Double surface cleaning available for web presses
- Canister collector with cartridge filter
- Pre-filter and motor starter
- Contact and non-contact configurations



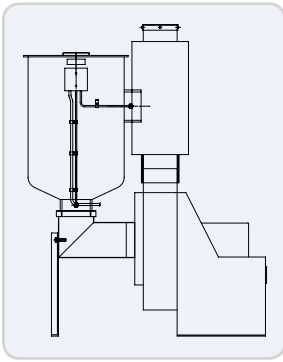
Ion-O-Vac

Typical High Pressure Hood Design

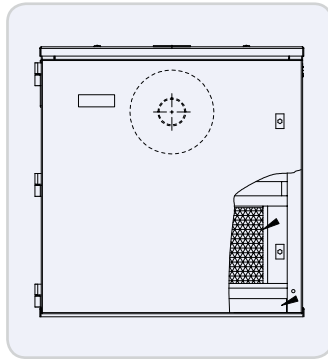




Dust Collector Styles



800 CFM



DCX500

Ion-O-Vac Mark IV

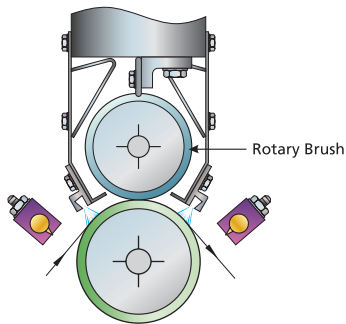
Mark IV systems utilize the power of rotary brush action to scrub the material surface, cleaning down to 15 microns. The scrubbing action of the Mark IV rotary brush system is designed for the toughest of materials that demand the cleanest of printing surfaces.

Features

- Double surface cleaning available for web presses
- Single or double surface cleaning arrangements
- Canister collector with cartridge filter
- Pre-filter and motor starter
- Ion-O-Vac head with rotary brush, drive and speed motor and controls, static eliminator and brackets



Mark IV



An ITW Company

Simco-Ion

2257 North Penn Road
Hatfield, PA 19440-1998

Tel: 800.203.3419 (in USA)

Tel: 215.822.6401

customerservice@simco-ion.com

www.simco-ion.com

