

## Hybrid recorder SKR-M10C Series



Model

### **SKR-M10C**

8096-01: 1 pen type  
8096-02: 2 pen type  
8096-06: 6 dotting type

#### **FEATURES**

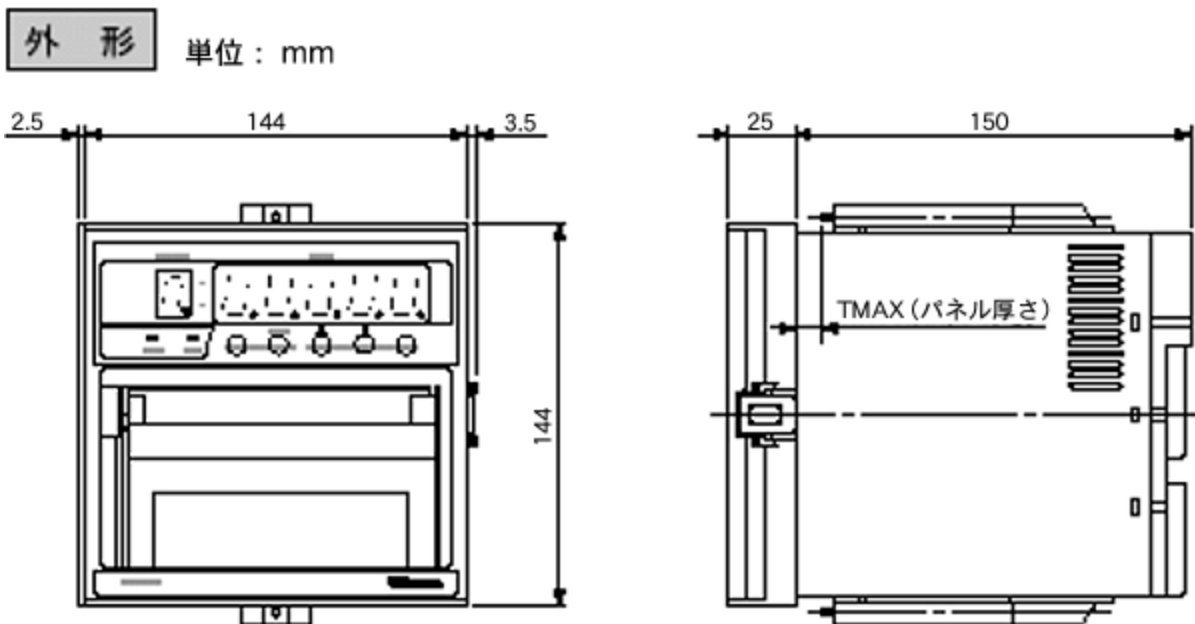
- Flat type; short depth.  
Dimensions: (W)144×(H)144×(D)150mm this device can be mounted on small panel.
- Dust-proof, water-proof  
Conformity to IP-65, this device is suitable for placing on harsh condition such as food, electric furnace
- Lightweight  
1.5kg (6 dot recorder)
- Easy to read, large LED display  
Equipped with character height of 18 mm, large LED display
- RS-232C is equipped as standard features  
Communication function (RS-232C), multi-range
- Easy to operate  
By adopting easy 5-key operation, operation procedure is standardized
- Conformity standards  
UL, CSA, CE mark

## SPECIFICATIONS

		Pen-type recorder	Dot-type recorder
Price		As for the quotation, please contact our sales.	
		One-pen type No.8096-01	Six-dot type No.8096-06
		Two-pen type No.8096-02	
Input	Measuring point	1, 2	6
	Measuring period	125ms	10s / all points
	Inputs	Direct voltage: $\pm 10\text{mV}$ , 0 to 20mV, 0 to 50 mV, $\pm 200\text{mV}$ , $\pm 1\text{V}$ , $\pm 10\text{V}$ , 0 to 5V Thermocouple: R,S,B,K,E,J,T,C,N,PR40-20,PL,Au-Fe,U,L RTD: Pt100, JPt100 Direct current: 4 to 20mA DC (shunt resistor: 250 $\Omega$ )	
Performance, characteristics	Accuracy rating	Less than $\pm 0.3\%$ of rdg $\pm 3$ digit: Digital display, printing	
	Noise rejection ratio	Normal mode rejection ratio: more than 60dB(50/60 $\pm 0.1\text{Hz}$ ) Common mode rejection ratio: more than 140dB(50/60 $\pm 0.1\text{Hz}$ )	
	Insulation resistance	Each terminal to ground terminal; More than 0.5kV DC 20M $\Omega$	
	Withstand voltage	From power terminal to ground connection terminal; 1.5 kV AC, 1 minute From Input terminal to ground connection terminal; 0.5 kV AC, 1 minute	
	Vibration resistance	10 to 60 Hz less than 1m/s <sup>2</sup>	
	Impact resistance	Less than 2m/s <sup>2</sup>	
Alarm	Output points	3 points (a contact, built-in option)	6 points (a contact, built-in option)
	Contact capacity	250V AC 3A Max (Resistance load), 30V DC 3A Max (Resistance load)	
Communication function	Type	RS-232C (Standard), RS-485 (option)	
Power requirement	Power requirement	100 to 240V AC (50/60Hz)	
	Maximum power consumption	Less than 30VA (100V AC)	Less than 25VA (100V AC)
Architecture	Mounting	Embedded panel, Door:dust-proof, water-jets-proof (conformity to IEC529-IP65)	
	Dimensions	144W $\times$ 144H $\times$ 150D(mm)	
	Weight	Approx. 2.0 to 2.5 kg	Less than 1.5 kg

Operation ambient	Normal operating conditions Temperature:0 to 50°C, Humidity:20 to 80 %RH		
Printing	Recording method	Disposable felt pen	Wire dot (6 color ink ribbons)
	Printing method	Wire dot (1 color ink ribbon)	
	95% step response	Less than 1.0s	
	Recording period	Less than 1.0s	
	Recording paper	Length: 16m, Width:114mm, Width(folded): 40mm	
	Recording paper forwarding speed	From 5 to 12000 mm/h	From 0 to 1500 mm/h
	Recording color	1 pen: Red, 2 pen: Green, printing color: Purple	Purple,Red,Green,Blue,Brown,Black

\*(1) Recording period can be selected from 10, 20, 30, 60 seconds



### 8096- Hybrid recorder SKR-M10C Series

Cat No.	Model name	Product name	Price
8096-68	WPSR196A000001A	Cartridge pen No.1 (Red)	On inquiry
8096-66	WPSR196A000002A	Cartridge pen No.2 (Green)	On inquiry
8096-70	HPSR001H0002C	Ink Ribbon Cassette for pen-type recorder	On inquiry
8096-72	WPSR188A000001A	Ink Ribbon Cassette for dot-type recorder	On inquiry

8096-80	HMSU3741A	portable case (mounting it by customer)	On inquiry
8152-90	Shunt resistor	Shunt resistor 250Ω (For electric current input)	On inquiry
8096-50	HZCGA0105EL354	Chart paper (50 divisions) (12 boxes / set)	On inquiry

### 8096- Hybrid recorder SKR-M10C Series catalog number selection

Base product number	Model	Architecture	Communication function	DI/DO	Detector "out of paper"	Dummy code	Description	Price
8096-							SKR-M10C Hybrid recorder	
	01						One-pen type recorder	On inquiry
	02						Two-pen type recorder	On inquiry
	06						Six-dot type recorder	On inquiry
								additional price
		C					Standard	On inquiry
			0				Standard (RS-232C)	On inquiry
			1				RS-485	On inquiry
				0			Not available	On inquiry
				1			Relay output (dot type: six-dot)	On inquiry
				2			Relay output (pen type: three-pen type)	On inquiry
				3			3DI	On inquiry
							Relay output (dot-type: six-dot) + 3DI	On inquiry
							Relay output (pen type: three-pen type) + 3DI	On inquiry
					0		Not available	On inquiry

1	Available *(1)	On inquiry
0	Fixed	-

\*(1) With the detector "out of paper", DI/DO must be configured either 1 or 3

\*(2) RS-232C and RS-485 cannot be used at same time.