



# 2-D Ultrasonic Anemometer MODEL SA-10

New

***To measure wind velocity and direction at the fast response!***

## Observation purpose

- ◆ For the local strong wind disaster
- ◆ To the atmospheric diffusion observation
- ◆ To the operations administrator of transportation
- ◆ To the low layer weather and a local meteorological observation



## Features

- ◆ The measurement range is 90m/s.
- ◆ The model with a built-in heater is selectable, too
- ◆ Measurement from 0 m/s to 90 m/s with high response and linearity
- ◆ Without moving part, free from damage under the strong wind condition.

## Specifications

Measurement method	Time sharing transmission/reception witching type ultrasonic pulse emission.
Processing method	Ultrasonic propagation reciprocal
Measuring range	0 - 90 m/s (wind velocity) (Selectable from any of 1,2,5,10,15,20,30,40,50,60,70,80,90m/s) 0 - 540° (wind direction)
Accuracy	±0.2m/s or ±3%RD larger one (velocity)
Output resolution	0.01m/s (wind velocity) 0.1°(wind direction)
Sampling rate	4 times/second, 10 times/second
Digital output	RS-422(can output any element signal)
Output signal	Momentary wind velocity(Ui), Momentary wind direction(θi) Momentary wind velocity(Xi,Yi) Vector averaged wind velocity(Um) Vector averaged wind direction(θm) Average wind velocity(Xm,Ym)
Main material	die-cast aluminum
Painted color	White
Temperature	-40~+60°C
Humidity	10~95%RH
Power supply	DC9V~36V
Weiht	Approx. 1Kg

### Accessory/Display & setting software

#### [Digital output details]

Communication speed/19200bps  
Data length / 8bit, Parity / None. Stop bit / 1bit  
Output format / ASCII

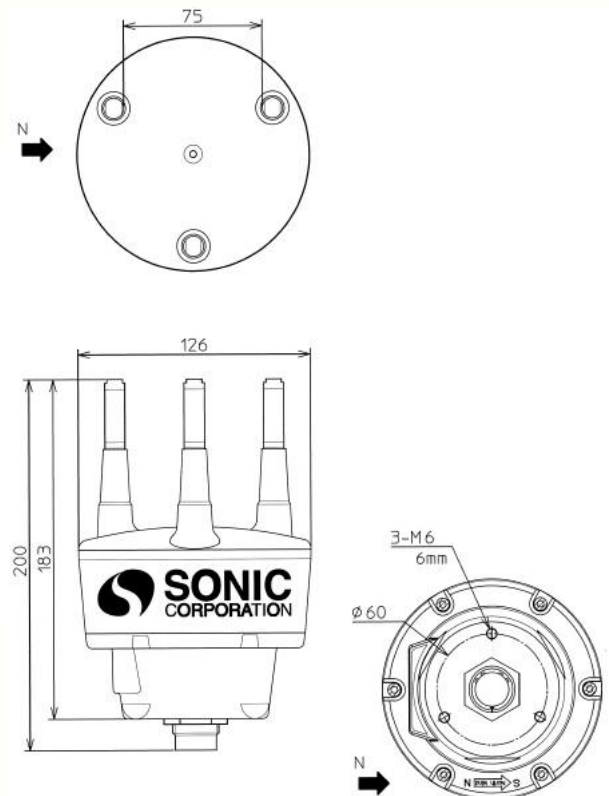
#### [Option]

Heater Specifications

## Configuration items

- SA anemometer/SA-10 1 unit
- Accessory/Display & setting software 1set
- Connection cable/JSCA-20 (20m) 1pc

## Dimensions



**⚠ CAUTION FOR SAFETY :** Please read surely INSTRUCTION MANUAL before operating

● Specification is subject to change without prior notice for improvement.

**SONIC CORPORATION**

[URL] <http://www.u-sonic.co.jp>

[E-Mail] [info@u-sonic.co.jp](mailto:info@u-sonic.co.jp)

HEAD OFFICE  
1-18-2, AKEBONOCHO, TACHIKAWA, TOKYO, JAPAN 190-0012  
TEL. +81-42-512-5487 FAX. +81-42-595-9810

OVERSEAS MARKETING & SALES DIVISION  
1-18-2, AKEBONOCHO, TACHIKAWA, TOKYO, JAPAN 190-0012  
TEL. +81-42-512-5496 FAX. +81-42-595-9950