

T&D Optional Products Catalog

Temp-Humidity Sensors & Illuminance-UV Sensors

THA-3001	P. 2
THA-3151	P. 2
SHA-3151	P. 3
ISA-3151	P. 4
SHB-3101	P. 5
TR-3310.....	P. 6
THB3001.....	P. 7
TR-3100.....	P. 8
TR-3110.....	P. 8
Sensor Extension Cables	
TR-1C30	P. 9
TR-5C10	P. 9
TR-3C30	P. 9



Compatible Products

TR72A/72A-S, TR-72nw/72nw-S, TR-74Ui/74Ui-S/76Ui/76Ui-S, RTR-574/574-S/576/576-S

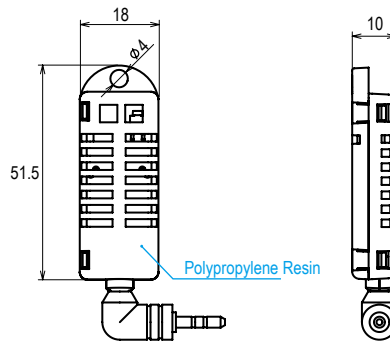
Discontinued > TR-71wb / 71wf / 72wf-H / 72nw-H, TR-74Ui-H / 76Ui-H, RTR-574-H / 576-H

THA-3001



Provided with TR72A, TR-72nw, TR-76Ui and RTR-576

Temperature-Humidity Sensor



[Unit: mm]

Measurement Range	Temperature	0 to 55°C
	Humidity	10 to 95%RH
Accuracy	Temperature	±0.5°C
	Humidity	±5%RH at 25°C, 50%RH
Response Time (90%)	Approx. 7 min.	
Conditions for Use	Do not expose to condensation, dampness, corrosive gases or organic solvents. Continued use may cause a decrease in the sensor's accuracy and sensitivity even under normal operational conditions.	
Notes	Can be extended by 9 meters with the Extension Cable TR-1C30 / TR-5C10	

Compatible Products

TR72A / 72A-S, TR-72nw / 72nw-S, TR-74Ui / 74Ui-S / 76Ui / 76Ui-S, RTR-574 / 574-S / RTR-576 / 576-S

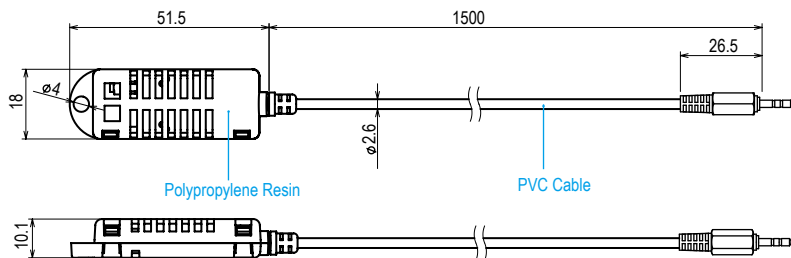
Discontinued > TR-72wb/72wf/72wf-H/72nw-H, TR-74Ui-H/76Ui-H, RTR-574-H/576-H, TR-702NW/702NW-H/702AW/702AW-H, TR-77Ui

THA-3151



Provided with TR-74Ui and RTR-574

Temperature-Humidity Sensor



[Unit: mm]

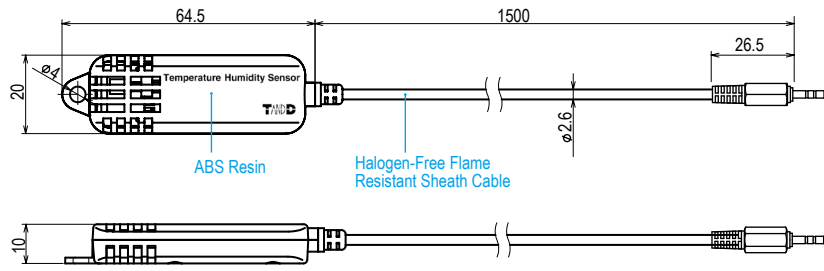
Measurement Range	Temperature	0 to 55°C
	Humidity	10 to 95%RH
Accuracy	Temperature	±0.5°C
	Humidity	±5%RH at 25°C, 50%RH
Response Time (90%)	Approx. 7 min.	
Conditions for Use	Do not expose to condensation, dampness, corrosive gases or organic solvents. Continued use may cause a decrease in the sensor's accuracy and sensitivity even under normal operational conditions.	
Notes	Can be extended by 9 meters with the Extension Cable TR-1C30 / TR-5C10	

SHA-3151



Provided with TR72A-S, TR-72nw-S, TR-74Ui-S, TR-76Ui-S, RTR-574-S and RTR-576-S

High Precision Temp-Humidity Sensor



[Unit: mm]

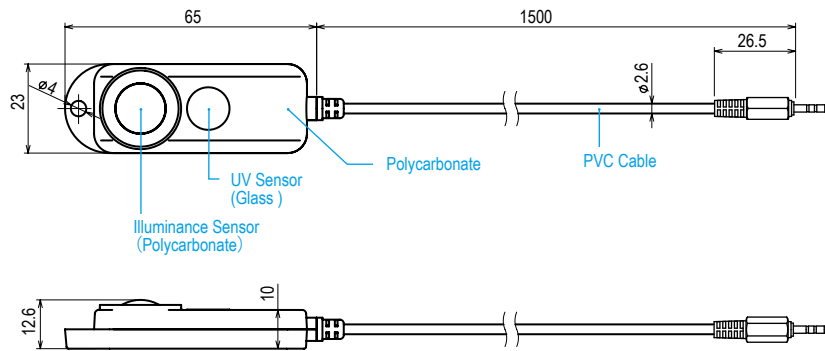
Measurement Range	Temperature	-25 to 70°C
	Humidity	0 to 99%RH When continually used in environments with temperatures above 60°C, accuracy of humidity measurements will decrease over time. Also, humidity cannot be measured at temperatures below -20°C.
Accuracy	Temperature	±0.3°C at 10 to 40°C ±0.5°C all other temperatures
	Humidity	±2.5%RH at 15 to 35°C, 30 to 80%RH
Response Time (90%)		Approx. 7 min.
Long Term Stability		±1%RH/yr, ±0.1°C/yr
Conditions for Use		Do not expose to condensation, dampness, corrosive gases, organic solvents.
Notes		Can be extended by 9 meters with the Extension Cable TR-1C30 / TR-5C10

ISA-3151



Provided with TR-74Ui, TR-74Ui-S, RTR-574 and RTR-574-S

Illuminance-UV Sensors



[Unit: mm]

Measurement Range	Illuminance	0 to 130,000 lx
	UV Intensity	0 to 30 mW/cm ²
Measurement Resolution	Illuminance	Minimum 0.01 lx
	UV Intensity	Minimum 0.001 mW/cm ²
Accuracy	Illuminance	10 lx to 100 klx ±5% at 25°C, 50%RH
	UV Intensity*	0.1 to 30 mW/cm ² ±5% at 25°C, 50%RH
Conditions for Use	Do not expose to condensation, dampness, corrosive gases or organic solvents.	
Notes	Can be extended by 9 meters with the Extension Cable TR-1C30 / TR-5C10	

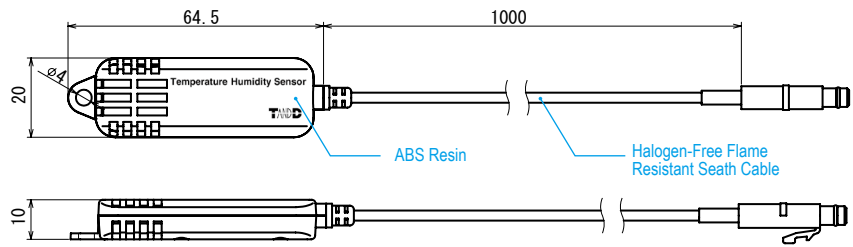
* Compared to the value measured by the T&D standard sensor for calibration under our calibration light source.

SHB-3101



Provided with RTR507B / 507BL

High Precision Temp-Humidity Sensor



[Unit: mm]

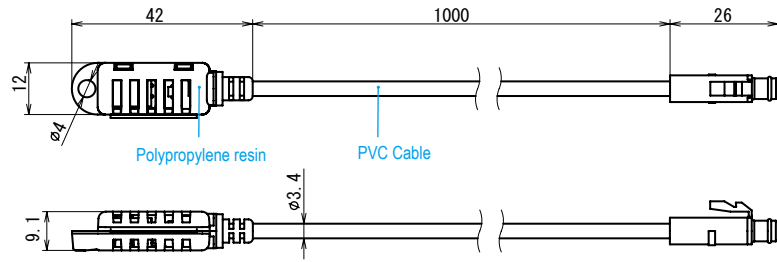
Measurement Range	Temperature	-25 to 70°C
	Humidity	0 to 99%RH When continually used in environments with temperatures above 60°C, accuracy of humidity measurements will decrease over time. Also, humidity cannot be measured at temperatures below -20°C.
Accuracy	Temperature	±0.3°C at 10 to 40°C ±0.5°C all other temperatures
	Humidity	±2.5%RH at 15 to 35°C, 30 to 80%RH
Response Time (90%)		Approx. 7 min.
Long Term Stability		±1%RH/yr, ±0.1°C/yr
Conditions for Use		Do not expose to condensation, dampness, corrosive gases, organic solvents.
Notes		Can be extended by 3 meters with the Extension Cable TR-3C30

TR-3310



Provided with RTR503B

Temperature-Humidity Sensor



[Unit: mm]

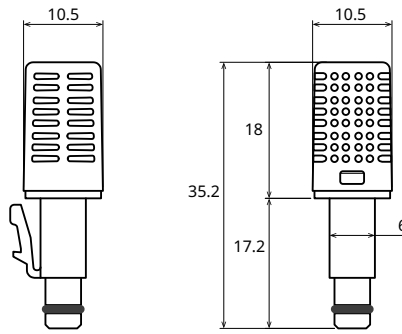
Measurement Range	Temperature	0 to 55°C
	Humidity	10 to 95%RH
Accuracy	Temperature	Avg. ±0.3°C
	Humidity	±5%RH at 25°C, 50%RH
Response Time (90%)		Approx. 7 min.
Conditions for Use	Do not expose to condensation, dampness, corrosive gases or organic solvents. Continued use may cause a decrease in the sensor's accuracy and sensitivity even under normal operational conditions.	
Notes	This sensor does not support the use of an extension cable.	

THB3001



Provided with TR43A

Temperature-Humidity Sensor



[Unit: mm]

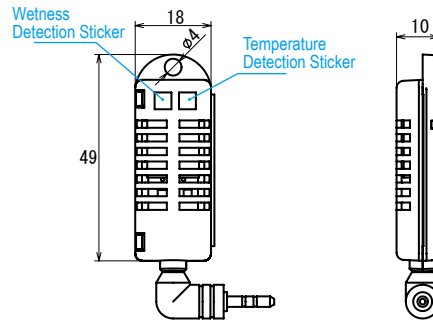
Measurement Range	Temperature	0 to 55°C
	Humidity	10 to 95%RH
Accuracy	Temperature	±0.5°C
	Humidity	±5%RH at 25°C, 50%RH
Response Time (90%)	TR43A: Approx. 11 min., RTR503B: Approx. 13 min., RTR503BL: Approx. 16 min.	
Conditions for Use	Do not expose to condensation, dampness, corrosive gases or organic solvents. Continued use may cause a decrease in the sensor's accuracy and sensitivity even under normal operational conditions.	
Notes	This sensor does not support the use of an extension cable.	

TR-3100



Provided with TR-73U

Temperature-Humidity Sensor



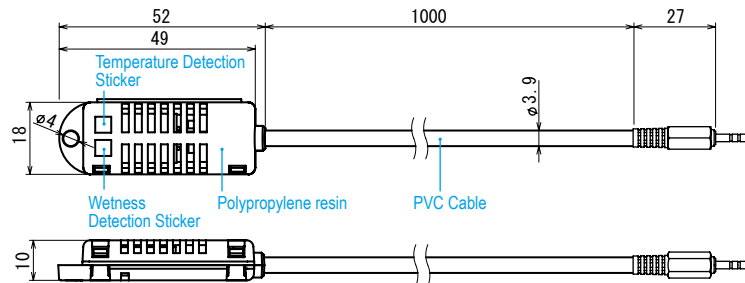
[Unit: mm]

Measurement Range	Temperature	0 to 50°C
	Humidity	10 to 95%RH
Accuracy	Temperature	Avg. ±0.3°C
	Humidity	±5%RH at 25°C, 50%RH
Response Time (90%)	Approx. 7 min.	
Conditions for Use	Do not expose to condensation, dampness, corrosive gases or organic solvents. Continued use may cause a decrease in the sensor's accuracy and sensitivity even under normal operational conditions.	
Notes	Can be extended by 1 meter with the Extension Cable TR-5C10	

TR-3110



Temperature-Humidity Sensor

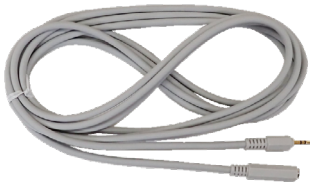


[Unit: mm]

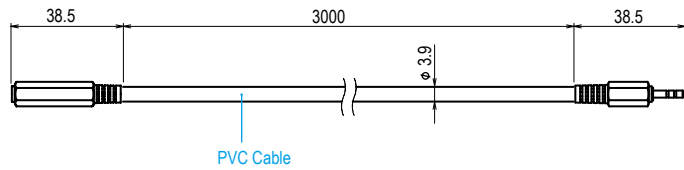
Measurement Range	Temperature	0 to 50°C
	Humidity	10 to 95%RH
Accuracy	Temperature	Avg.±0.3°C
	Humidity	±5%RH at 25°C, 50%RH
Response Time (90%)	Approx. 7 min.	
Conditions for Use	Do not expose to condensation, dampness, corrosive gases or organic solvents. Continued use may cause a decrease in the sensor's accuracy and sensitivity even under normal operational conditions.	
Notes	This sensor does not support the use of an extension cable.	

Sensor Extension Cables

TR-1C30



Sensor Extension Cable



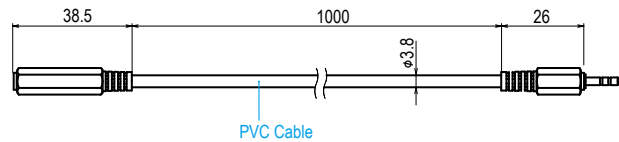
[Unit: mm]

Temperature Durability	-25 to 60°C
Waterproof Capacity	None
Compatible Sensors	Temperature Sensor: TR-1106, TR-1220, TR-1320, TR-0106, TR-0206, TR-0306, TR-0406, TR-0506, TR-0706 Temp-Humidity Sensor: THA-3001, THA-3151, SHA-3151 (Previous Model HHA-3151) Illuminance-UV Sensor: ISA-3151 Input Cable: VR-7101, VR-7102, VR-7103
Conditions for Use	Temperature sensors can use up to 3 meters of extension cables. Temp-Humidity sensors and Illuminance-UV sensors can use up to 9 meters of extension cables. Input cables can use multiple extension cables.

TR-5C10



Sensor Extension Cable



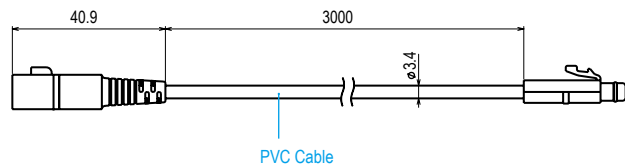
[Unit: mm]

Temperature Durability	-25 to 60°C
Waterproof Capacity	None
Compatible Sensors	Temperature Sensor: TR-1106, TR-1220, TR-1320, TR-0106, TR-0206, TR-0306, TR-0406, TR-0506, TR-0706 Temp-Humidity Sensor: THA-3001, THA-3151, SHA-3151, TR-3100 * (Previous Model HHA-3151) Illuminance-UV Sensor: ISA-3151
Conditions for Use	Temperature sensors can use up to 3 meters of extension cables. Temp-Humidity sensors and Illuminance-UV sensors can use up to 9 meters of extension cables. * Only 1 extension cable for TR-3100

TR-3C30



Sensor Extension Cable



[Unit: mm]

Temperature Durability	-25 to 60°C
Waterproof Capacity	Splash proof (rated for use in daily life)
Compatible Sensors	Temp-Humidity Sensor: SHB-3101 (Previous Model HHB-3101) Input Module: TCM-3010, PTM-3010, VIM-3010, AIM-3010, PIC-3150, PMP-3200
Conditions for Use	Only one cable per sensor or module.