

IMPACT TEST

SP1880, SP1890, SP1891, SP1895, SP1896

PRODUCT DESCRIPTION

The Impact Test is used to determine the impact resistivity and flexibility of coatings. The dual scale instrument is equipped with a special guidance which assures that the distance between each impact is always according to the standard. For correct positioning a spirit-level is built-in. Each Impact test comes as a complete set (instrument and accessories) to perform a test according DIN/ISO 6272, ASTM D2794 and ASTM G14



BUSINESS

Coating Laboratories, Paint Production, Surface Finishing, Powder Coating

STANDARDS

Below mentioned standards are a list of the possible standards. If the required standard is not listed below please contact TQC Sheen to check if adoption of this standard is possible*:

	SP1880	SP1890	SP1891	SP1895	SP1896
Type of Impact	Indirect	Direct	Direct	Direct	
ISO 6272-1:2002		•			
ISO 6272-2:2002	•				
ISO 6272:1993			•		
ASTM D 2794:2004	•				
ASTM G14-04				•	
JIS K 5600-5-3:1989	•	•			
EN 12206-1:2004	•		•	•	
EN 13523-5:2001	•	•			
AAMA 2605-05	•		•		
Qualicoat 2006	•		•		
Qualisteelcoat 2008	•		•		
Canadian Standards Association (CSA)					•

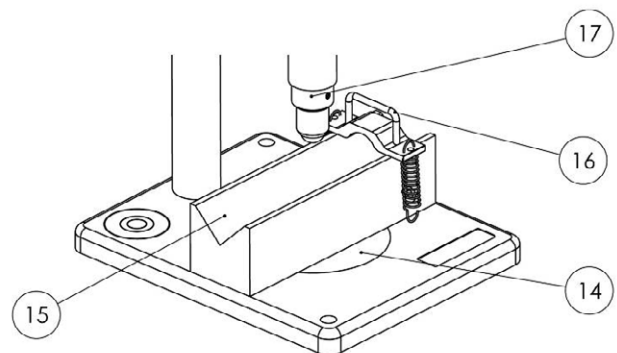
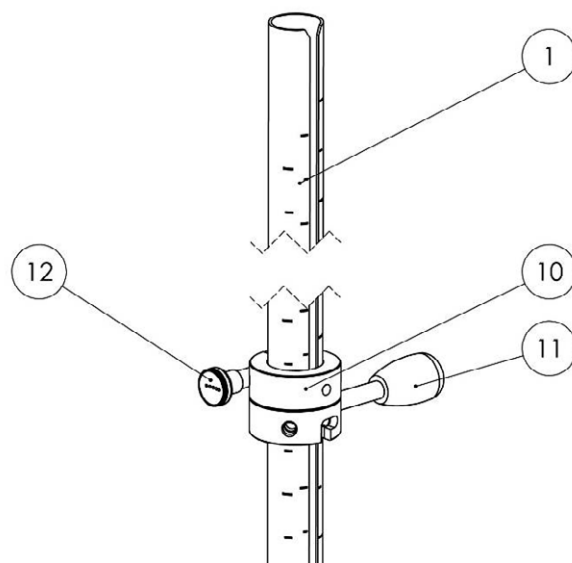
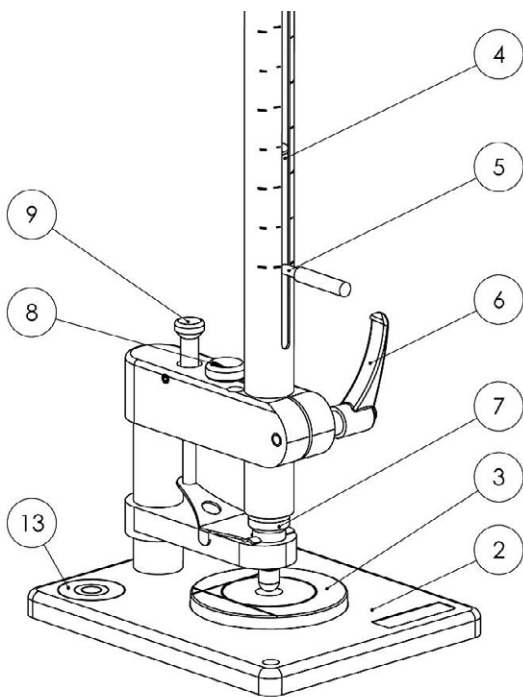
* Conformation to a required standard depends on the impact tester type. The combination of items can change to comply with another standard.

FEATURES

- The dual scale instrument is equipped with a special guidance which assures that the distance between each impact is always according to the standard.
- For correct positioning a spirit-level is built-in.

SCOPE OF SUPPLY

		SP1880	SP1890	SP1891	SP1895
1	Guide Tube	x	x	x	x
2, 6, 13	Base plate assembly with bubble level	x	x	x	x
3	Die 16.3 mm	x		x	
3	Die 27.0 mm		x	x	
4	Weight 1 kg. ISO	x	x	x	
4	Weight 900gr. ASTM			x	
5	Weight lifting Pin	x	x	x	x
7	Punch 15.9 mm	x		x	
8	Punch 12.7 mm	x		x	
9	Lifting pin to release punch	x		x	
10, 11, 12	Release collar	x	x	x	x
14, 15, 16	V shaped notch vise with spring clamp				x
17	Weight 1.361 kg. Incl. 15.9 mm punch				x



ORDERING INFORMATION

SP1880, Impact test according to ISO 6272-2 / ASTM D2794

Impact tester with which indirect impact tests can be performed according to ISO 6272-2 / ASTM D2794

Content: base plate assembly, guide tube, release collar, punch Ø12,7 mm , punch Ø15,9 mm, weight 1 kg, die Ø16,3 mm. Max test panel thickness: 4,5 mm

SP1890, Impact test according to ISO 6272-1

Impact tester with which direct impact tests can be performed according to ISO 6272-1

Content: base plate assembly, guide tube, release collar, clamp device, ball Ø20 mm, die 27mm, weight 1000 gr
Max. test panel thickness: 1,25mm

SP1891, Impact test according to ISO 6272-1 / ASTM D2794 (before 1993)

Impact test with which direct impact tests can be performed acc. to ISO 6272-1 and ASTM D2794 (before 1993).

Content: base plate assembly, guide tube, release collar, clamp device, ball Ø20 mm, die 27mm, weight 1000 gr, ball Ø15,9 mm, die 16,3mm, weight 900 gr

SP1895, Impact test according to ASTM G14

Impact test with which direct impact test can be performed according to ASTM G14

Content: base plate assembly, guide tube, release collar, clamp device, punch Ø15.9 mm, weight 1.361 kg and a V-notch vise with spring clamp to hold the pipe

SP1896, Impact Test according to CSA (picture)



USE

For use please see manual

SPECIAL CARE

- Though robust in design, this instrument is precision-machined. Never drop it or knock it over
- Always clean the instrument after use.
- Clean the instrument using a soft dry cloth. Never clean the instrument by any mechanical means such as a wire brush or abrasive paper. This may cause, just like the use of aggressive cleaning agents, permanent damage.

SAFETY PRECAUTIONS

- Make sure to keep fingers and other body-part clear when performing a test

DISCLAIMER

The right of technical modifications is reserved. The information given in this sheet is not intended to be exhaustive and any person using the product for any purpose other than that specifically recommended in this sheet without first obtaining written confirmation from us as to the suitability of the product for the intended purpose does so at his own risk. Whilst we endeavour to ensure that all advice we give about the product (whether in this sheet or otherwise) is correct we have no control over either the quality or condition of the product or the many factors affecting the use and application of the product. Therefore, unless we specifically agree in writing to do so, we do not accept any liability whatsoever or howsoever arising for the performance of the product or for any loss or damage (other than death or personal injury resulting from our negligence) arising out of the use of the product. The information contained in this sheet is liable to modification from time to time in the light of experience and our policy of continuous product development.