

*New*

**STATIC ERASER  
CROSS-FLOW FAN** Model No. **CF300-E**

EDP No.621657

**Wide Area Neutralization**

- | Outstanding Ion Balance within  $\pm 10V$
- | Stepless Flow Adjustment



Easy maintenance of electrode needles with a brush that can be slid by a finger.



Wide blow cross-flow fan and straight front cover enable superior ionizing performance.

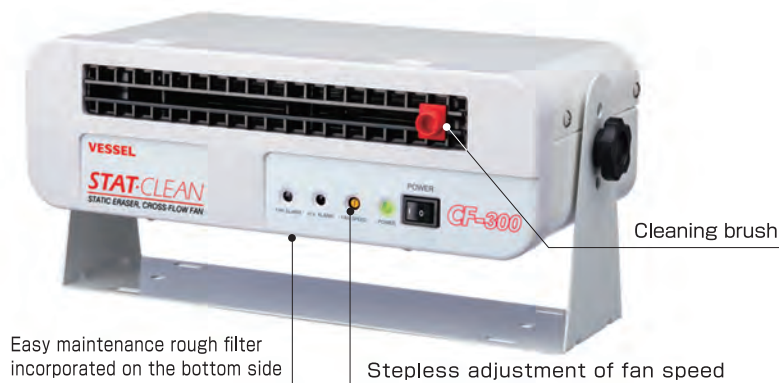
Silent  
**52.5**  
dBA

CE RoHS

**STAT-CLEAN**  
series

**Applications** Working table, belt conveyor, cell production line and so on.

Neutralization for wide area. Good for variety of applications.

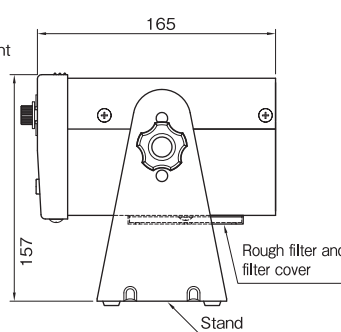
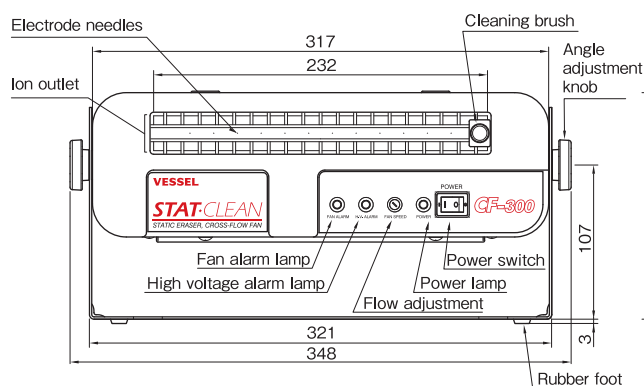


Install on an equipment

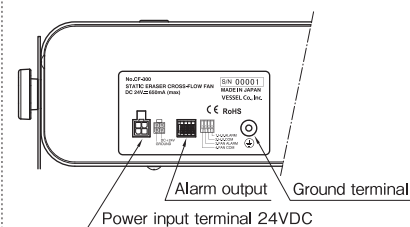


Mount on a cell production table

□ Dimensions



Backside

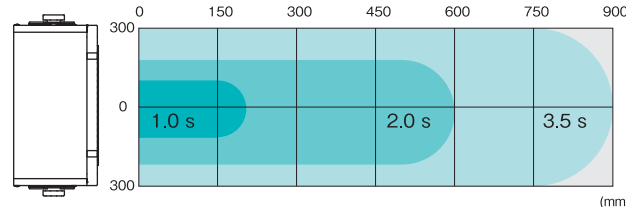


□ Specifications

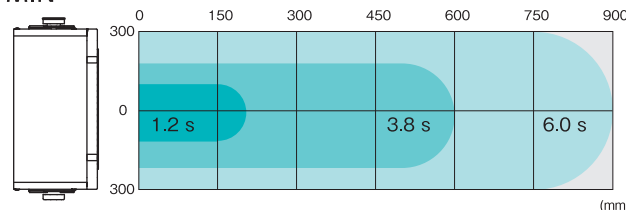
Model No.	CF300-E (EDP No.621657)
Ionizing method	Piezoelectric high-frequency AC corona discharge
Power supply	24VDC ±10%
Consumption electric current	500 mA (max.)
H×W×Dmm	H157 × W348 × D165 mm
Weight	approx. 2.9 kgs
Fan speed	2.5m <sup>3</sup> /min (max)
Noise level	52.5dBA (measured at 1m)
Ozone production	0.05ppm or less
Alarms	High voltage output stop (red LED), fan locked (red LED)
Protection function	Fan motor rotation monitoring function (Detecting rotation lock) High-voltage output shut down function(overload detection) Power supply fuse 3.15A
Storage environment temperature and humidity	5 ~ 40°C 35 ~ 65%RH (with no dew condensation or freezing)
Storage environment temperature and humidity	0 ~ 60°C 35 ~ 85%RH (with no dew condensation or freezing)
Operating range	150 mm to 900 mm
Installation place	Non-hazardous place indoors
Decay time	within 1.5sec (at max.airflow, straight, measured at 300mm)
Ion balance	within ±10V(at the time of shipment, measured at 300mm)
Filter	Rough filter
Material	Body, Stand: SPCC/Front cover: ABS resin Electrode needles: Stainless steel
Accessories	AC adapter AD24-IT/AC input cable 1.8m/ Cleaning brush

□ Performance

■ MAX



■ MIN



- Replacement Parts
- Cleaning Brush CF-300B
  - Rough Filter CF-300F

- Product specifications, dimensions, pricing, and other information are subject to change without notice.
- Static electricity erasing capability values given in this catalog were obtained in our measurement environment. Your results may differ depending on the operating environment.

Distributed by

**VESSEL Co., Inc.**

17-25, Fukae-Kita 2-chome, Higashinari-ku, Osaka 537-0001 JAPAN  
 Tel : +81(0)6 6976 7778 Fax : +81(0)6 6972 9441

**VESSEL EUROPE**

6, avenue du 1er Mai, ZAE Les Glaises, 91120 Palaiseau FRANCE  
 Tel : +33(0)1 69 19 17 42 Fax : +33(0)1 69 19 42 20

E-mail : export@vessel.co.jp URL : <http://www.vessel.co.jp/english/>