

*New*

**ION AIR GUN No.G2-E**

# Practicable Handy Ionizer with Flexible Cable Installation

## Easy Maintenance

Electrode needle can be easily replaced.

- Outstanding Performance: Ion Balance within +/-10V
- Flexible Cable Installation: Upward or Downward
- LED Lamp for Operation Status
- High Voltage Alarm
- Small and Light-Weight
- Safe Design of 24VDC Low Voltage Circuit



Flexibility enhanced input cable \_\_\_\_\_  
(2m from the adaptor to the body)

CE RoHS

**STAT·CLEAN**  
series



## Cables Upward or Downward

There are grooves along which the cable and air hose can be fixed, enabling the G2-E to be hung from above. Very good for a work on a cellular manufacturing table.

Possible to fix the direction of the air hose and the power cable.

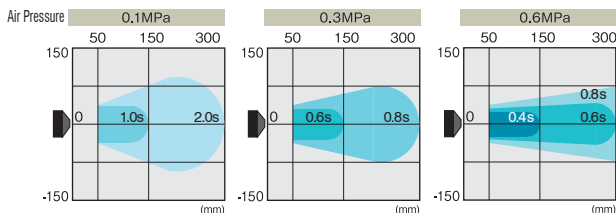


Use the G2-E with cables downward



Use the G2-E with cables upward (e.g. hanging from a tool balancer)

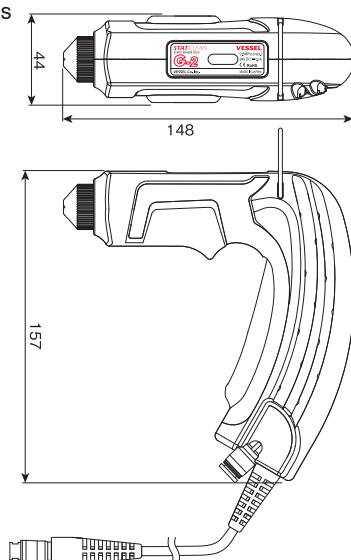
### Ionizing Performance



Air Pressure (MPa)	0.1	0.2	0.3	0.4	0.5	0.6
Air volume (L/min)	66	111	153	193	233	279
Decay Time +1000V→+100V(sec.)	1.2	0.7	0.6	0.5	0.5	0.4
Decay Time -1000V→-100V(sec.)	1.2	0.8	0.6	0.5	0.4	0.4
Ion Balance (V)	-0.6	1.2	1.6	2.3	3.7	4.1

※Measured at the distance of 150mm

### Dimensions



### Specifications

No.	No.G2-E
Ion generation method / Applied voltage	High voltage AC corona discharge / AC 4.5 kV
Input voltage/Power consumption	DC24V ±5% / 100mA (typ)
Dimensions	L148xH157xW44(mm)
Weight	approx. 260g
Air Pressure	0.1 ~ 0.6MPa
Ozone production	0.05ppm or less (measured at 50mm)
Air consumption	153 L/min (0.3MPa)
Noise	94dBA (0.3MPa)
Warning output	High voltage alarm output stop (Red LED)
Protective function	Current fuse (0.5A on the board)
Operating temperature and humidity	5 ~ 40°C 35 ~ 65%RH (non-condensing, non-freezing)
Storage temperature and humidity	0 ~ 60°C 35 ~ 85%RH (non-condensing, non-freezing)
Neutralization area	50 ~ 300mm (Installation:Indoor, non-hazardous area)
Decay Time	0.8 sec (Before shipment 0.3MPa, Measured at 300mm)
Ion Balance	Within ±10V
Material	Casing : Fire retardant polycarbonate and elastomer Hook : SUS Electrode Needle : Tungsten
Accessories	Instruction Manual, AC Adapter (No.AD24-ITC-E)

※The measurement values were obtained using the VESSEL measurement environment, so error could be induced depending on the operation environment.



● For safety purposes, read the instruction manual carefully before using the unit. ● Do not use this product in a hazardous area. ● A high voltage is applied on this product. Make sure that water, oil, solvents, etc., do not come in contact. ● Avoid dew condensation as it can result in electric shock or product damage. ● Keep away metal objects such as tools or needles, or body parts such as fingers, hands or face from the needle electrode because a high voltage is applied on the needle electrode.

Manufactured by

## VESSEL Co., Inc.

17-25, Fukae-kita 2-chome, Higashinari-ku, Osaka 537-0001 JAPAN  
Tel : +81(0)6 6976 7778 Fax : +81(0)6 6972 9441

### VESSEL EUROPE

6, avenue du 1er Mai, ZAE Les Glaises, 91120 Palaiseau FRANCE  
Tel : +33(0)1 69 19 17 42 Fax : +33(0)1 69 19 42 20

E-mail : export@vessel.co.jp URL : http://www.vessel.co.jp/english/

●For improvements, the product specifications, size, price and other information may be subject to change without prior notice.

**Distributed by**

Printed in Japan

16101200.00