

New

Static Electricity Removal **High Power Ionizing Bar**

No.HPB
CE RoHS

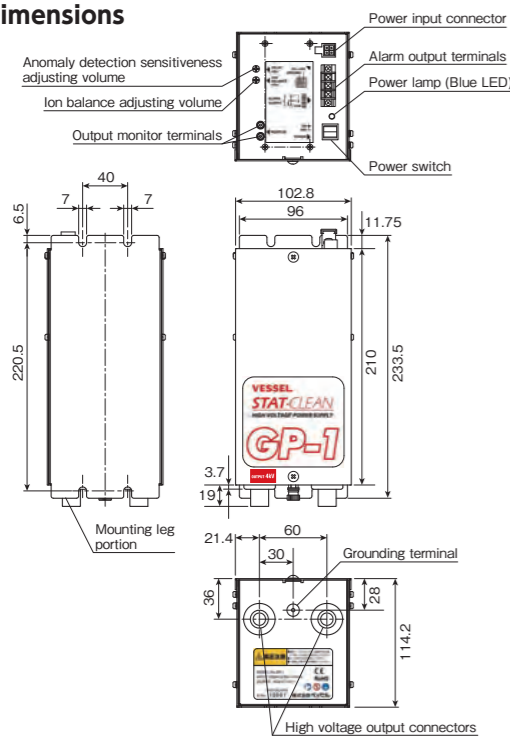
See the inside pages for the dimensions.



- Super slim model, design for installation in a cramped space
- Titanium needle electrode, with less electric corrosion wear
- Silicone shielded high voltage cable, flexible and durable

High Voltage Power Supply Unit
No.GP-1 4kV

■ Dimensions



AD24-GP

■ Specifications

Model	HPB-300/600/810/1005/1200/1500/1800
Type	High voltage applied type ionizer
Structure	Direct-coupled (Touch the electrode when applying current may bring electric shocks)
Applied High Voltage	High voltage power supply unit GP-1 4kV (Option)
Ionizing Method	AC corona discharge
Applied Voltage/Frequency	3.5kVAC/ 50/60Hz (use the GP-1 4kV)
Operating Temp./Humidity	0~45 °C/ 10~85 %RH (without freezing or dew condensation)
Storage Temp./Humidity	0~50 °C/ 10~85 %RH (without freezing or dew condensation)
High Voltage Cable	3m (standard), silicon shielded cable
End Connector	High voltage connector CON-4
Material	Main body: Aluminum, Insulation: Frame retardant PBT(V-0), Discharge needle: Titanium
Weight	540 g/m (cable is not included)
Installation	Indoor
Life Expectancy	10,000 hours (only as a reference) (8-hour operation x 250days x 5 years) * This is not a guarantee.
Accessories	Instruction manual, High voltage cable (already mounted), Mounting bolt M5 (already mounted)

● Air Assist Bar (Option)

Operating Fluid/Input Pressure	Clean air/max. input pressure 0.7MPa
Air Connection	φ8mm tube applicable, one-touch joint
Material	Pipe: Brass

* We will design and manufacture Air Assist Bar, according to the high power ionizing bar that you use. Please contact us for more detail.

■ Specifications

Model	GP-1 4kV
Operating Temp./Humidity	0~50°C/10~90%RH(without freezing or dew condensation)
Storage Temp./Humidity	-30~70°C/10~95%RH(without freezing or dew condensation)
Installation Place	Indoors
Rated Input Voltage	24V DC±10%
Variable Output Range	AC output 4kV DC output -150 to +550V
Secondary Short Circuit Current	5 mA or lower
Output Monitor	1/1000V±5% of the output voltage is emit to the monitor terminals.
Low-voltage Detection	Anomaly detection function will operate when each output drops to about 85% or less of the set voltage due to high voltage short circuit or abnormal sparks.
Overcurrent Detection	Anomaly detection function will operate when the output current is about 4mA or more.
Anomaly Detection Sensitivity Adjustment	The anomaly detection response speed can be adjusted (using external adjustment knob)
Power Supply Input	Molex 5569-04A1-210
High Voltage Output Connector	Ceramic high voltage output terminal×2
Alarm Output Terminal	C contact relay output
Switches And Displays	On-off rocker switches. Blue LED power indicator lamp (goes off when anomaly is detected)
Material	Housing SPCC, painted white
Size	W102.8×D233.5×H114.2mm
Weight	Approx. 4.5kg

■ Power Adapter Specifications

Model	AD24-GP AD24-GPE
Rated input	100~240V AC (50/60Hz), 0.4A
Rated output	24V DC, 0.75A
Operating temp. Humidity	0~40°C 10~85%RH (without freezing or dew condensation)
Coed length	DC output cord and AC input cord, approx. 1.8m each



● For your safety, read the instruction manual carefully before using this product. ● Never use this product in hazardous area requiring explosion proof measures. ● A high voltage is applied on this product. Make sure that water, oil, etc., do not come in contact. ● Avoid condensation as it can result in electric shock or product damage. ● Keep away metal objects such as tools or wires, or body parts such as fingers, hands, or face from the discharge needle due to applied high voltage.

● For improvements, the product specifications, size, price and other information may be subject to change without prior notice.

Distributed by

VESSEL Co., Inc.

17-25, Fukae-kita 2-chome, Higashinari-ku, Osaka 537-0001 JAPAN
Tel : +81(0)6 6976 7778 Fax : +81(0)6 6972 9441

VESSEL EUROPE

6, avenue du 1er Mai, ZAE Les Glaises, 91120 Palaiseau FRANCE
Tel : +33(0)1 69 19 17 42 Fax : +33(0)1 69 19 42 20

E-mail : export@vessel.co.jp URL : http://www.vessel.co.jp/english/

Printed in Japan

18101521.02

Static Electricity Removal

New

High Power Ionizing Bar CE RoHS
No. HPB- series

For highly charged or fast moving products

- Super slim model, design for installation in a cramped space
- Titanium needle electrode, with less electric corrosion wear
- Silicone shielded high voltage cable, flexible and durable.
- Ion balance adjustment, Anomaly detection, Automatic stop, and Alarm output can be set with the high voltage power unit No. GP-1 4kV (option)
- Air Assist Bar is also available as option.



Newly Developed

[Option]
High Voltage Power Supply Unit
No. **GP-1 4kV**

[Option]
Power Adaptor
No. AD24-GP
No. AD24-GPE



Common Frequency Type
High Voltage Power Supply
STATBUSTER

OUTPUT 4kV

Use this product with the GP-1 4kV.

Removal of static electricity and dust in the following applications:
Bag-making / Film packing / Molding / Robotic conveyance and pick-up / Food container

Recommended to change the existing ionizing bars to this newly developed HPB series.

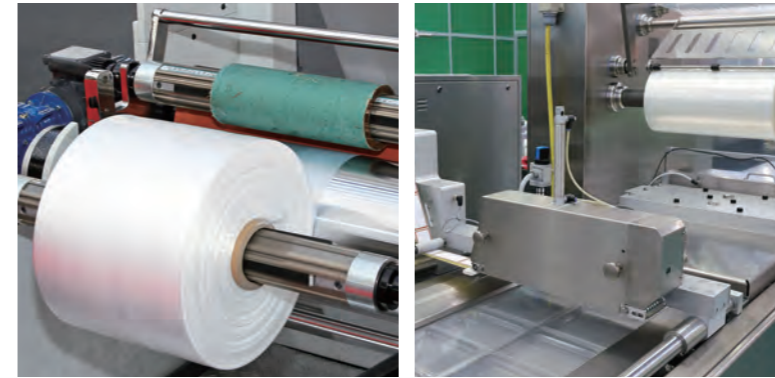
■ Titanium discharge needles

A titanium needle is more wear-resistant and have a longer lifetime than a regular stainless steel. The needles are located every 15mm on the bar, allowing to generate many ions effectively. This design is suitable for a high speed application.

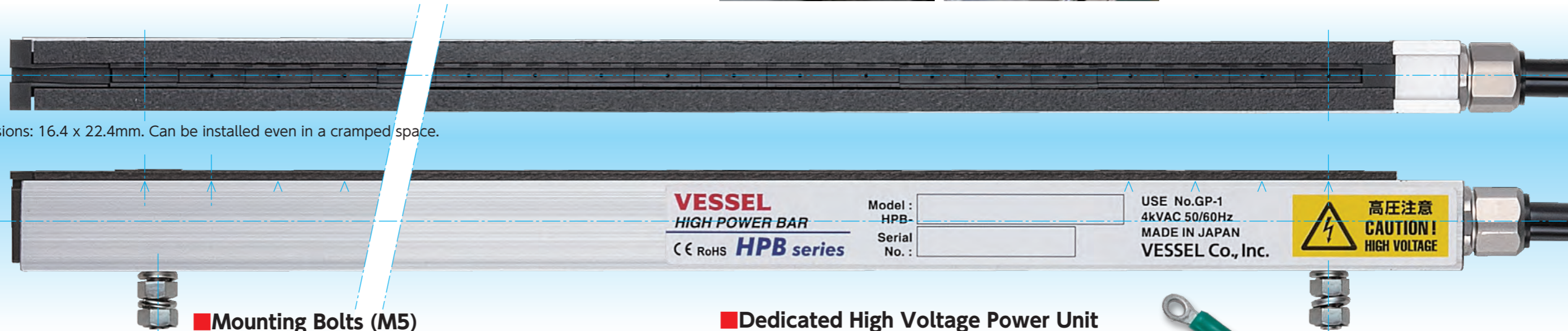
■ Super Slim

The sectional dimensions: 16.4 x 22.4mm. Can be installed even in a cramped space.

■ Applications



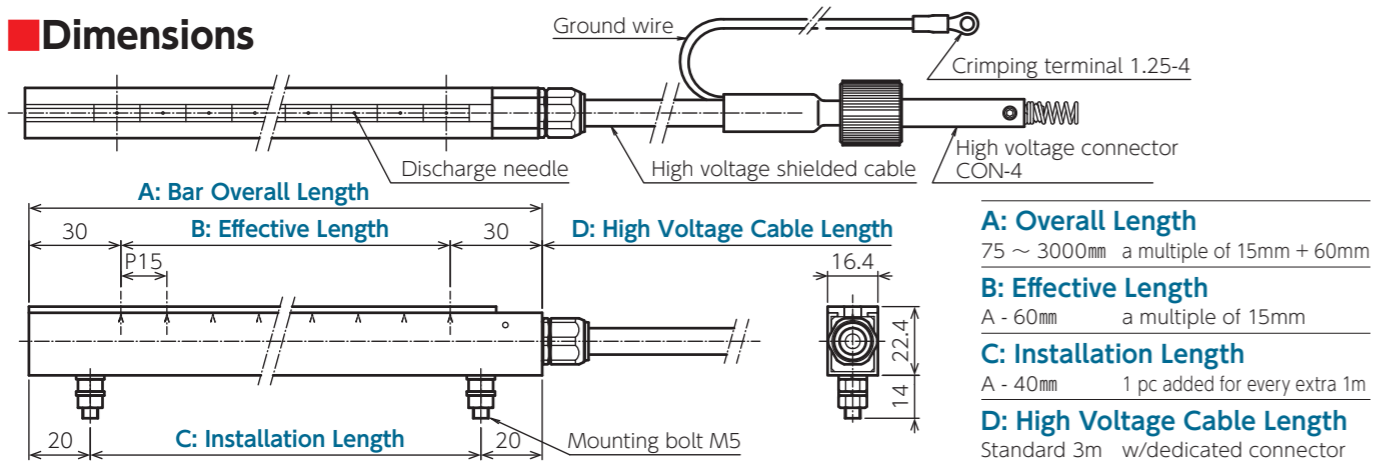
- Dust adhesion: Peeling charge on a winding/unwinding machine or during a vacuum forming
- Cutting chip adhesion: Slitter winding, cutting machine
- Static mark: Electric discharge during film conveyance
- Electric shock to a human: Electric discharge from a roll due to static electricity accumulation
- Ink flick: Peeling charge on a roller and a film
- Noise: Error on an inspection machine due to static electricity
- Stacking error: Stacking process of a sheet in a printing machine
- Creases and meandering: Winding process on an inflation molding machine



■ Mounting Bolts (M5)

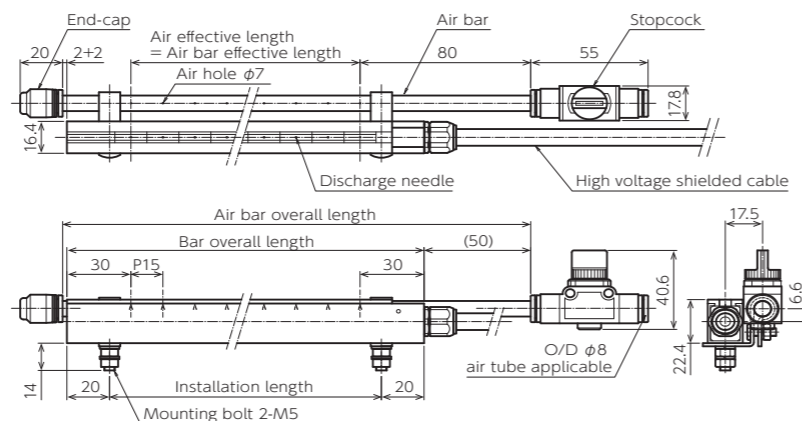
2 pieces (standard accessory, included).
1 more every time the total length exceeds 1 m.

■ Dimensions



■ Air Assist Bar (No.AAB-)

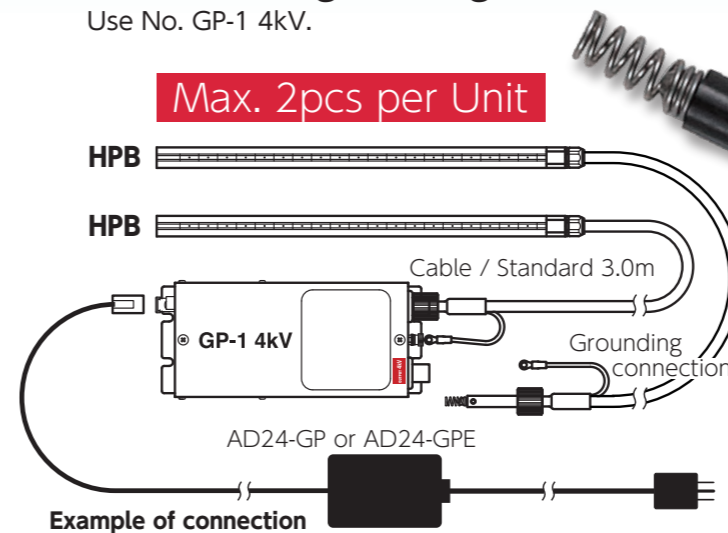
Please inquire us for this custom-made item. (Illustration of an example on the right)



■ Dedicated High Voltage Power Unit

Use No. GP-1 4kV.

Max. 2pcs per Unit



■ High Voltage Shielded Cable

As the high voltage cable is shielded, there is no need for further ground.

■ Specifications

Model No.	No. of Discharge Needle	Weight (kg)	Overall Length A (mm)	Effective Length B (mm)	Installation Length C (mm)	EDP No.
HPB-300	17	0.16	300	240	260	623316
HPB-600	37	0.32	600	540	560	623336
HPB-810	51	0.44	810	750	770	623350
HPB-1005	64	0.54	1005	945	965	623363
HPB-1200	77	0.65	1200	1140	1160	623376
HPB-1500	97	0.81	1500	1440	1460	623396
HPB-1800	117	0.97	1800	1740	1760	623416