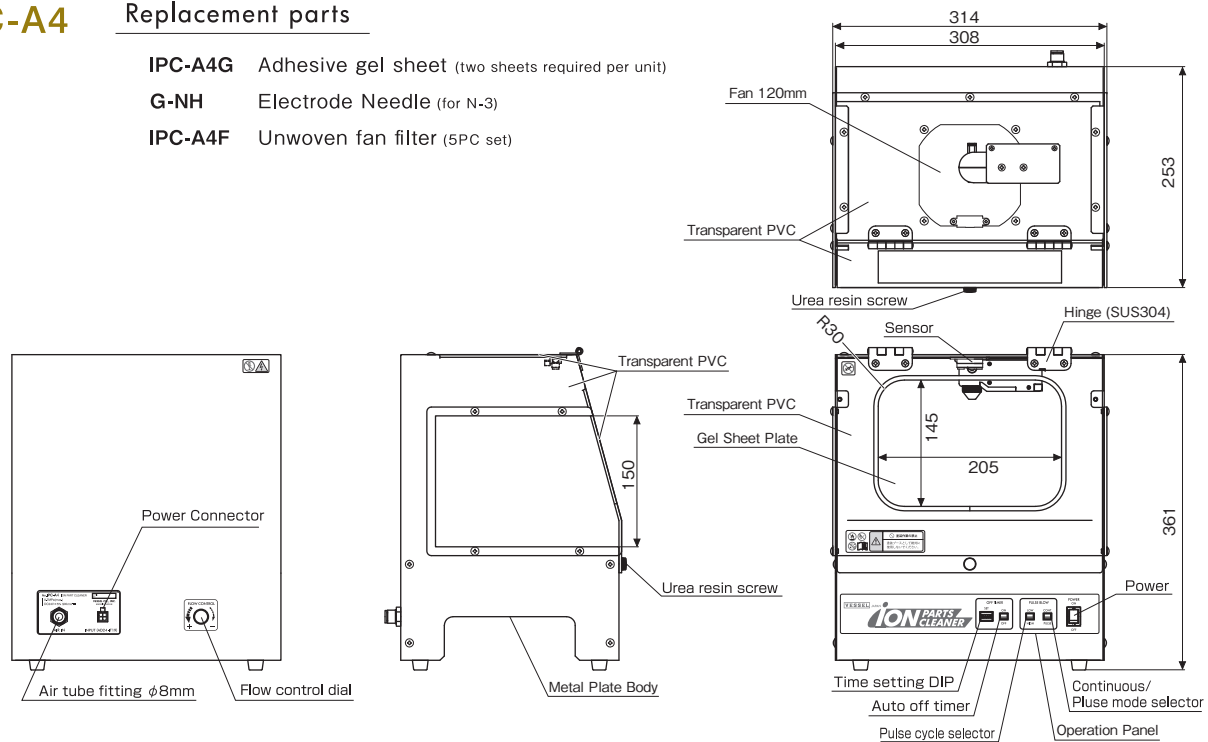


External dimensions

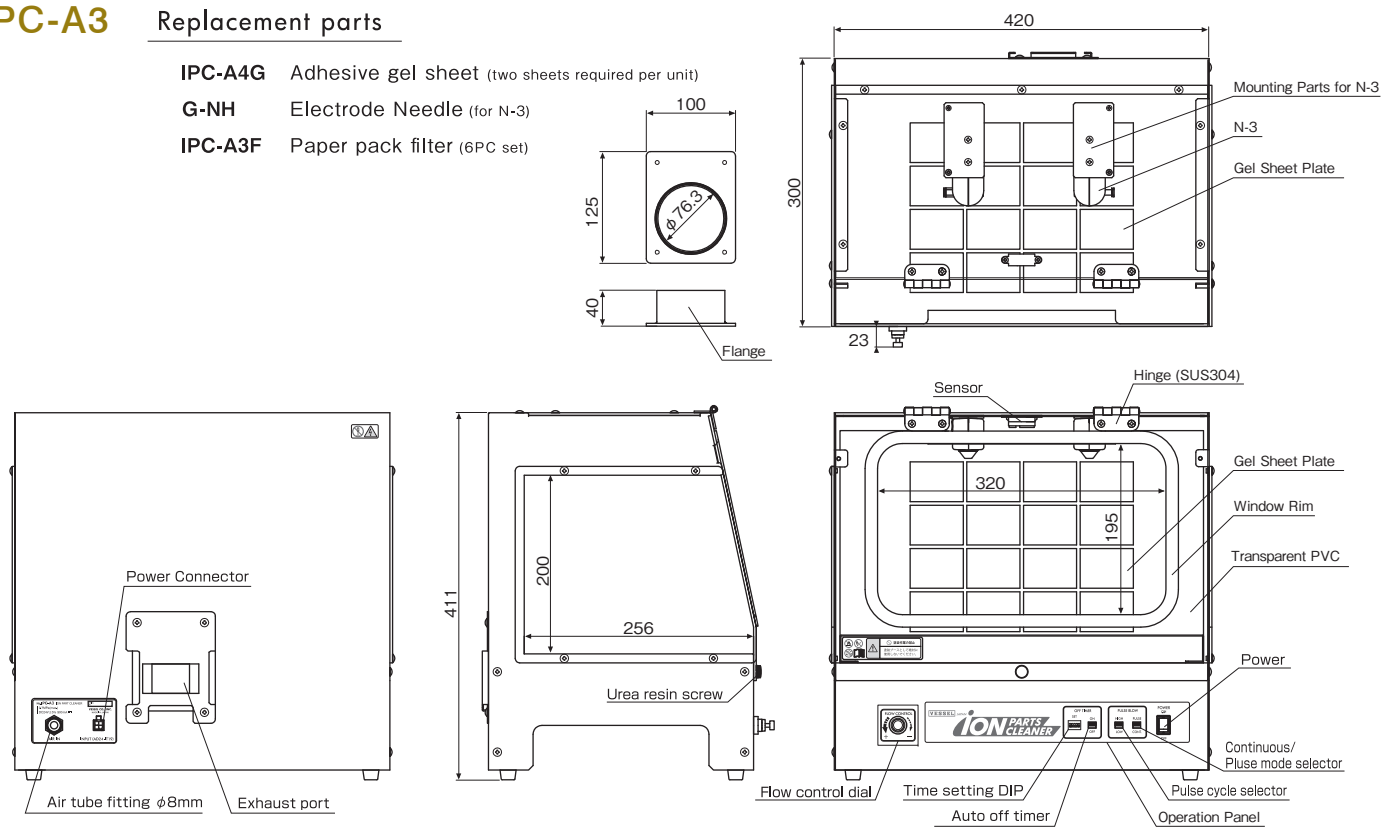
IPC-A4 Replacement parts

- IPC-A4G Adhesive gel sheet (two sheets required per unit)
- G-NH Electrode Needle (for N-3)
- IPC-A4F Unwoven fan filter (5PC set)



IPC-A3 Replacement parts

- IPC-A4G Adhesive gel sheet (two sheets required per unit)
- G-NH Electrode Needle (for N-3)
- IPC-A3F Paper pack filter (6PC set)



※A dust collector should not be connected to the exhaust duct. A load will be applied on the internal fan and lead to faults.

- Warning**
- Read the instruction manual carefully before use.
 - Do not use Ion Parts Cleaner for other purpose than the static erasing or dust removal.
 - To avoid fires or accidents, never let Ion Parts Cleaner vacuum up flames, explosive dust, or dust containing liquid or mist.
 - To avoid failure or malfunction, never let Ion Parts Cleaner vacuum up damp dust or any moisture such as water or oil.
 - Never use Ion Parts Cleaner for different kinds of dust which may cause reaction, fires, accidents, or else, as a result of mixture.
 - Do not use Ion Parts Cleaner as a painting booth. Do not perform painting work with Ion Parts Cleaner.

●For improvements, the product specifications, size, price and other information may be subject to change without prior notice.

Distributed by

Manufactured by
VESSEL Co., Inc.
 17-25, Fukae-kita 2-chome, Higashinari-ku, Osaka 537-0001 JAPAN
 Tel : +81(0)6 6976 7778 Fax : +81(0)6 6972 9441
VESSEL EUROPE
 6, avenue du 1er Mai, ZAE Les Glaises, 91120 Palaiseau FRANCE
 Tel : +33(0)1 69 19 17 42 Fax : +33(0)1 69 19 42 20
 E-mail : export@vessel.co.jp URL : http://www.vessel.co.jp/english/

Printed in Japan
 16041521.005

VESSEL
 Let us think.

User-friendly and compact system
 for ionizing and dust collection

NEW **IPC-A3**



NEW **IPC-A4**



CE RoHS

ION PARTS CLEANER

IPC-A3 IPC-A4

Ion Parts Cleaner Series

PAT.

No need to go to a dust collector bench.
Contributes to streamlining in the cell or line production.

Considerably less power consumption

Running costs are greatly reduced as a dust collector is no longer required. Air consumption can be further reduced by using pulse blow.

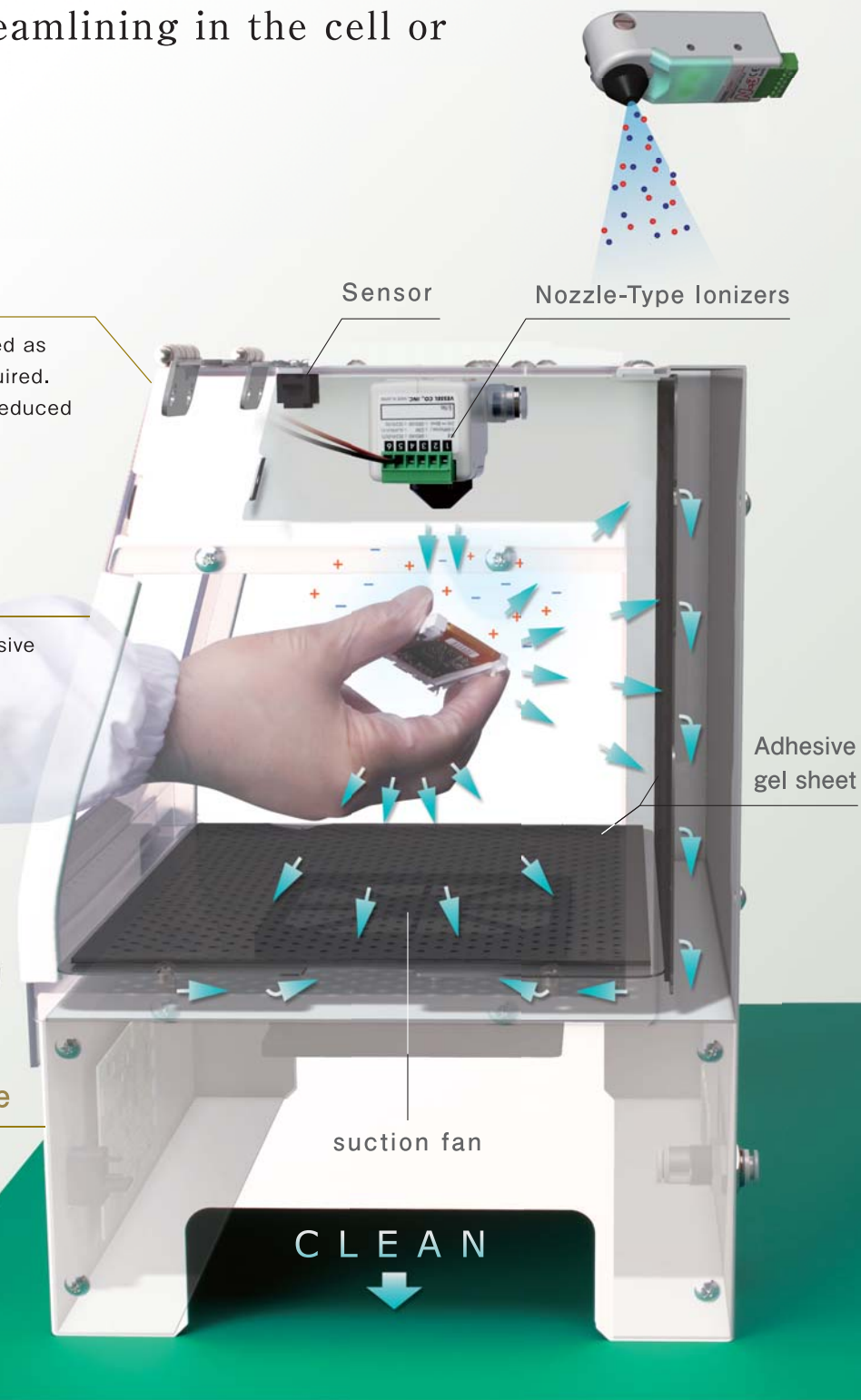
Easy maintenance

Dust is collected on the self-adhesive urethane gel sheet. Just wash the sheet off with water to restore the adhesiveness.



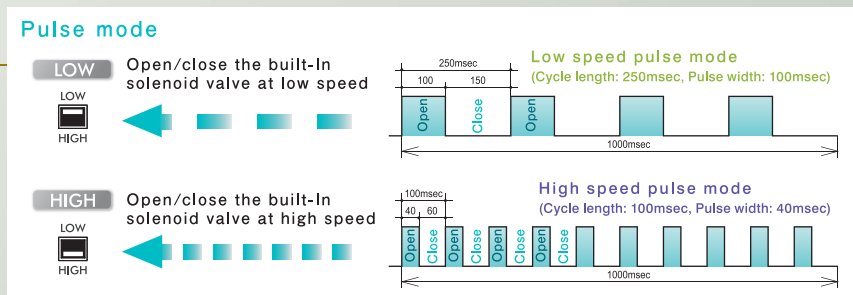
Set the ionizing blow time

Can set the time to stop the ionizing blow after the sensor detects the workpiece. (1 / 2 / 5 / 10 or 30 sec.)



Powerful dust removal pulse blow

Pulse mode enables more efficient dust removal by intermittent air blow. Select the pulse mode (High /Low) in accordance with your application.



NEW IPC-A4



CE RoHS

EDP No.621610

Eco-friendly product

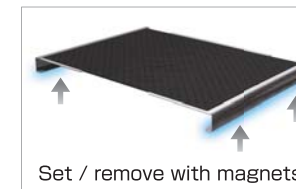
Application examples

- Removing static electricity and dust from the following products:
 - substrate
 - semiconductor devices
 - optical lenses
 - housing of mobile phone or smart-phone
 - parts before assembly etc.



New functions

- The flow control dial on the backside enables to adjust the ion airflow.
- The adhesive gel sheet plate with magnets can be easily attached and detached.



Specifications

Model No.	IPC-A4
Dust collection method	Self-adhesive polyurethane gel sheets and non-woven fabric filter
Input voltage	DC 24V ±5% (Power supply transformer : AC100V~240V, 50/60Hz)
Power output	17W
Consumption current	700mA
Air flow	3.5 m ³ /min (Built-in fan)
Static pressure	105Pa (Built-in fan)
Ionizer	Super slim nozzle type ionizer N-3 ×1pc
Applied fluid	Clean air (0.1~0.5 MPa)
Air consumption	approx.150 ℓ /min (0.3MPa,continuous operation)
Air hose	O.D. φ 8 mm
Noise	86.5 dB A (0.3 MPa)
Working temperature/ Humidity Range	5 to 40°C / 35 to 65 %RH (No dew or freezing)
Dimensions	314W×253D×361Hmm
Weight	6kg
Materials	Booth: Steel, Rigid PVC plates Plates: Stainless steel Adhesive gel: Polyurethane
Accessories	Power supply transformer

NEW IPC-A3



CE RoHS

EDP No.621612

Eco-friendly product

Application examples

- Cleaning part trays.
- Removing static electricity and dust removal
 - before UV protection process
 - before silk printing
 - before packaging etc.



New functions

- A paper pack filter can be attached to the exhaust port on the rear side (standard). A φ75mm exhaust duct can be connected by exchanging the flange
- The flow control dial enables to adjust the ion airflow.
- Replaceable nozzle suitable for pinpoint dust removal is included as accessory.

Specifications

Model No.	IPC-A3
Dust collection method	Self-adhesive polyurethane gel sheets and paper pack filter
Input voltage	DC 24V ±5% (Power supply transformer : AC100V~240V, 50/60Hz)
Power output	22W
Consumption current	900mA
Air flow	1.13 m ³ /min (Built-in fan)
Static pressure	460Pa (Built-in fan)
Ionizer	Super slim nozzle type ionizer N-3 ×2pcs.
Applied fluid	Clean air (0.1~0.7MPa)
Air consumption	approx.190 ℓ /min (0.3MPa,continuous operation)
Air hose	O.D. φ 8mm
Noise	70.0 dB A (0.3MPa)
Working temperature/ Humidity Range	5 to 40°C / 35 to 65 %RH (No dew or freezing)
Dimensions	420W×300D×411Hmm
Weight	9.5kg
Materials	Booth: Steel, Rigid PVC plates Plates: Stainless steel Adhesive gel: Polyurethane
Accessories	Power supply transformer Duct flange (for φ75mm), Paper pack filter (6pc.)